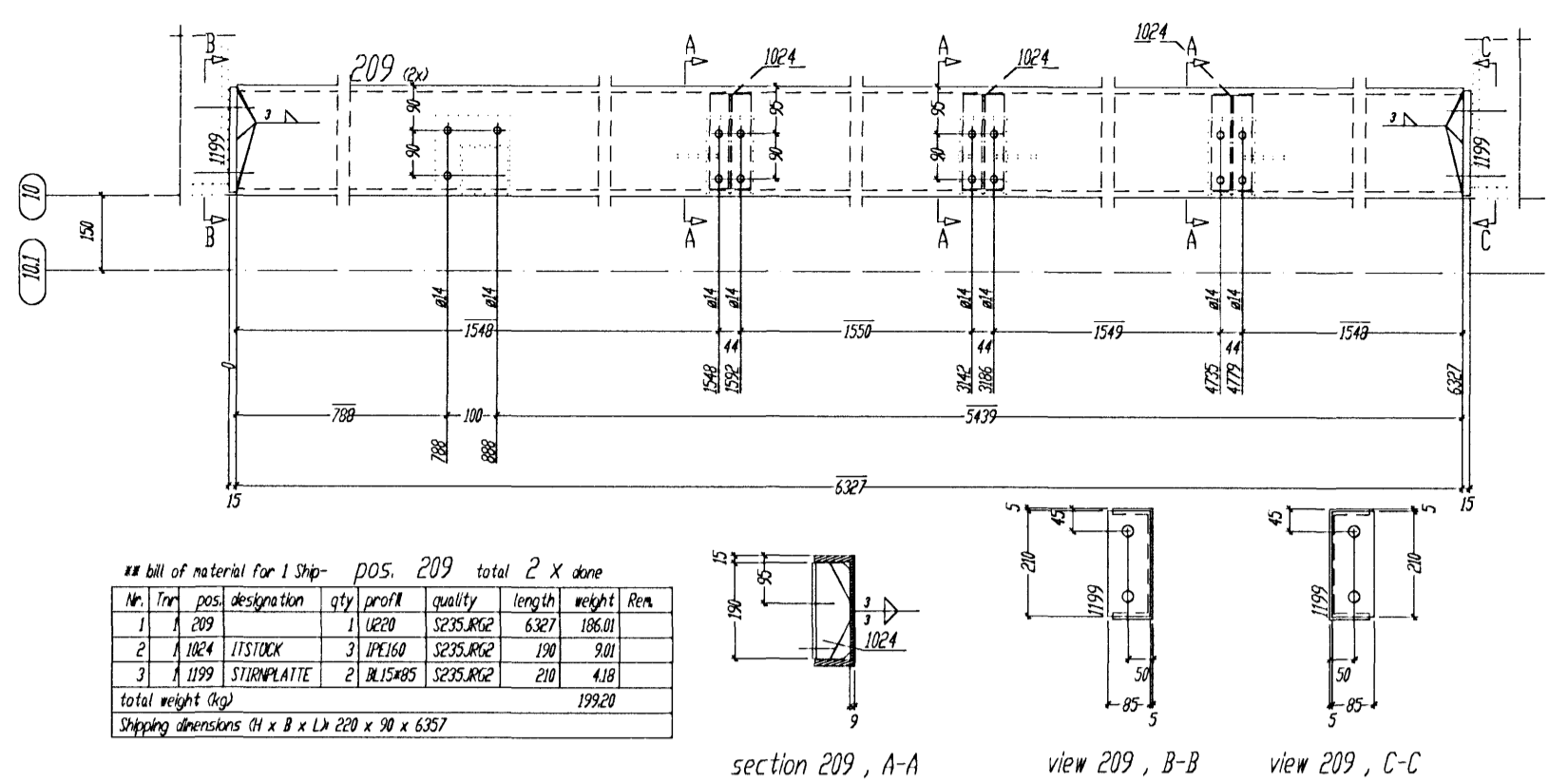


Bygginguáttir  
Ár 2008  
18 FEB 2008  
VKS

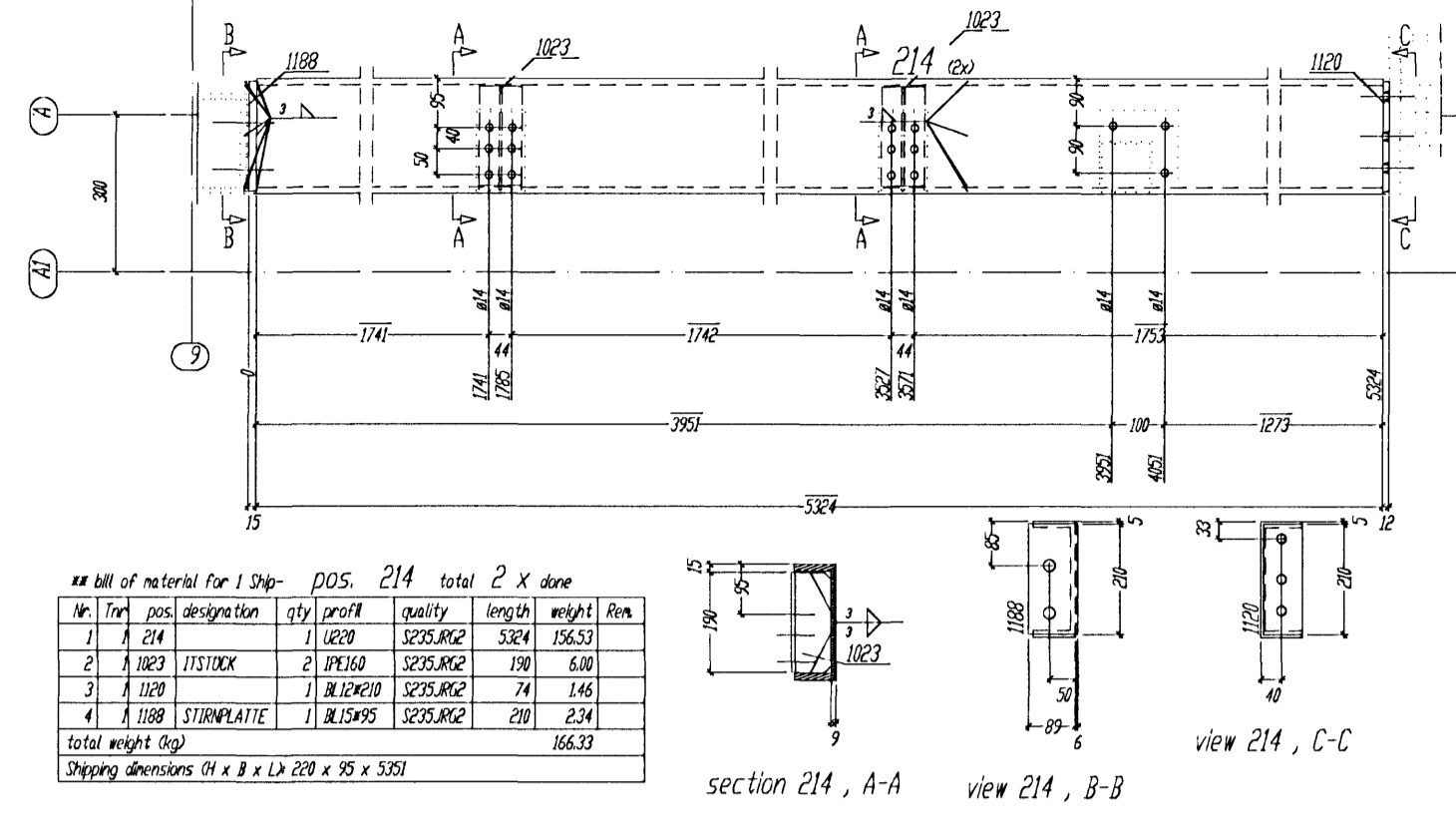


## Bill of material for 1 Ship- pos. 209 total 2 X done

Nr.	Pos.	Designation	Qty	Profile	Quality	Length	Weight	Dim.
1	A 209	1 UEB9	2	SEPS.A62	5367	186.61		
2	A 1082	1 I15100K	2	PE160	SEPS.A62	190	6.00	
3	A 1187	1 STUMPLATE	1	BL15405	SEPS.A62	290	2.34	
4	A 1188	1 STUMPLATE	1	BL15405	SEPS.A62	290	2.34	
Total weight (kg)							199.69	

Shipping dimensions (H x B x L) 200 x 95 x 6307

section 209, A-A view 209, B-B view 209, C-C

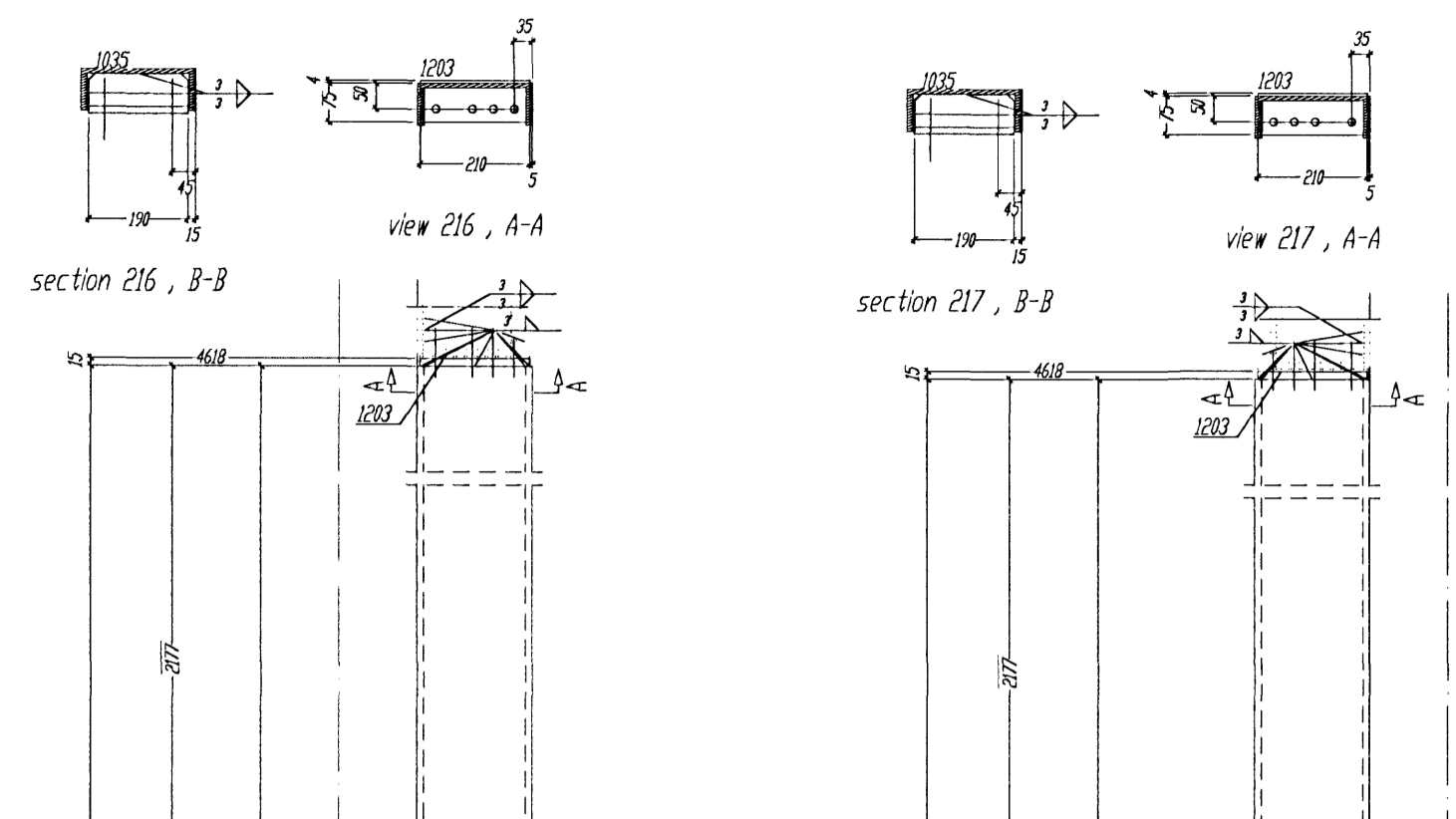


## Bill of material for 1 Ship- pos. 214 total 2 X done

Nr.	Pos.	Designation	Qty	Profile	Quality	Length	Weight	Dim.
1	A 214	1 UEB9	2	SEPS.A62	5364	186.53		
2	A 1082	1 I15100K	2	PE160	SEPS.A62	190	6.00	
3	A 1187	1 STUMPLATE	1	BL15405	SEPS.A62	290	2.34	
4	A 1188	1 STUMPLATE	1	BL15405	SEPS.A62	290	2.34	
Total weight (kg)							186.53	

Shipping dimensions (H x B x L) 200 x 95 x 5301

section 214, A-A view 214, B-B view 214, C-C

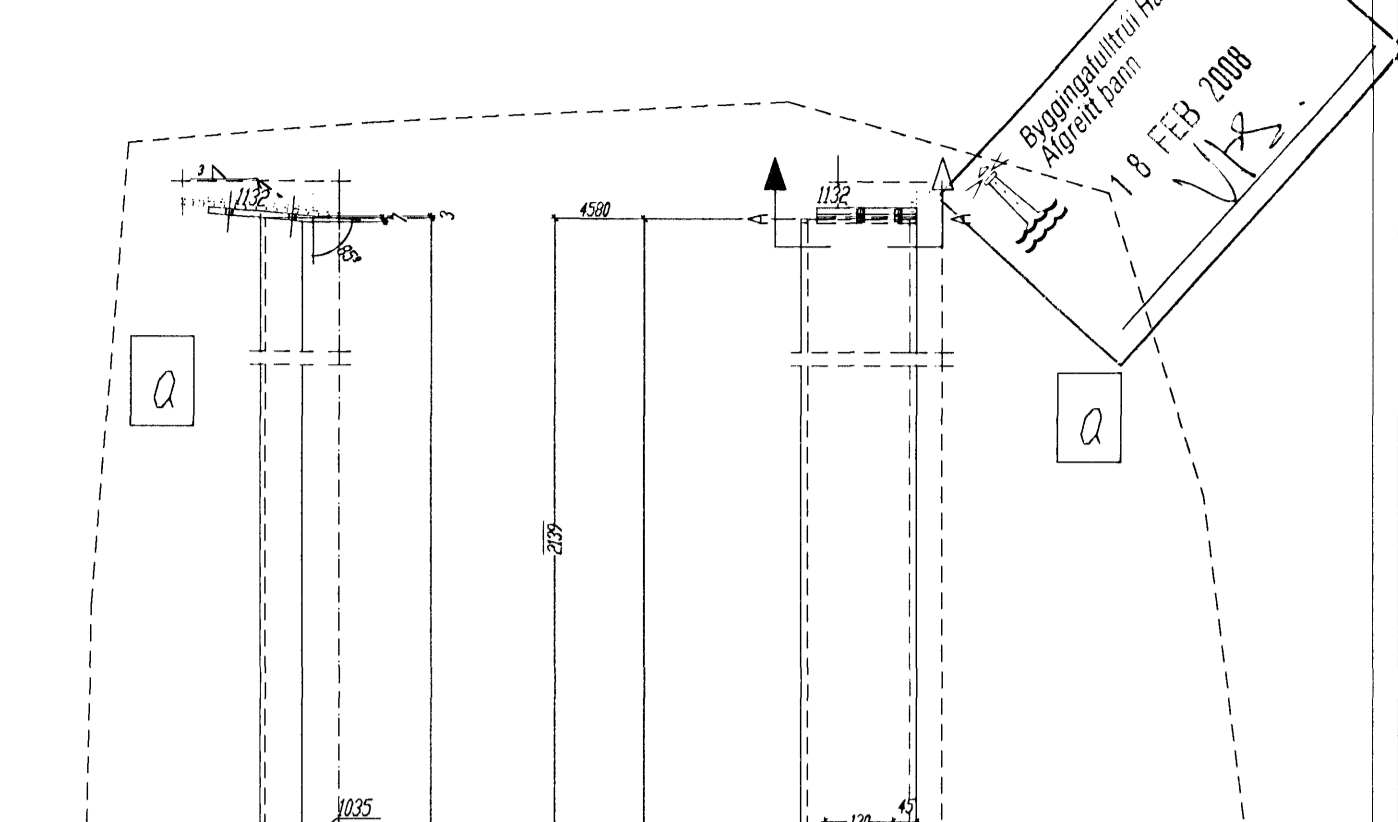


## Bill of material for 1 Ship- pos. 216 total 1 X done

Nr.	Pos.	Designation	Qty	Profile	Quality	Length	Weight	Dim.
1	A 216	1 UEB9	1	SEPS.A62	4618	155.77		
2	A 1082	1 I15100K	2	PE160	SEPS.A62	190	6.00	
3	A 1187	1 STUMPLATE	1	BL15405	SEPS.A62	290	2.34	
4	A 1188	1 STUMPLATE	1	BL15405	SEPS.A62	290	2.34	
Total weight (kg)							148.31	

Shipping dimensions (H x B x L) 200 x 90 x 4633

section 216, A-A view 216, B-B view 216, C-C

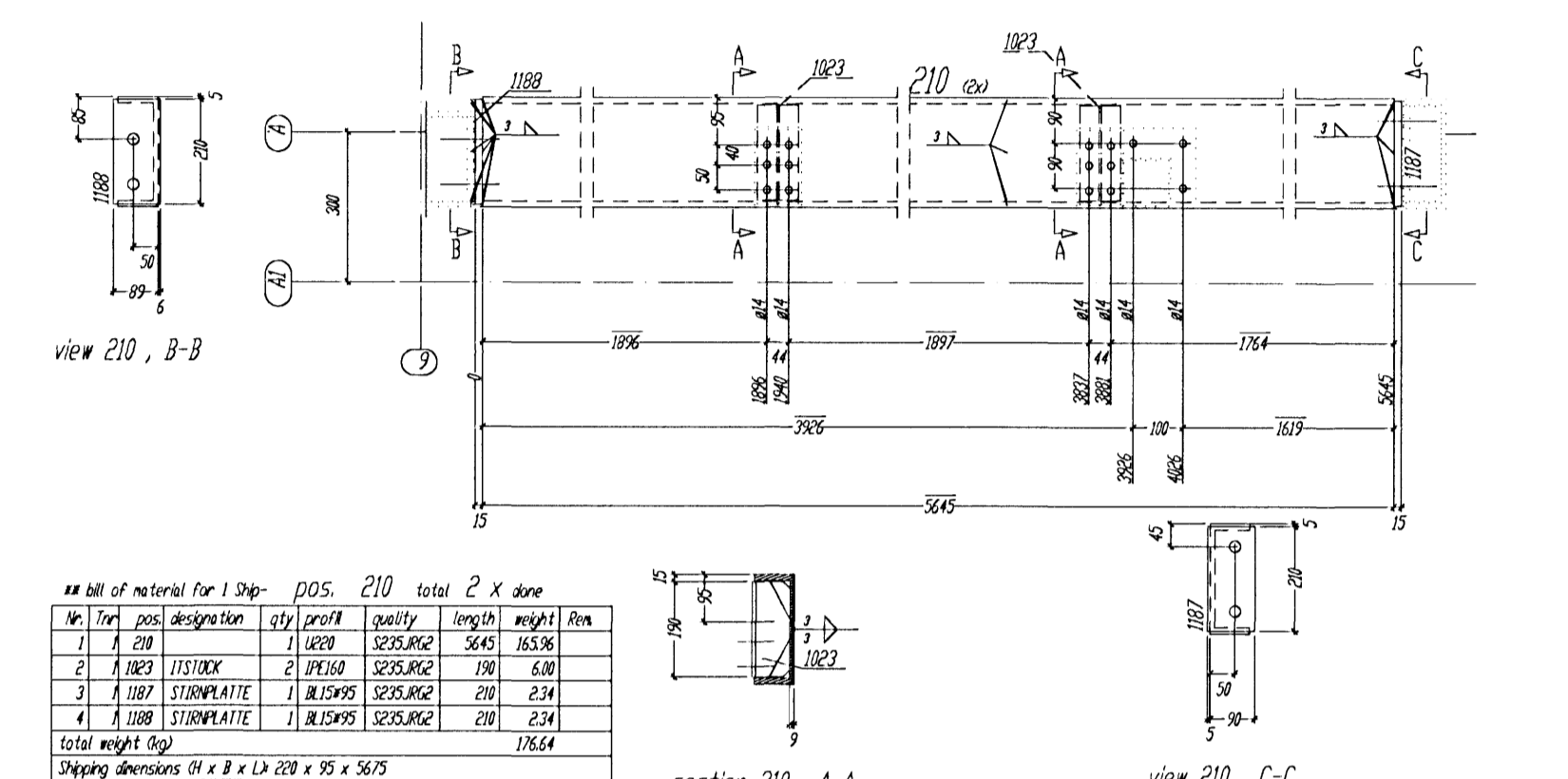


## Bill of material for 1 Ship- pos. 217 total 1 X done

Nr.	Pos.	Designation	Qty	Profile	Quality	Length	Weight	Dim.
1	A 217	1 UEB9	1	SEPS.A62	4618	155.77		
2	A 1082	1 I15100K	2	PE160	SEPS.A62	190	6.00	
3	A 1187	1 STUMPLATE	1	BL15405	SEPS.A62	290	2.34	
4	A 1188	1 STUMPLATE	1	BL15405	SEPS.A62	290	2.34	
Total weight (kg)							148.31	

Shipping dimensions (H x B x L) 200 x 90 x 4633

section 217, A-A view 217, B-B view 217, C-C

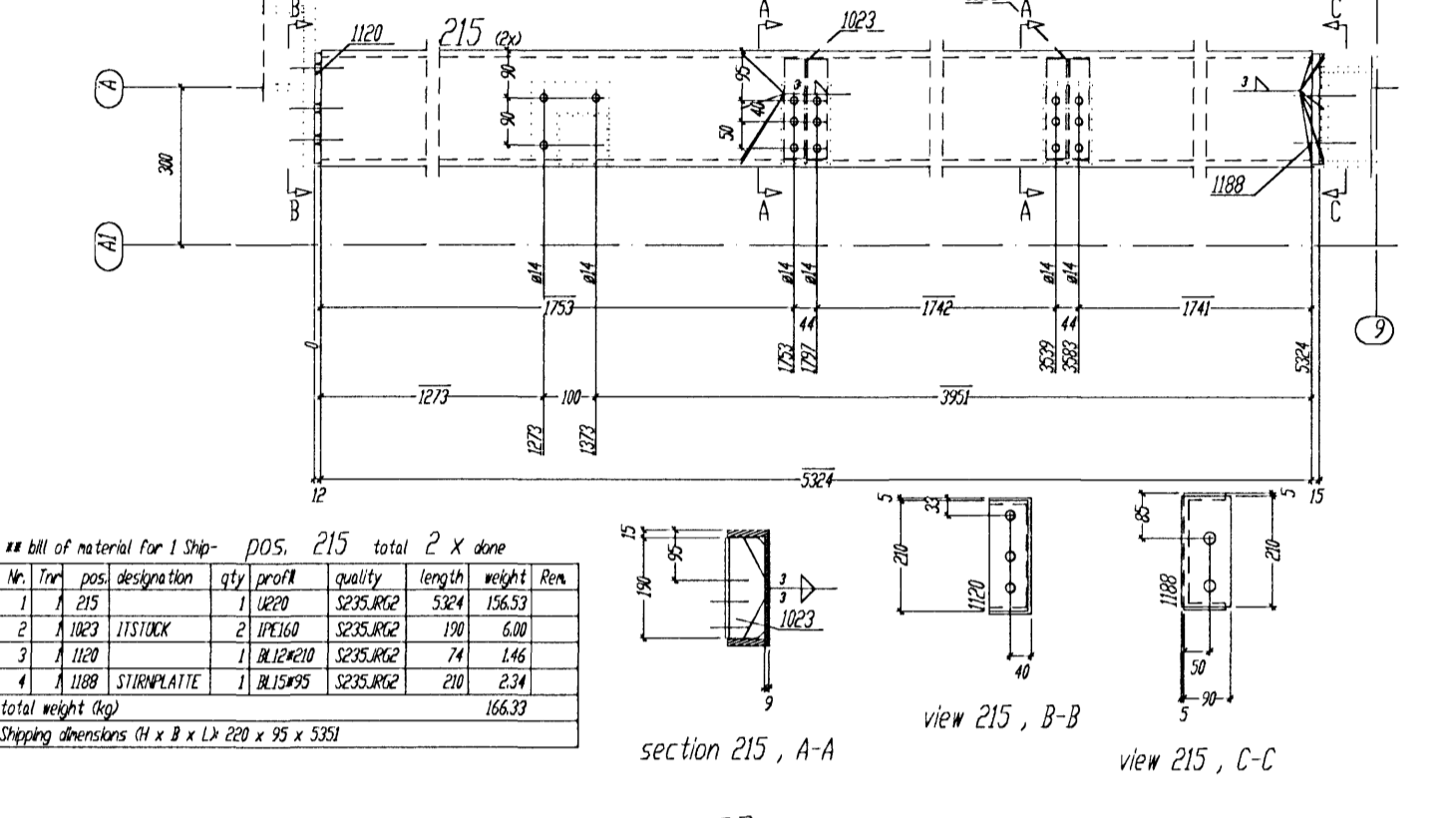


## Bill of material for 1 Ship- pos. 210 total 2 X done

Nr.	Pos.	Designation	Qty	Profile	Quality	Length	Weight	Dim.
1	A 210	1 UEB9	2	SEPS.A62	5645	183.36		
2	A 1082	1 I15100K	2	PE160	SEPS.A62	190	6.00	
3	A 1187	1 STUMPLATE	1	BL15405	SEPS.A62	290	2.34	
4	A 1188	1 STUMPLATE	1	BL15405	SEPS.A62	290	2.34	
Total weight (kg)							176.64	

Shipping dimensions (H x B x L) 200 x 95 x 5645

section 210, A-A view 210, B-B view 210, C-C

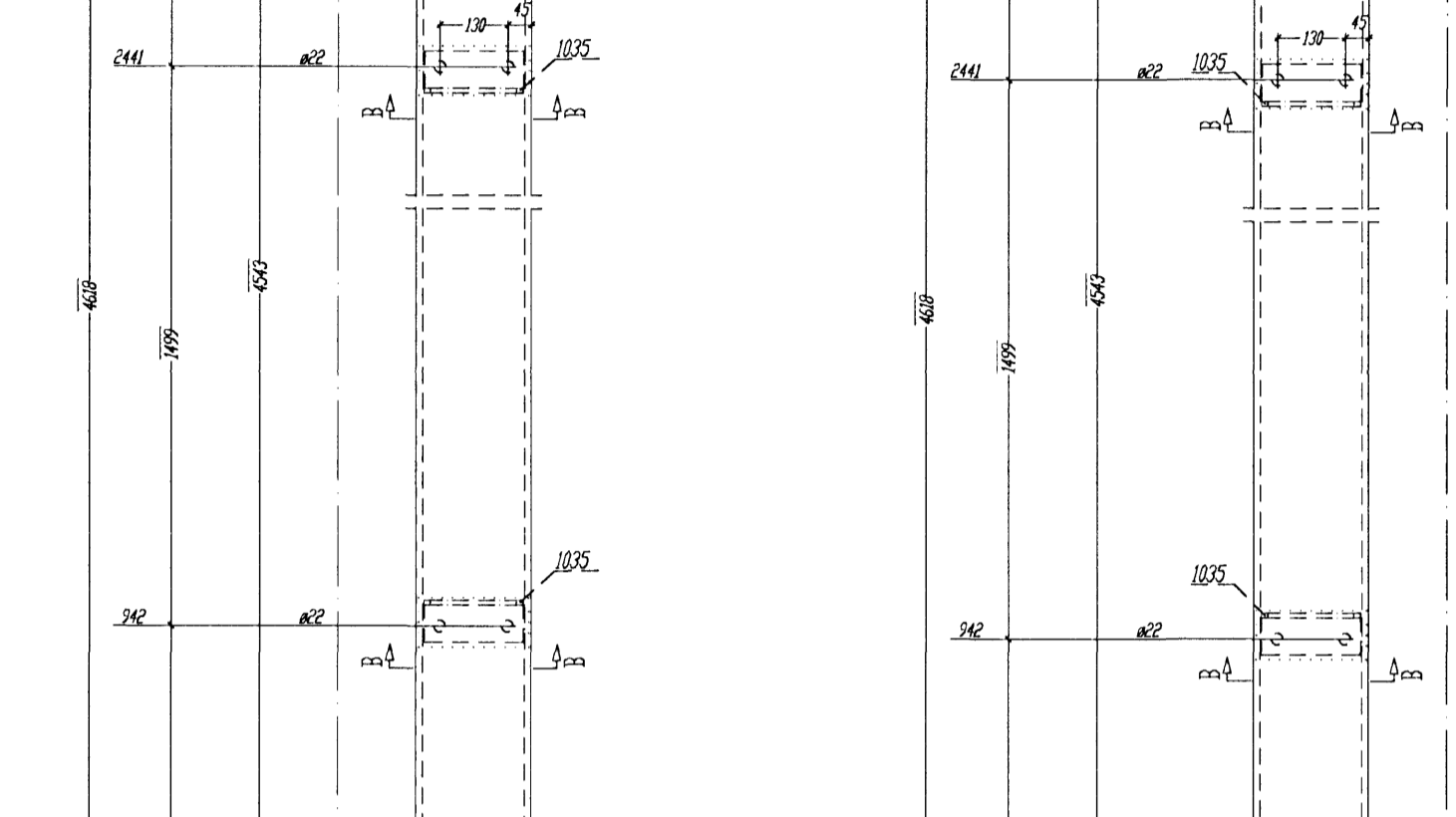


## Bill of material for 1 Ship- pos. 215 total 2 X done

Nr.	Pos.	Designation	Qty	Profile	Quality	Length	Weight	Dim.
1	A 215	1 UEB9	2	SEPS.A62	5645	183.36		
2	A 1082	1 I15100K	2	PE160	SEPS.A62	190	6.00	
3	A 1187	1 STUMPLATE	1	BL15405	SEPS.A62	290	2.34	
4	A 1188	1 STUMPLATE	1	BL15405	SEPS.A62	290	2.34	
Total weight (kg)							176.64	

Shipping dimensions (H x B x L) 200 x 95 x 5645

section 215, A-A view 215, B-B view 215, C-C



## Bill of material for 1 Ship- pos. 219 total 1 X done

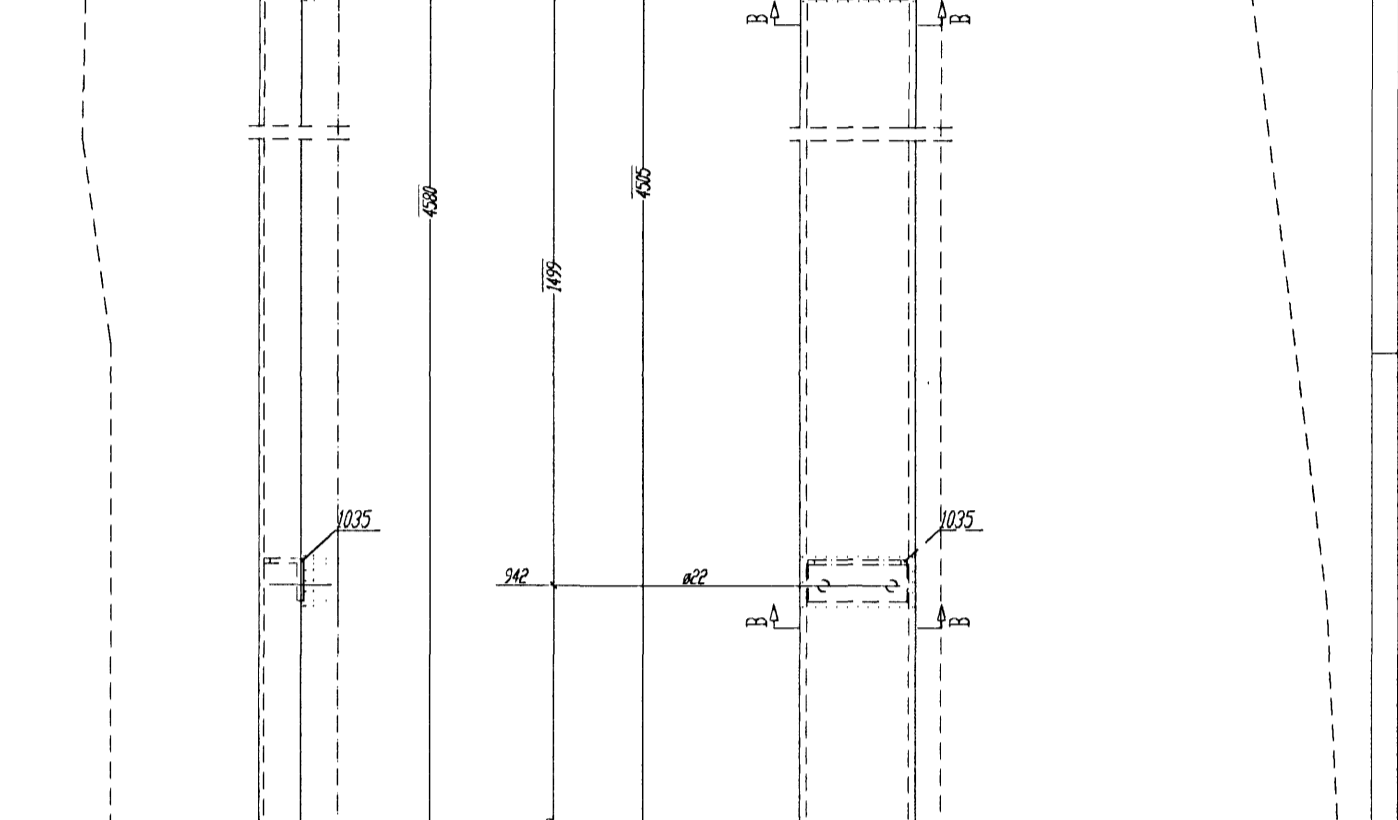
Nr.	Pos.	Designation	Qty	Profile	Quality	Length	Weight	Dim.
1	A 219	1 UEB9	1	SEPS.A62	4618	155.77		
2	A 1082	1 I15100K	2	PE160	SEPS.A62	190	6.00	
3	A 1187	1 STUMPLATE	1	BL15405	SEPS.A62	290	2.34	
4	A 1188	1 STUMPLATE	1	BL15405	SEPS.A62	290	2.34	
Total weight (kg)							148.31	

Shipping dimensions (H x B x L) 200 x 90 x 4633

## Bill of material for 1 Ship- pos. 217 total 1 X done

Nr.	Pos.	Designation	Qty	Profile	Quality	Length	Weight	Dim.
1	A 217	1 UEB9	1	SEPS.A62	4618	155.77		
2	A 1082	1 I15100K	2	PE160	SEPS.A62	190	6.00	
3	A 1187	1 STUMPLATE	1	BL15405	SEPS.A62	290	2.34	
4	A 1188	1 STUMPLATE	1	BL15405	SEPS.A62	290	2.34	
Total weight (kg)							148.31	

Shipping dimensions (H x B x L) 200 x 90 x 4633

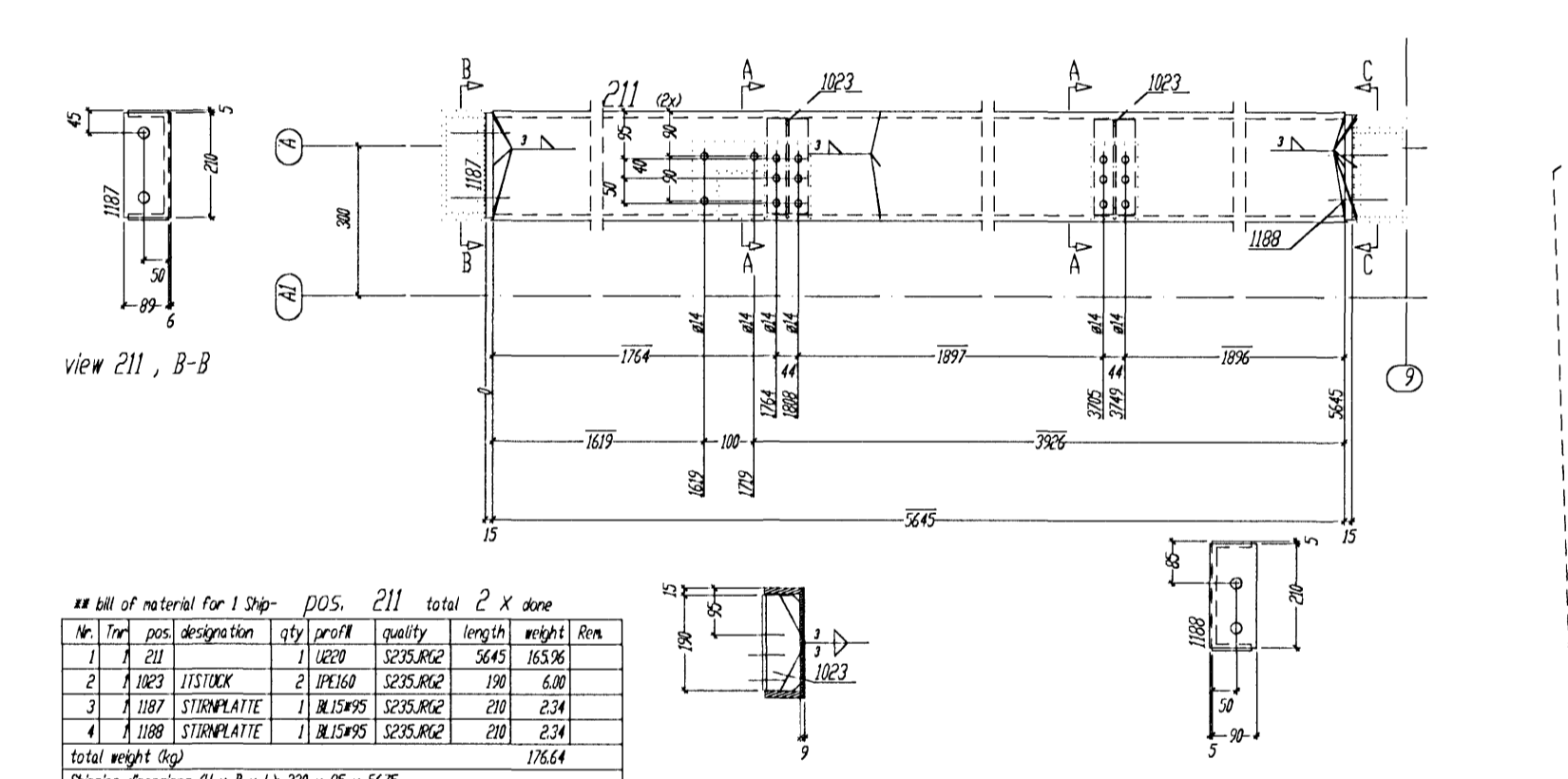


## Bill of material for 1 Ship- pos. 218 total 1 X done

Nr.	Pos.	Designation	Qty	Profile	Quality	Length	Weight	Dim.
1	A 218	1 UEB9	1	SEPS.A62	4601	154.65		
2	A 1082	1 I15100K	2	PE160	SEPS.A62	190	6.00	
3	A 1187	1 STUMPLATE	1	BL15405	SEPS.A62	290	2.34	
4	A 1188	1 STUMPLATE	1	BL15405	SEPS.A62	290	2.34	
Total weight (kg)							153.42	

Shipping dimensions (H x B x L) 200 x 200 x 4601

section 218, A-A view 218, B-B view 218, C-C

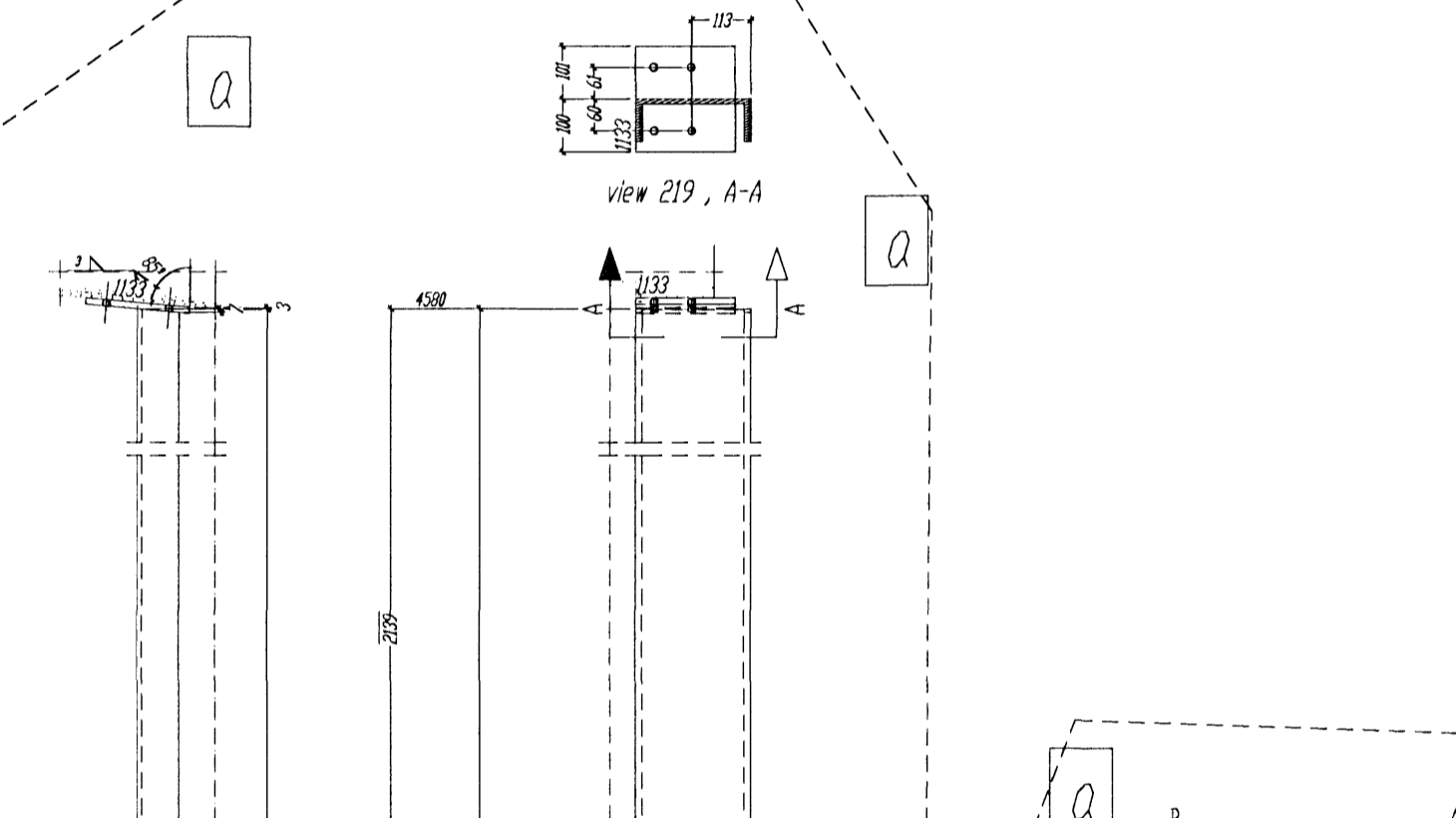


## Bill of material for 1 Ship- pos. 211 total 2 X done

Nr.	Pos.	Designation	Qty	Profile	Quality	Length	Weight	Dim.
1	A 211	1 UEB9	2	SEPS.A62	5645	183.36		
2	A 1082	1 I15100K	2	PE160	SEPS.A62	190	6.00	
3	A 1187	1 STUMPLATE	1	BL15405	SEPS.A62	290	2.34	
4	A 1188	1 STUMPLATE	1	BL15405	SEPS.A62	290	2.34	
Total weight (kg)							176.64	

Shipping dimensions (H x B x L) 200 x 95 x 5645

section 211, A-A view 211, B-B view 211, C-C

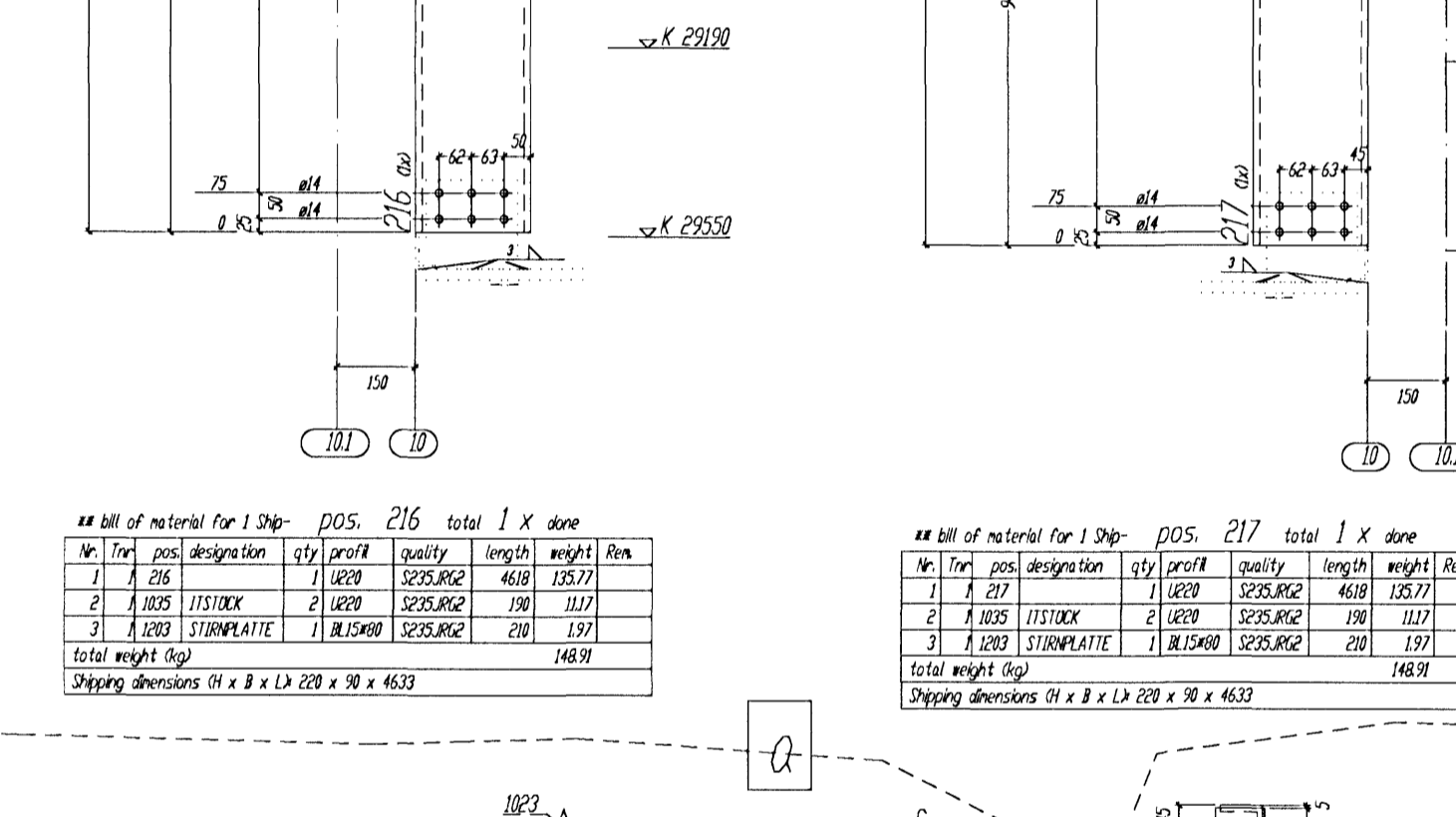


## Bill of material for 1 Ship- pos. 222 total 2 X done

Nr.	Pos.	Designation	Qty	Profile	Quality	Length	Weight	Dim.
1	A 222	1 UEB9	2	SEPS.A62	4517	151.92		
2	A 1082	1 I15100K	2	PE160	SEPS.A62	190	6.00	
3	A 1187	1 STUMPLATE	1	BL15405	SEPS.A62	290	2.34	
4	A 1188	1 STUMPLATE	1	BL15405	SEPS.A62	290	2.34	
Total weight (kg)							132.25	

Shipping dimensions (H x B x L) 200 x 95 x 4177

section 222, A-A view 222, B-B view 222, C-C

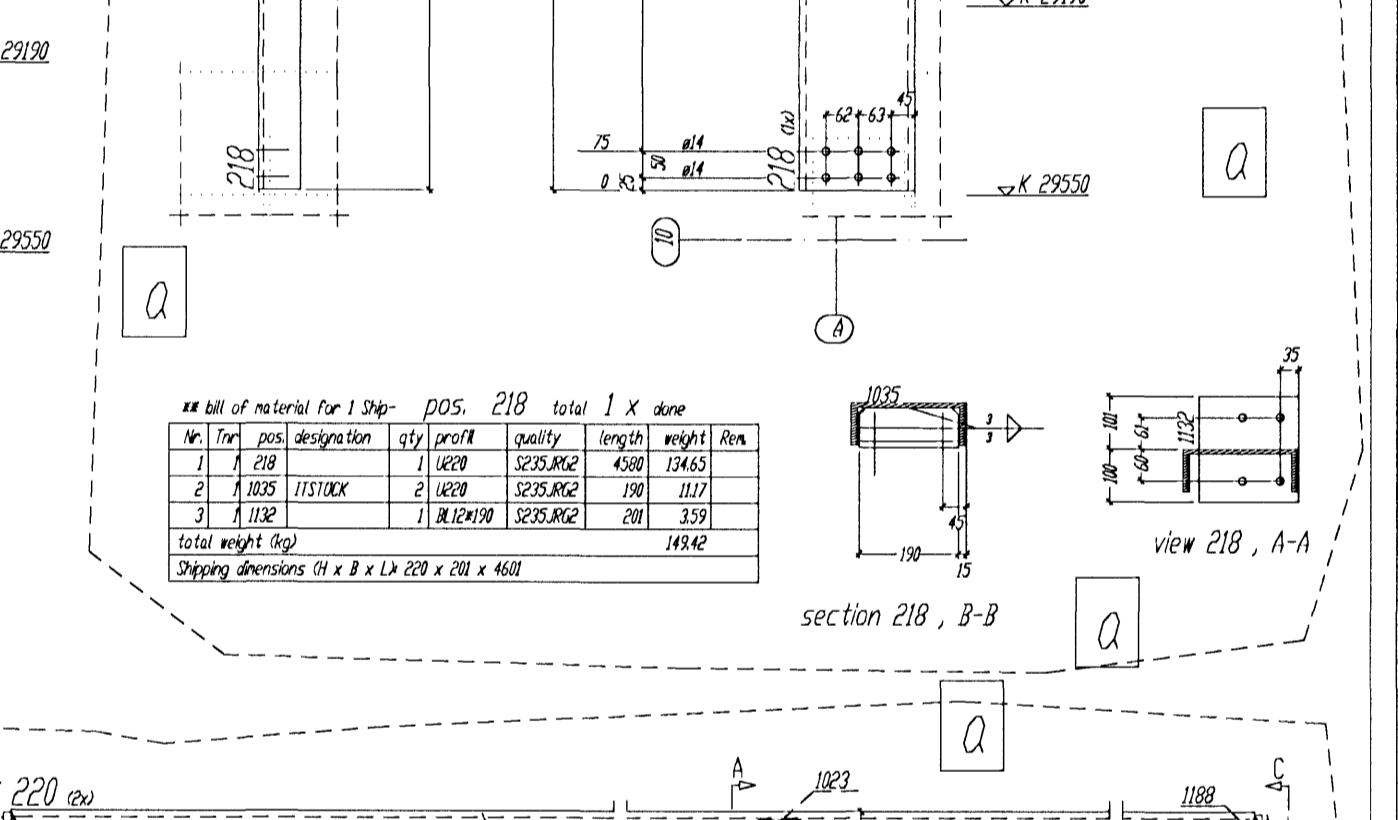


## Bill of material for 1 Ship- pos. 220 total 2 X done

Nr.	Pos.	Designation	Qty	Profile	Quality	Length	Weight	Dim.
1	A 220	1 UEB9	2	SEPS.A62	4518	152.42		
2	A 1082	1 I15100K	2	PE160	SEPS.A62	190	6.00	
3	A 1187	1 STUMPLATE	1	BL15405	SEPS.A62	290	2.34	
4	A 1188	1 STUMPLATE	1	BL15405	SEPS.A62	290	2.34	
Total weight (kg)							142.99	

Shipping dimensions (H x B x L) 200 x 95 x 4602

section 220, A-A view 220, B-B view 220, C-C

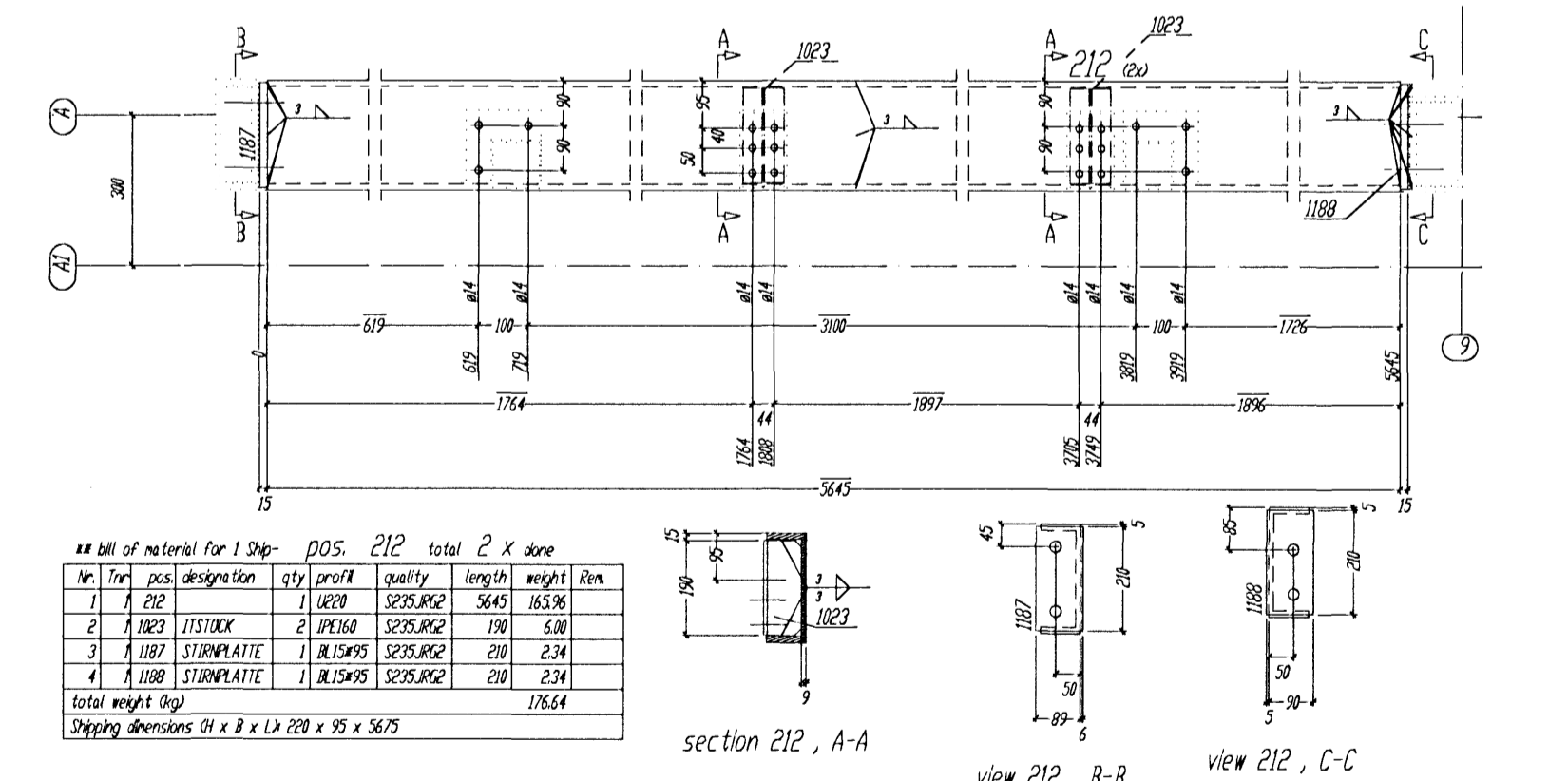


## Bill of material for 1 Ship- pos. 221 total 2 X done

Nr.	Pos.	Designation	Qty	Profile	Quality	Length	Weight	Dim.
1	A 221	1 UEB9	2	SEPS.A62	4518	152.42		
2	A 1082	1 I15100K	2	PE160	SEPS.A62	190	6.00	
3	A 1187	1 STUMPLATE	1	BL15405	SEPS.A62	290	2.34	
4	A 1188	1 STUMPLATE	1	BL15405	SEPS.A62	290	2.34	
Total weight (kg)							142.99	

Shipping dimensions (H x B x L) 200 x 95 x 4602

section 221, A-A view 221, B-B view 221, C-C

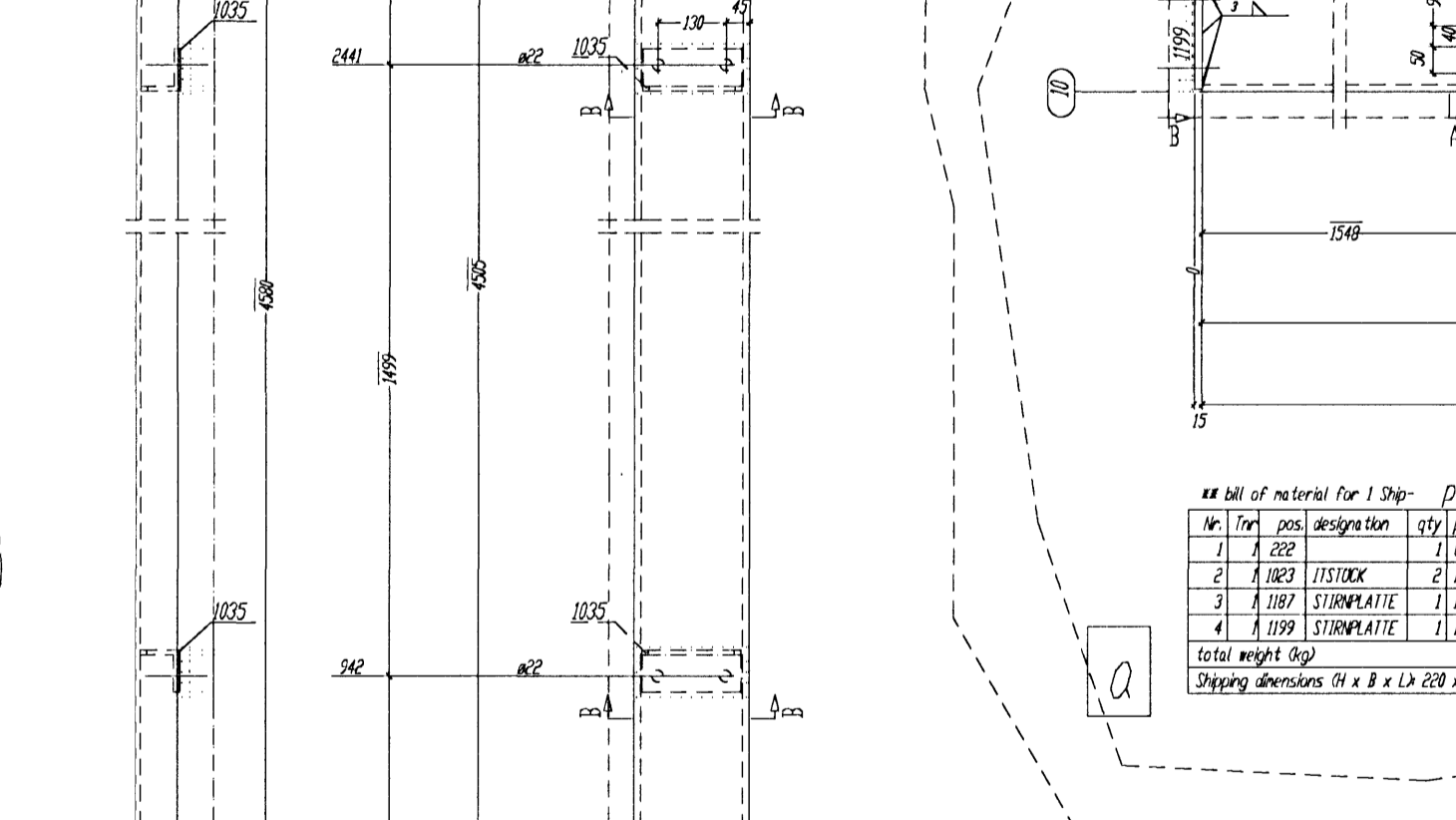


## Bill of material for 1 Ship- pos. 212 total 2 X done

Nr.	Pos.	Designation	Qty	Profile	Quality	Length	Weight	Dim.
1	A 212	1 UEB9	2	SEPS.A62	5645	183.36		
2	A 1082	1 I15100K	2	PE160	SEPS.A62	190	6.00	
3	A 1187	1 STUMPLATE	1	BL15405	SEPS.A62	290	2.34	
4	A 1188	1 STUMPLATE	1	BL15405	SEPS.A62	290	2.34	
Total weight (kg)							176.64	

Shipping dimensions (H x B x L) 200 x 95 x 5645

section 212, A-A view 212, B-B view 212, C-C

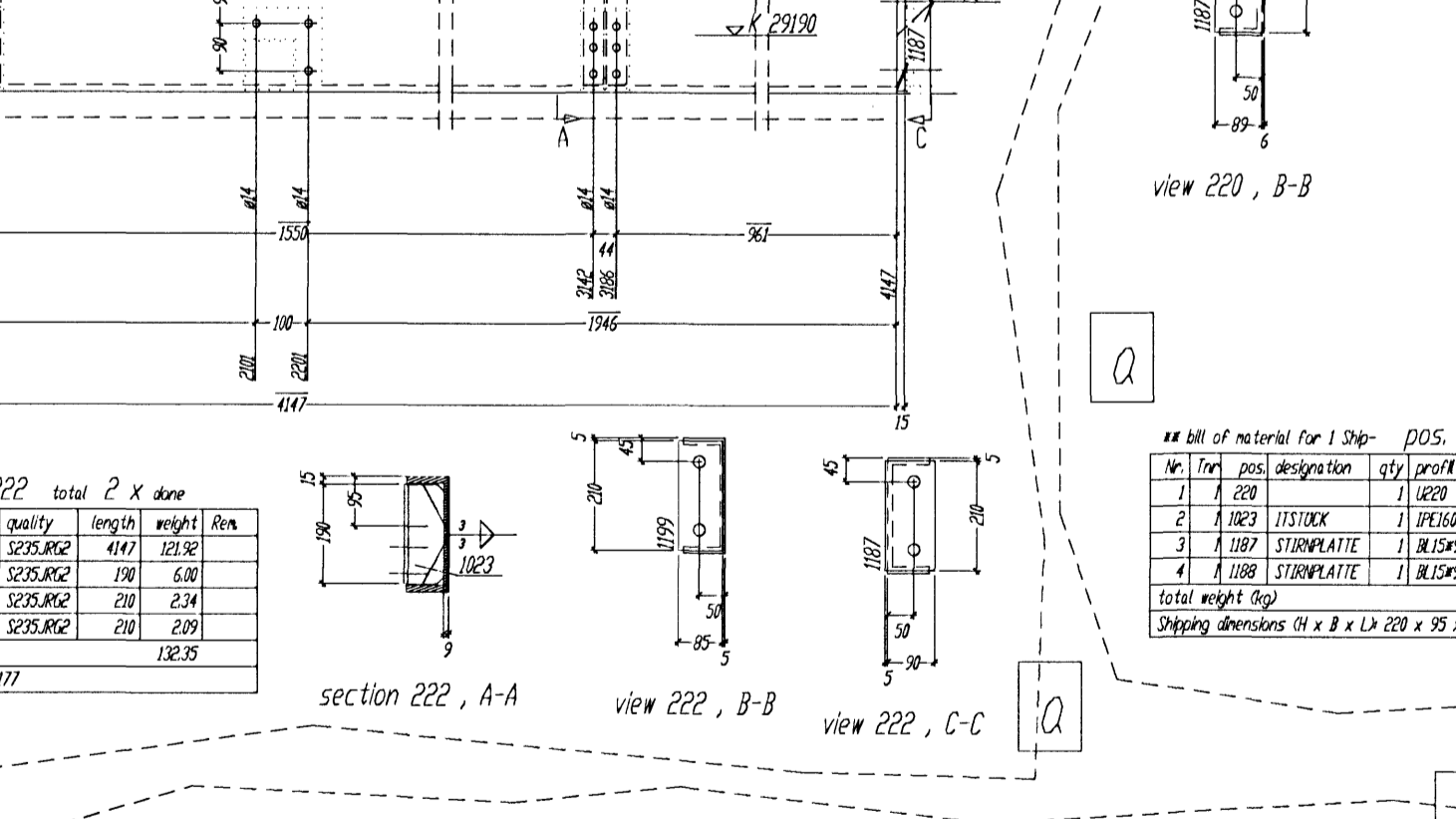


## Bill of material for 1 Ship- pos. 219 total 1 X done

Nr.	Pos.	Designation	Qty	Profile	Quality	Length	Weight	Dim.
1	A 219	1 UEB9	1	SEPS.A62	4518	155.77		
2	A 1082	1 I15100K	2	PE160	SEPS.A62	190	6.00	
3	A 1187	1 STUMPLATE	1	BL15405	SEPS.A62	290	2.34	
4	A 1188	1 STUMPLATE	1	BL15405	SEPS.A62	290	2.34	
Total weight (kg)							148.42	

Shipping dimensions (H x B x L) 200 x 200 x 4601

section 219, A-A view 219, B-B view 219, C-C

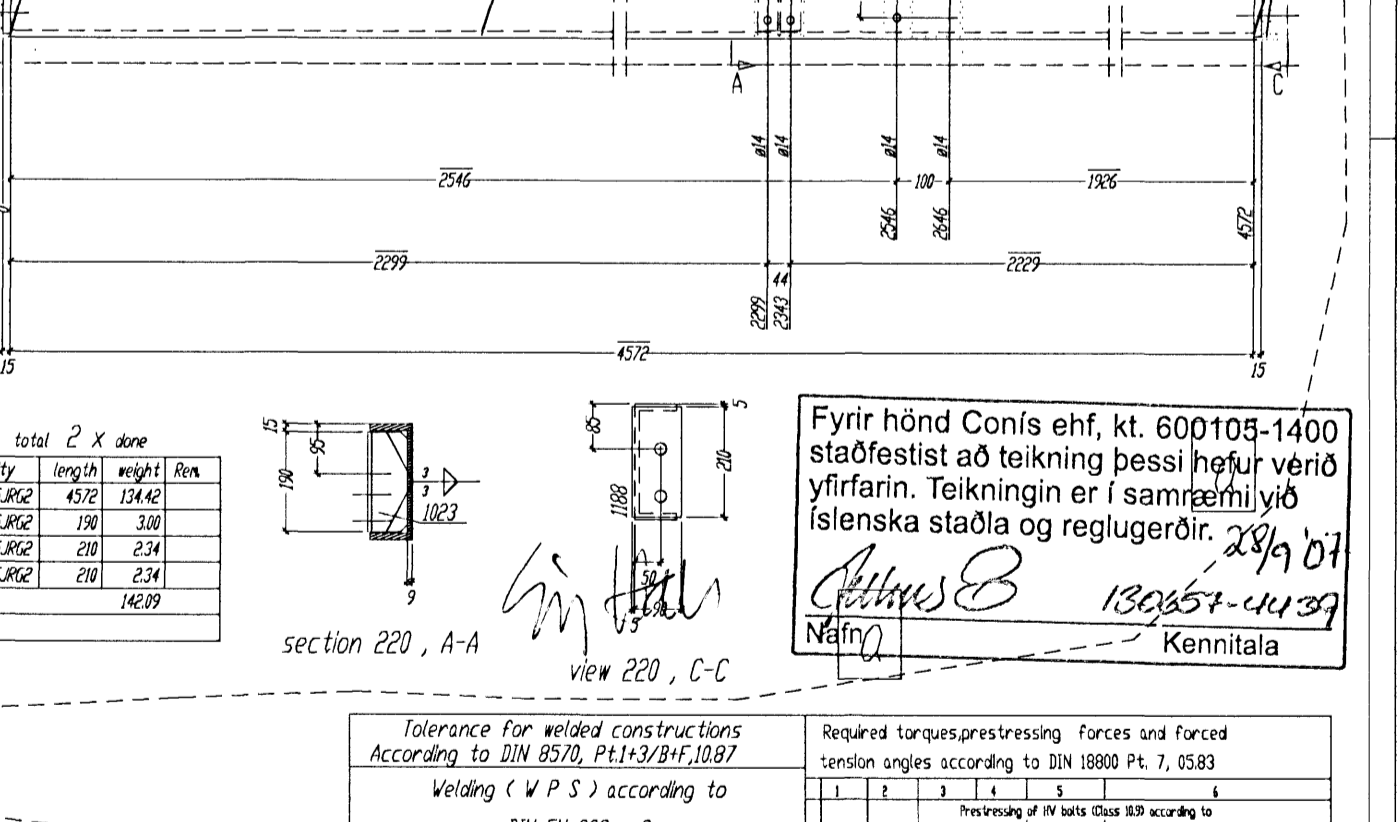


## Bill of material for 1 Ship- pos. 221 total 2 X done

Nr.	Pos.	Designation	Qty	Profile	Quality	Length	Weight	Dim.
1	A 221	1 UEB9	2	SEPS.A62	4518	152.42		
2	A 1082	1 I15100K	2	PE160	SEPS.A62	190	6.00	
3	A 1187	1 STUMPLATE	1	BL15405	SEPS.A62	290	2.34	
4	A 1188	1 STUMPLATE	1	BL15405	SEPS.A62	290	2.34	
Total weight (kg)							142.99	

Shipping dimensions (H x B x L) 200 x 95 x 4602

section 221, A-A view 221, B-B view 221, C-C



## Bill of material for 1 Ship- pos. 220 total 2 X done

Nr.	Pos.	Designation	Qty	Profile	Quality	Length	Weight	Dim.
1	A 220	1 UEB9	2	SEPS.A62	4518	152.42		
2	A 1082	1 I15100K	2	PE160	SEPS.A62	190	6.00	
3	A 1187	1 STUMPLATE	1	BL15405	SEPS.A62	290	2.34	
4	A 1188	1 STUMPLATE	1	BL15405	SEPS.A62	290	2.34	
Total weight (kg)							142.99	

Shipping dimensions (H x B x L) 200 x 95 x 4602

section 220, A-A view 220, B-B view 220, C-C

Fyrir hönd Conis ehf, kt. 600108-1400 staðfesti að teikning þessi hefur verið yfirfarin. Teikningin er í samræmi við íslenska stöðla og reglugerðir. 28/9/07  
 Kennitala

Tolerance for welded constructions According to DIN 870, Pt.1-3/BF.1097  
 Welding (W.P.S.) according to DIN EN 288 - 2

All unmarked welds to be fillet continuous a-fan thick, not greater than 0.7 d of the thinner element

The material for cap plates 320 mm thick to be examined for laminations

Required transverse stressing forces and forced tension angles according to DIN 18800 Pt. 7, 0593

Weld	Welding	Welding	Welding	Welding	Welding	Welding	Welding	Welding	Welding
1	1	1	1	1	1	1	1	1	1

BIURO INŻYNIERSKIE  
 Marek i Janina MUCHA  
 Bszyn, ul. Polska 30a, 46-070 Komprachcice tel.077-46 46 757

Pos. 209-222  
 T JARNARVELLIR 11  
 Steel Office part  
 DRG 125 a