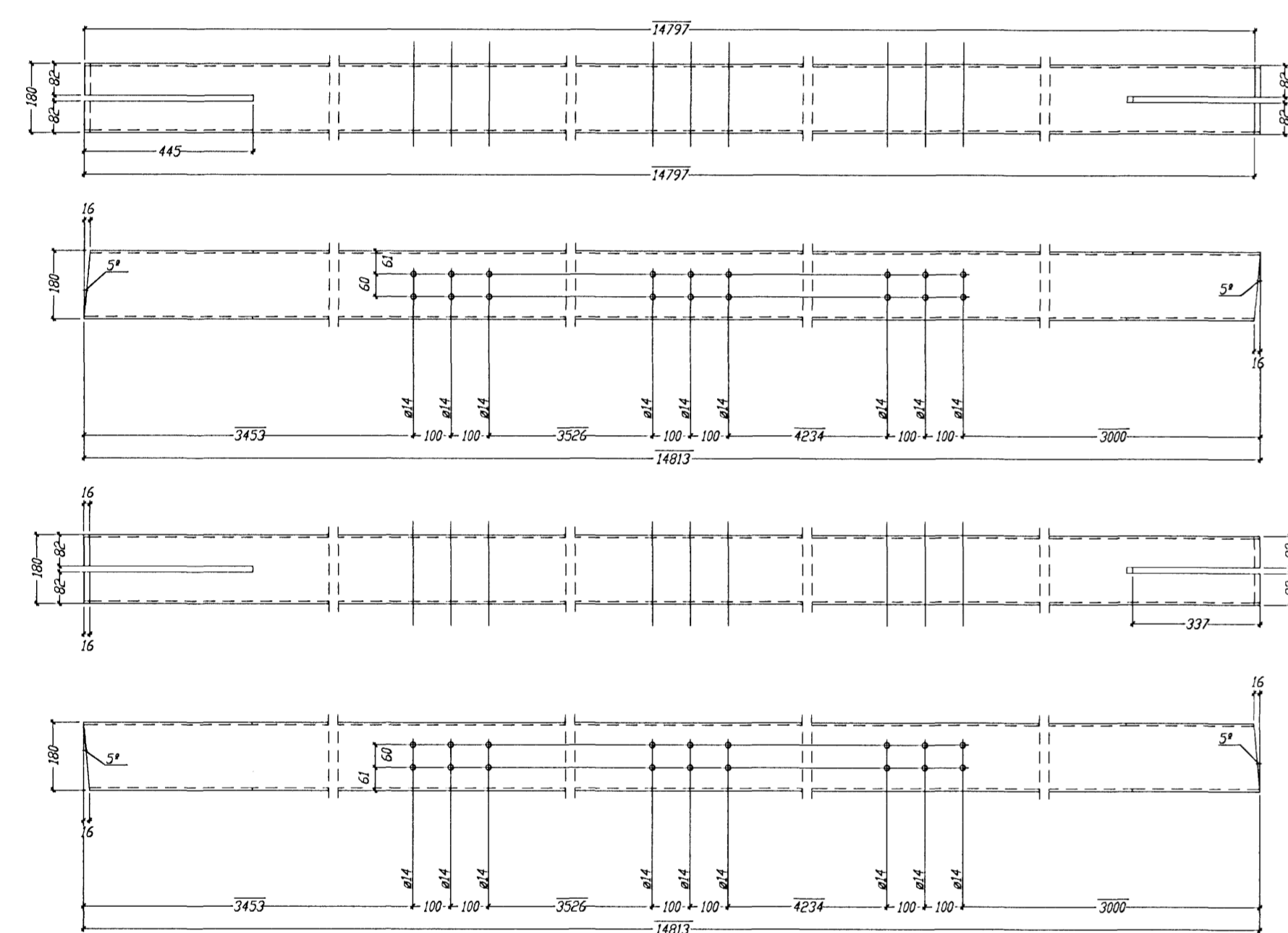
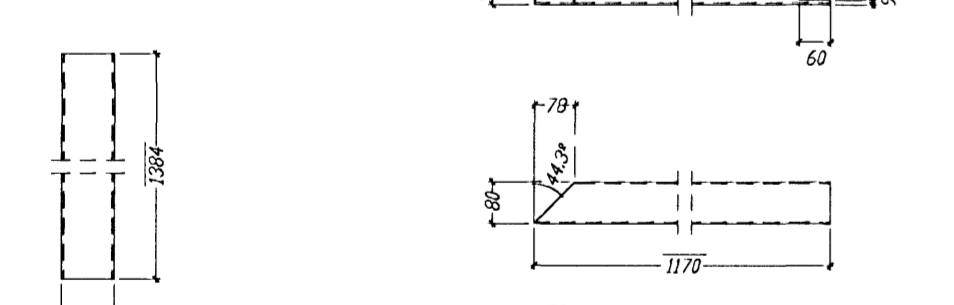


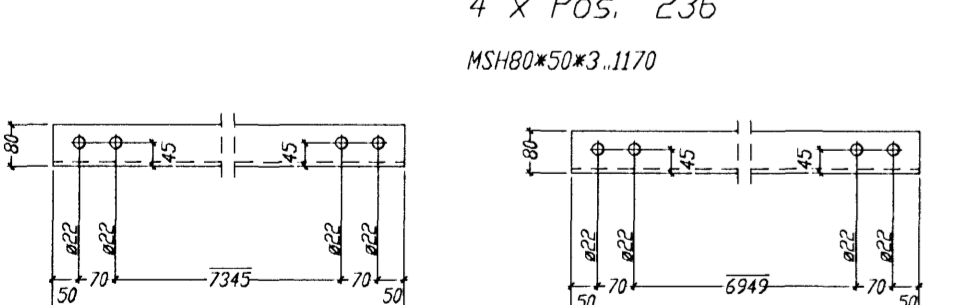
1 x Pos. 233
MSH80*6.3 - S355J2G3.14813



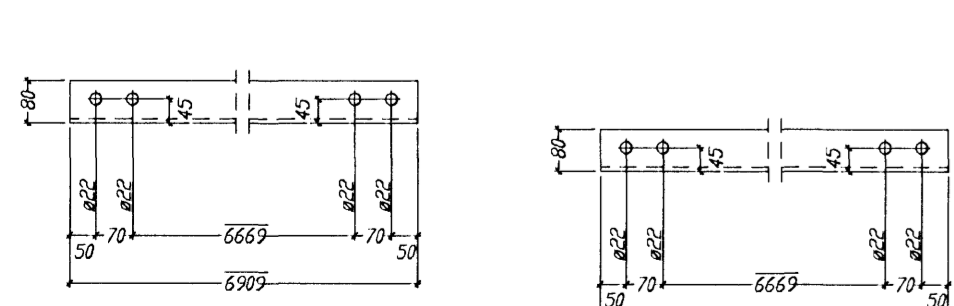
1 x Pos. 234
MSH80*6.3 - S355J2G3.14813



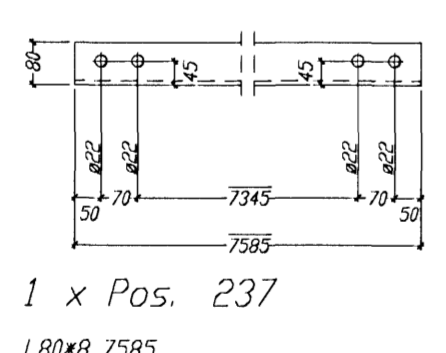
28 x Pos. 235
MSH100*4.1384



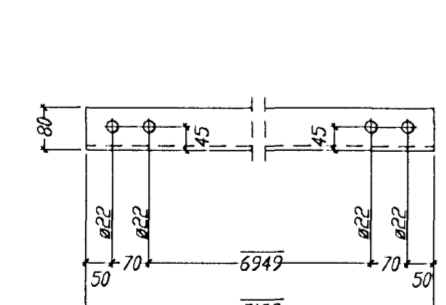
1 x Pos. 238
L80*8.7585



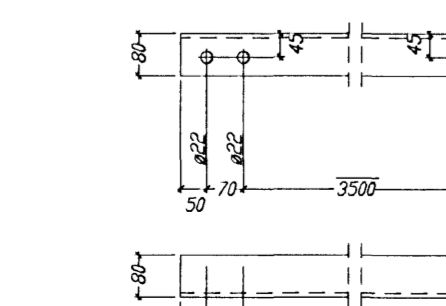
1 x Pos. 241
L80*8.6909



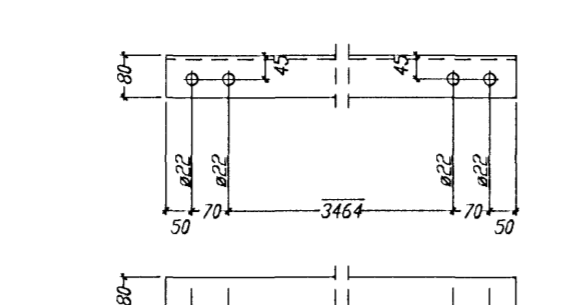
1 x Pos. 237
L80*8.7585



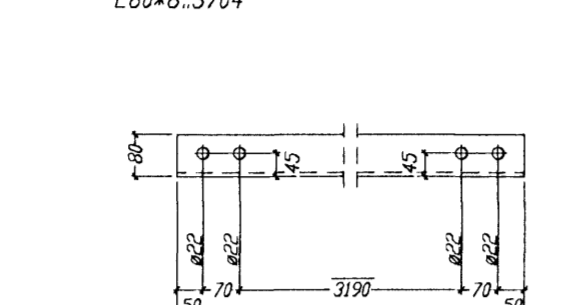
1 x Pos. 240
L80*8.7189



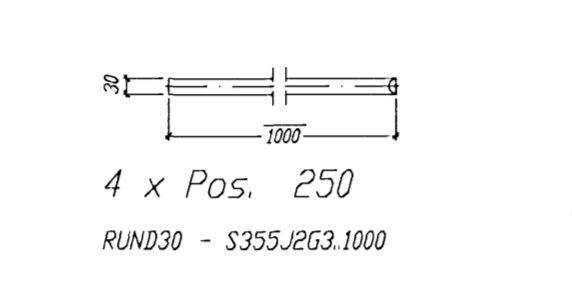
1 x Pos. 242
L80*8.6909



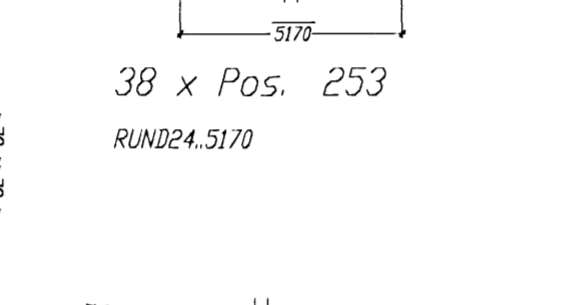
2 x Pos. 244
L80*8.3704



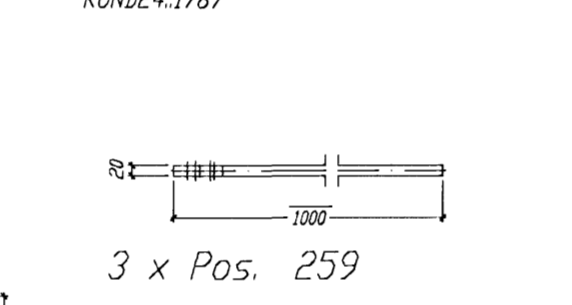
2 x Pos. 247
L80*8.3430



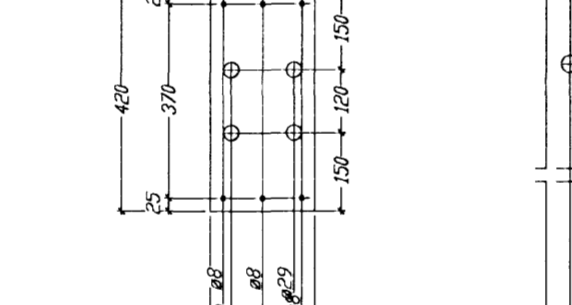
4 x Pos. 250
RUND30 - S355J2G3.1000



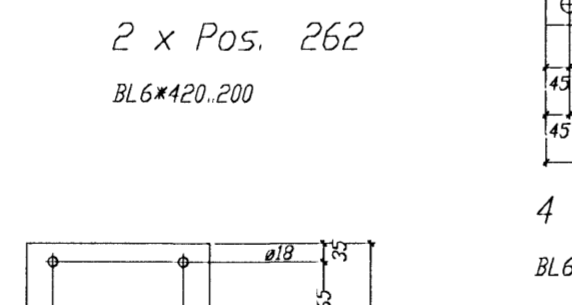
38 x Pos. 253
RUND24.5170



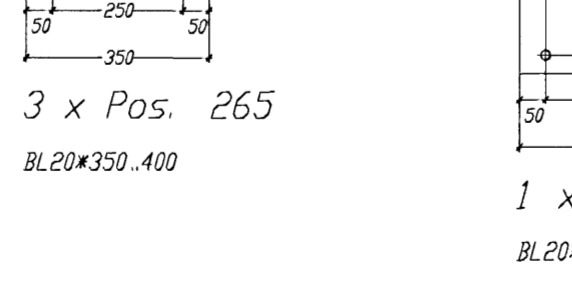
2 x Pos. 256
RUND24.1787



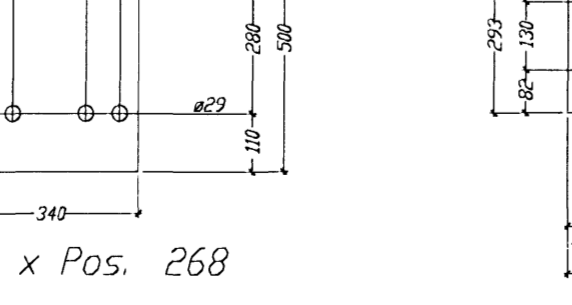
3 x Pos. 259
RUND20.1000



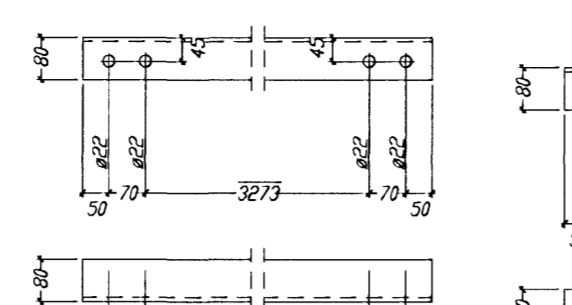
2 x Pos. 262
BL6*420.200



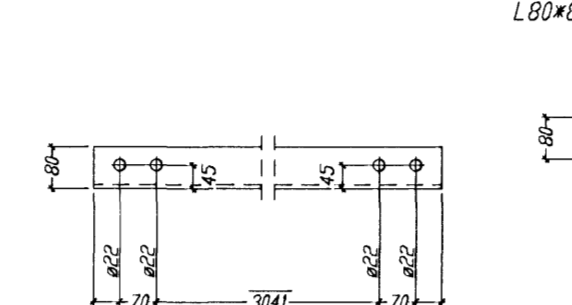
3 x Pos. 265
BL20*350.400



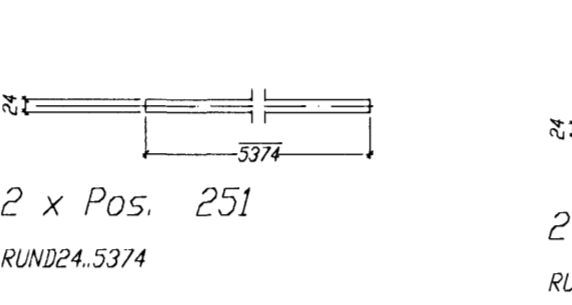
28 x Pos. 268
BLE*340 - S355J2G3.500



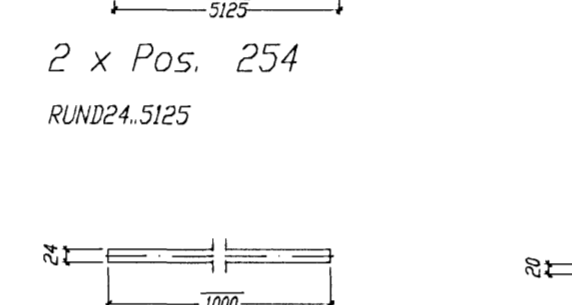
3 x Pos. 245
L80*8.3513



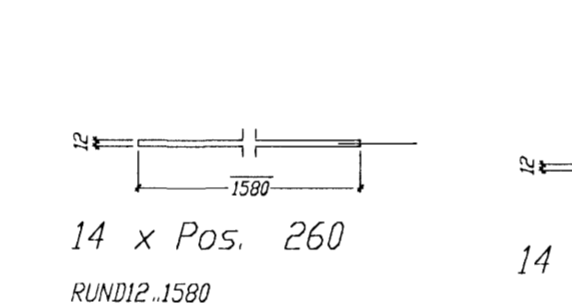
1 x Pos. 248
L80*8.3281



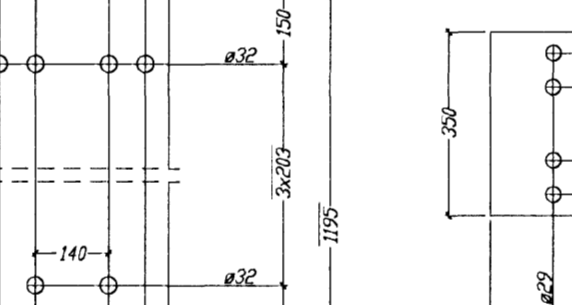
2 x Pos. 251
RUND24.5374



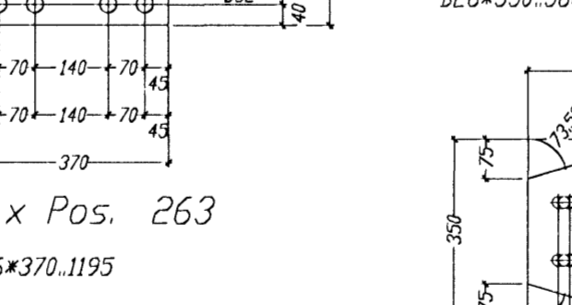
2 x Pos. 254
RUND24.5125



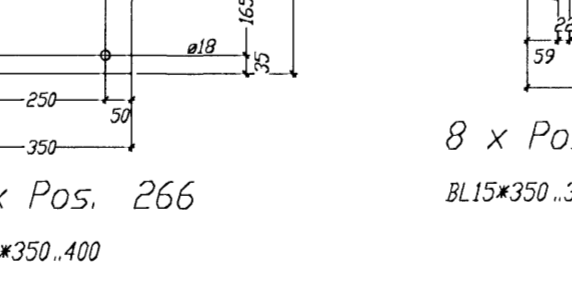
2 x Pos. 257
RUND24.1000



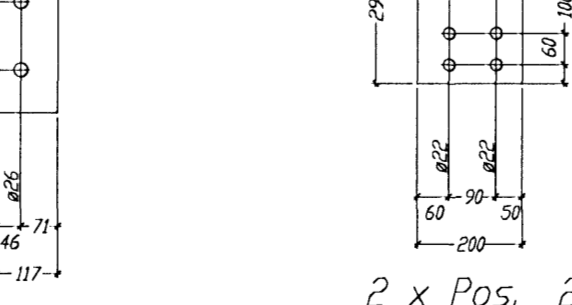
14 x Pos. 260
RUND12.1580



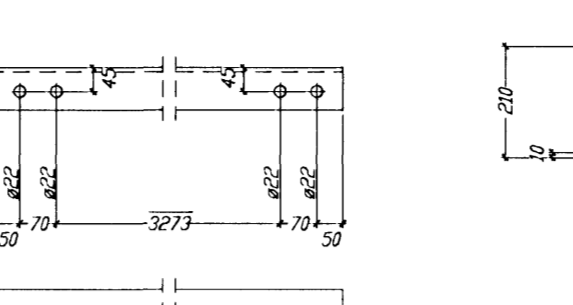
4 x Pos. 263
BL6*370.1195



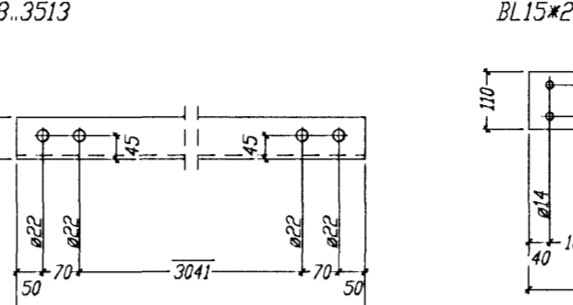
1 x Pos. 266
BL20*350.400



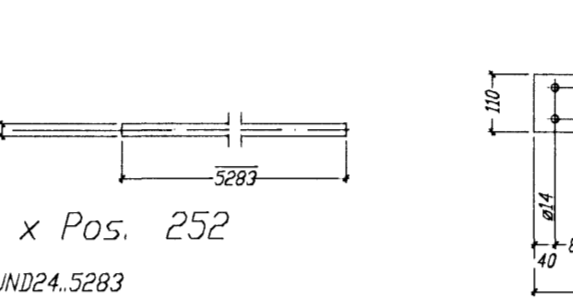
4 x Pos. 269
BL20*293.117



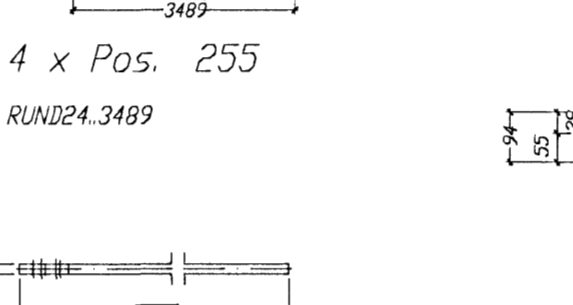
1 x Pos. 246
L80*8.3513



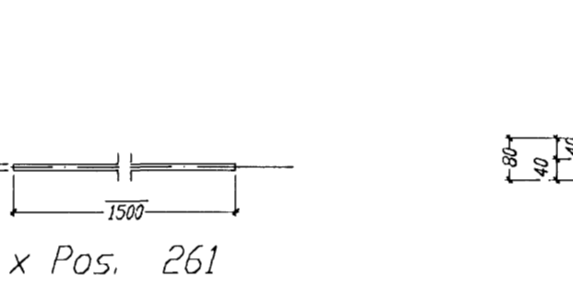
1 x Pos. 249
L80*8.3281



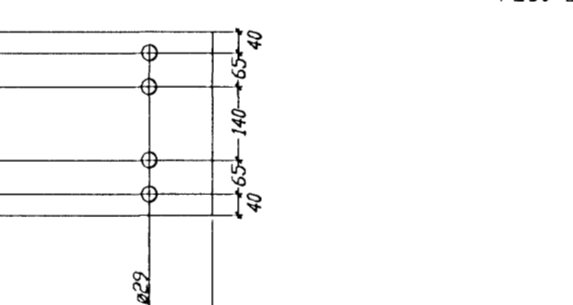
2 x Pos. 252
RUND24.5283



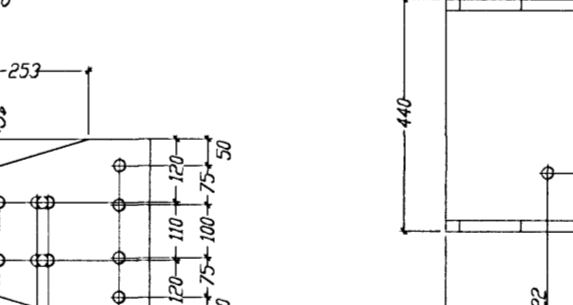
4 x Pos. 255
RUND24.3489



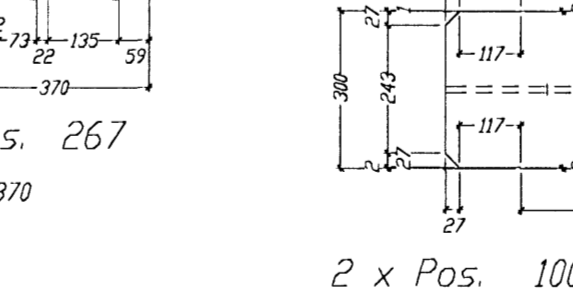
644 x Pos. 258
RUND20.1000



14 x Pos. 261
RUND12.1580



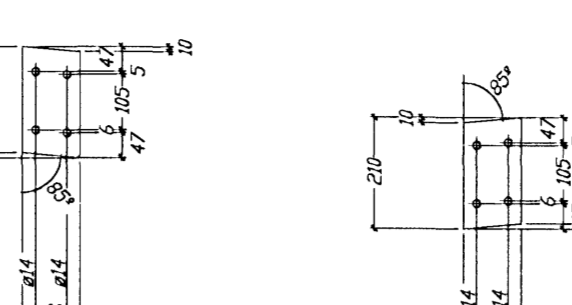
2 x Pos. 264
BL6*350.560



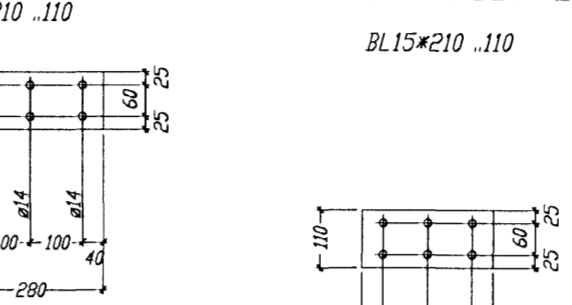
8 x Pos. 267
BL15*350.370



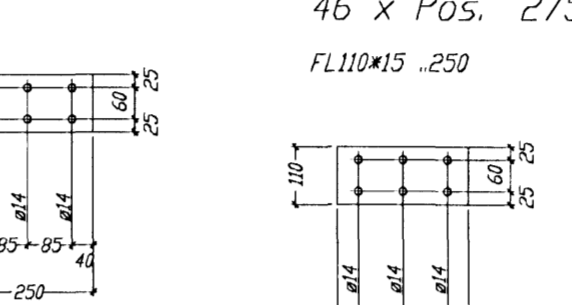
2 x Pos. 270
BLE*290.200



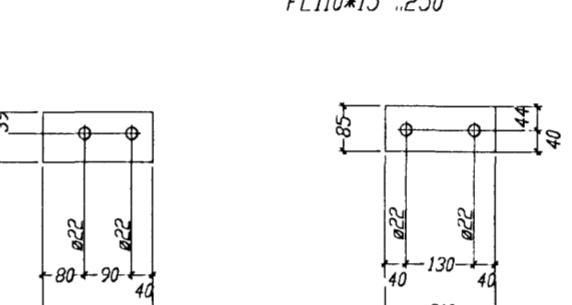
1 x Pos. 271
BL15*210.110



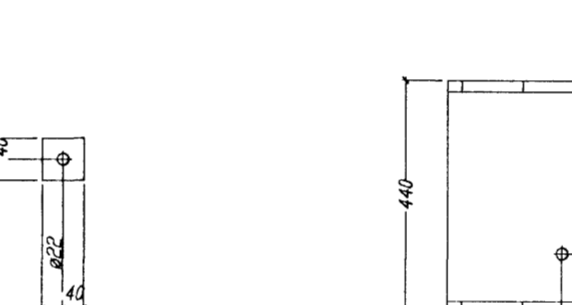
30 x Pos. 274
FL110*15.280



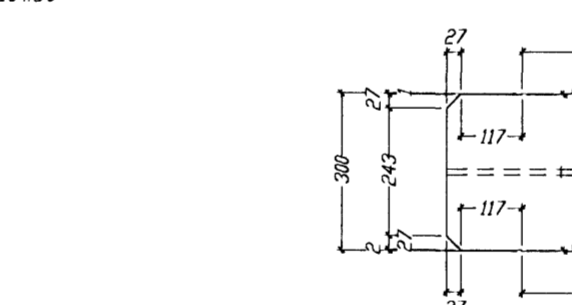
1 x Pos. 277
FL110*15.250



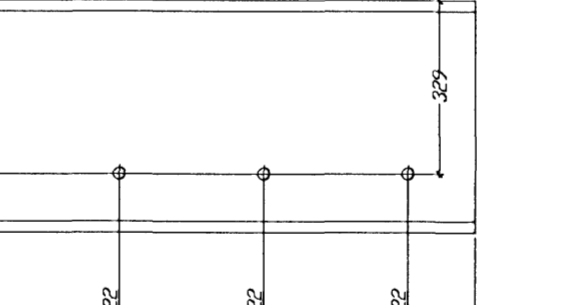
8 x Pos. 280
BL4*95.210



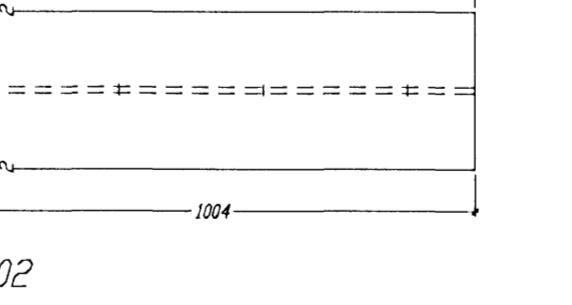
50 x Pos. 281
BL4*85.210



644 x Pos. 283
FL80*20.80



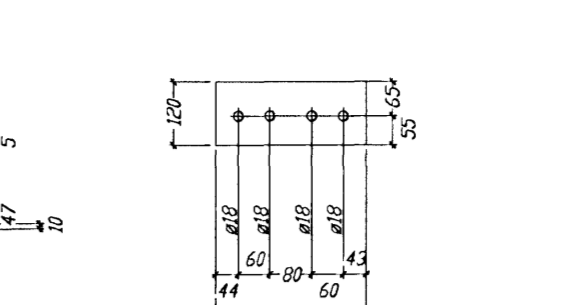
4 x Pos. 1001
HEA450 - S355J2G3.1148



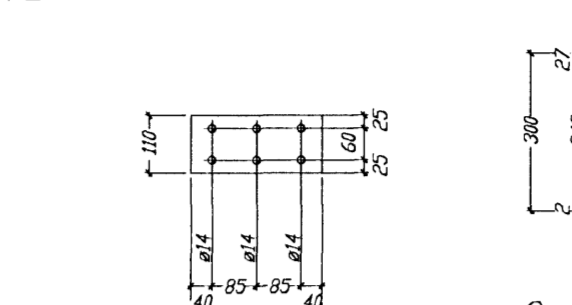
2 x Pos. 1002
HEA450 - S355J2G3.1148



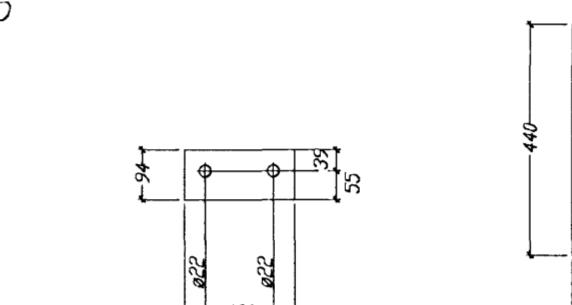
2 x Pos. 1003
HEA450 - S355J2G3.1148



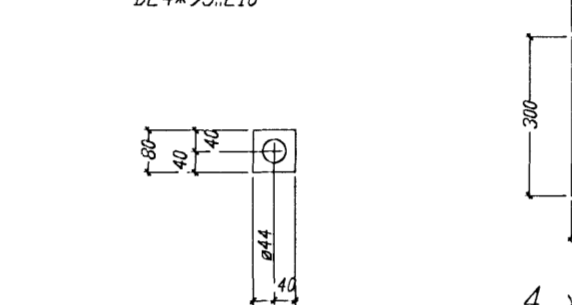
1 x Pos. 272
BL15*210.110



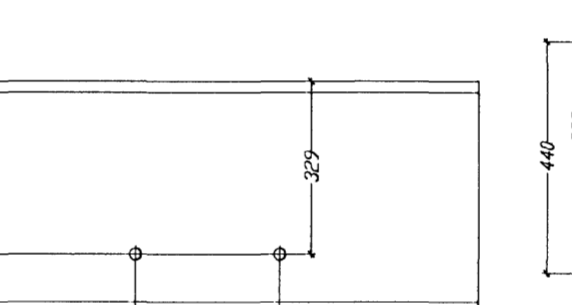
6 x Pos. 273
FL120*15.287



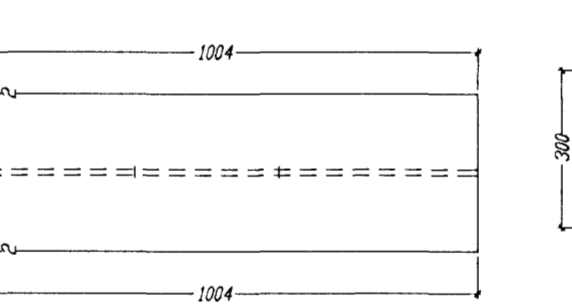
9 x Pos. 276
FL110*15.250



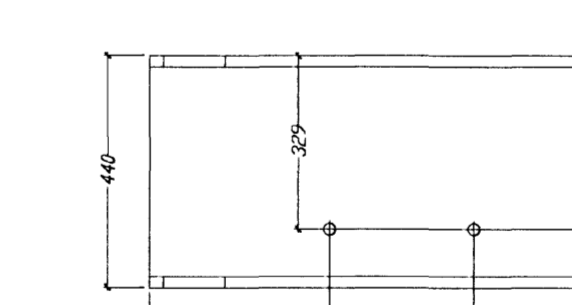
2 x Pos. 278
FL110*15.250



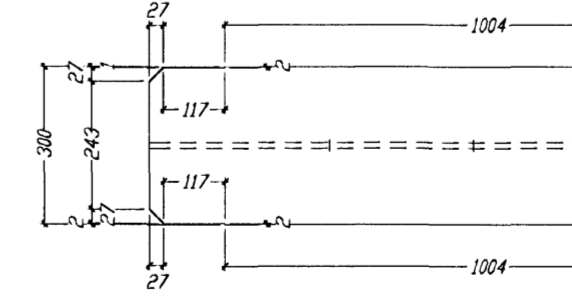
10 x Pos. 279
BL4*95.210



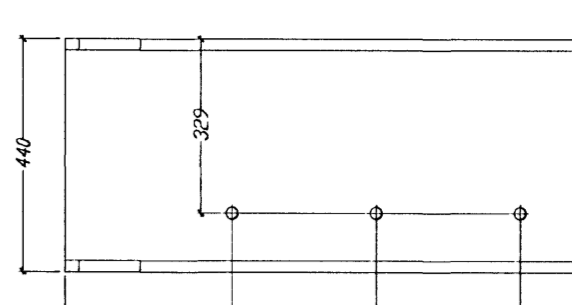
12 x Pos. 282
FL80*25 - S355J2G3.80



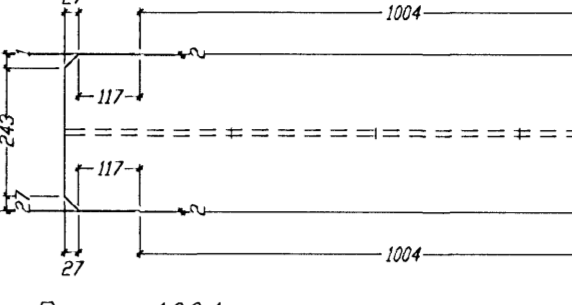
4 x Pos. 1004
HEA450 - S355J2G3.1148



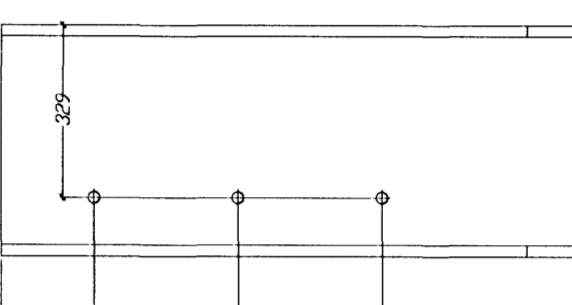
4 x Pos. 1008
HEA450 - S355J2G3.1148



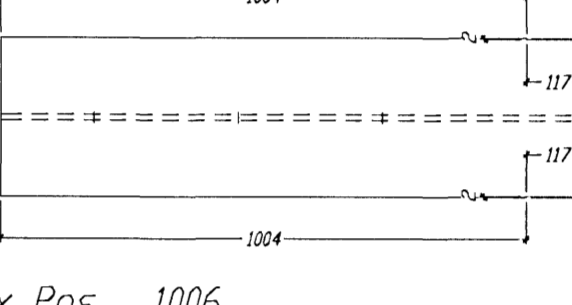
2 x Pos. 1004
HEA450 - S355J2G3.1148



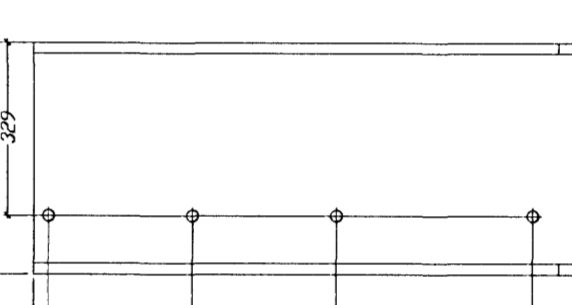
2 x Pos. 1005
HEA450 - S355J2G3.1148



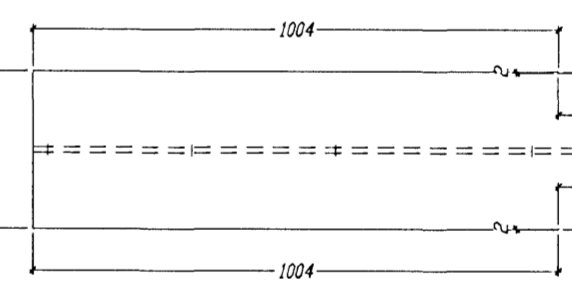
4 x Pos. 1006
HEA450 - S355J2G3.1148



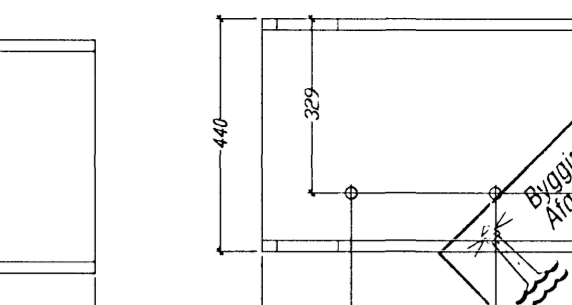
2 x Pos. 1007
HEA450 - S355J2G3.1148



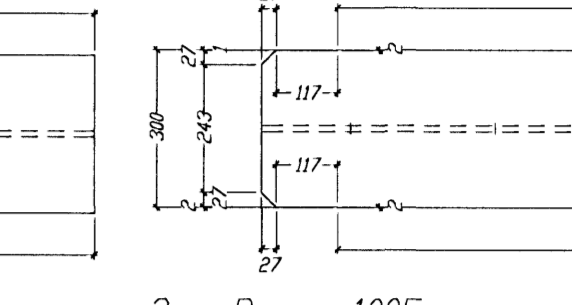
2 x Pos. 1009
HEA450 - S355J2G3.1148



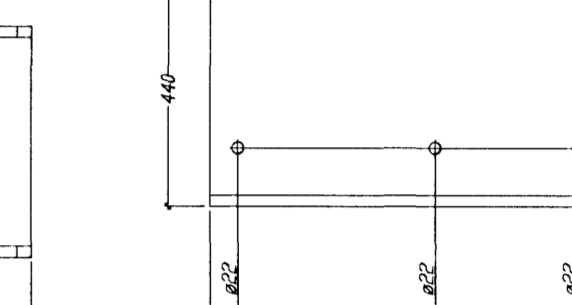
4 x Pos. 1008
HEA450 - S355J2G3.1148



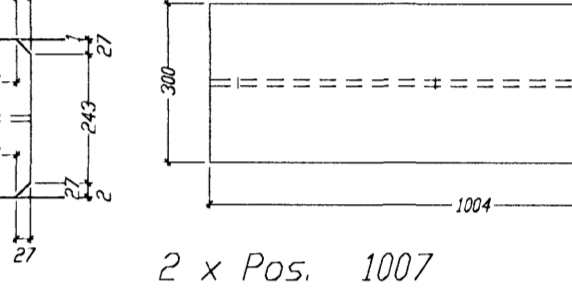
2 x Pos. 1005
HEA450 - S355J2G3.1148



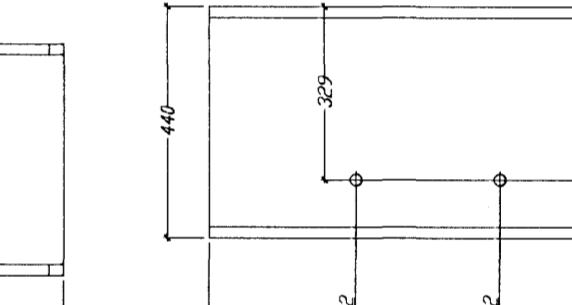
2 x Pos. 1007
HEA450 - S355J2G3.1148



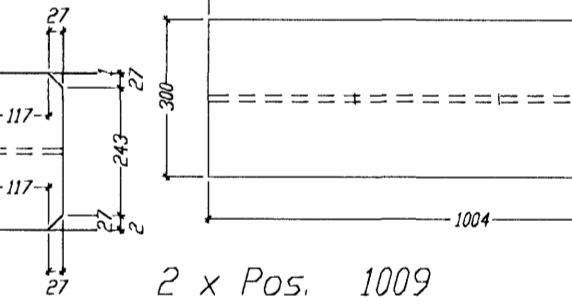
2 x Pos. 1009
HEA450 - S355J2G3.1148



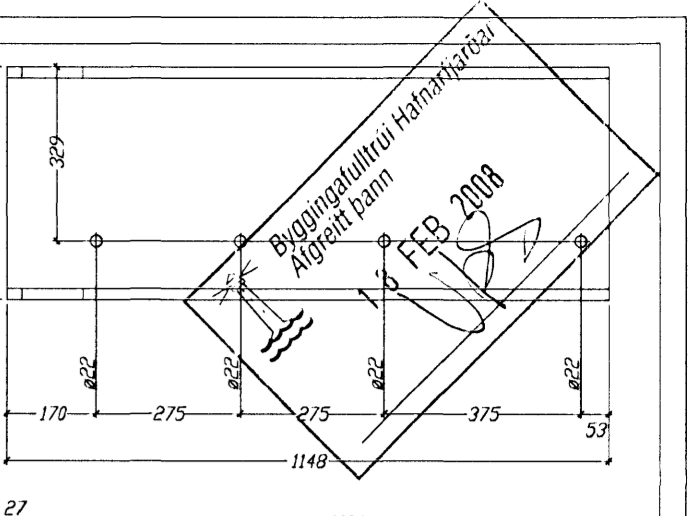
4 x Pos. 1008
HEA450 - S355J2G3.1148



2 x Pos. 1003
HEA450 - S355J2G3.1148



2 x Pos. 1003
HEA450 - S355J2G3.1148



Fyrir hönd Conis ehf. kt. 600105-1400
staðfestist að teikning þessi hefur verið
yfirfarin. Teikningin er í samræmi við
íslenska staðla og reglugerðir. 28/4/07
Nafn: *Almas B* Kennitala: 130657-4439

G. Helly

Tolerance for welded constructions According to DIN 8570, Pt1+3/4/10/87 Welding (V P S) according to DIN EN 288 - 2		Required torque/prestressing forces and forced tension angles according to DIN 18800 Pt. 1, 6383	
		Processing of the parts class B16 according to DIN EN 10204	
Weld	Welding process	Welding process	Welding process
Weld	Welding process	Welding process	Welding process
1	2	3	4
5	6	7	8
9	10	11	12
13	14	15	16
17	18	19	20
21	22	23	24
25	26	27	28
29	30	31	32
33	34	35	36
37	38	39	40
41	42	43	44
45	46	47	48
49	50	51	52
53	54	55	56
57	58	59	60
61	62	63	64
65	66	67	68
69	70	71	72
73	74	75	76
77	78	79	80
81	82	83	84
85	86	87	88
89	90	91	92
93	94	95	96
97	98	99	100

Be sure to use the correct dimensions of the material on the type of structural steel
according to the steel manufacturer's recommendations.
Responsibility for the layout of the sheets and surfaces of parts and nuts
according to the manufacturer's instructions.

BIURO INZYNIERSKIE
Marek i Janina MUCHA
Dzielnia, ul. Polska 30a, 46-070 Komprachcice tel.077-46 46 757

Author	DATE	SCALE	1:50 SCALE
Checked	DATE	SCALE	1:50 SCALE
Drawn	DATE	SCALE	1:50 SCALE
Checked	DATE	SCALE	1:50 SCALE
Drawn	DATE	SCALE	1:50 SCALE

Simple parts 233-283,1001-1009
TJARNARVELLIR 11
Steel Office part
DRG 135