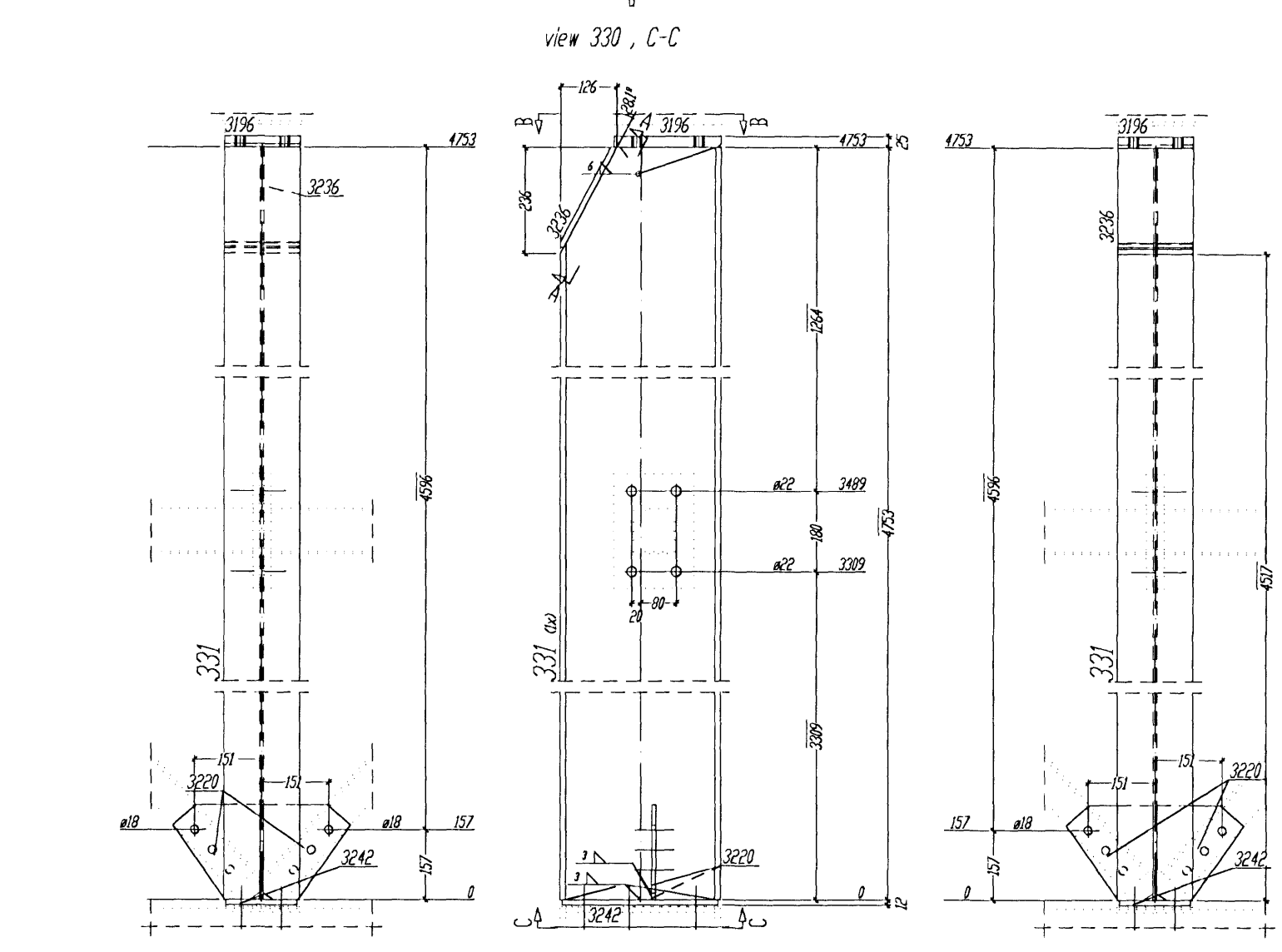


bill of material for 1 ship - pos. 330 total 1 X done

№	Ter	pos.	designation	qty	profil	quality	length	weight	řm
1	3	330	1. PE300	1	PE300	S235JR2	3000	10657	
2	3	3036	1. R.104010	2	R.104010	S235JR2	170	801	
3	3	3039	2. R.104010	2	R.104010	S235JR2	237	633	
4	3	3036	1. R.104010	1	R.104010	S235JR2	254	436	
5	3	3042	1. R.104010	1	R.104010	S235JR2	300	539	
total weight (kg)									16831

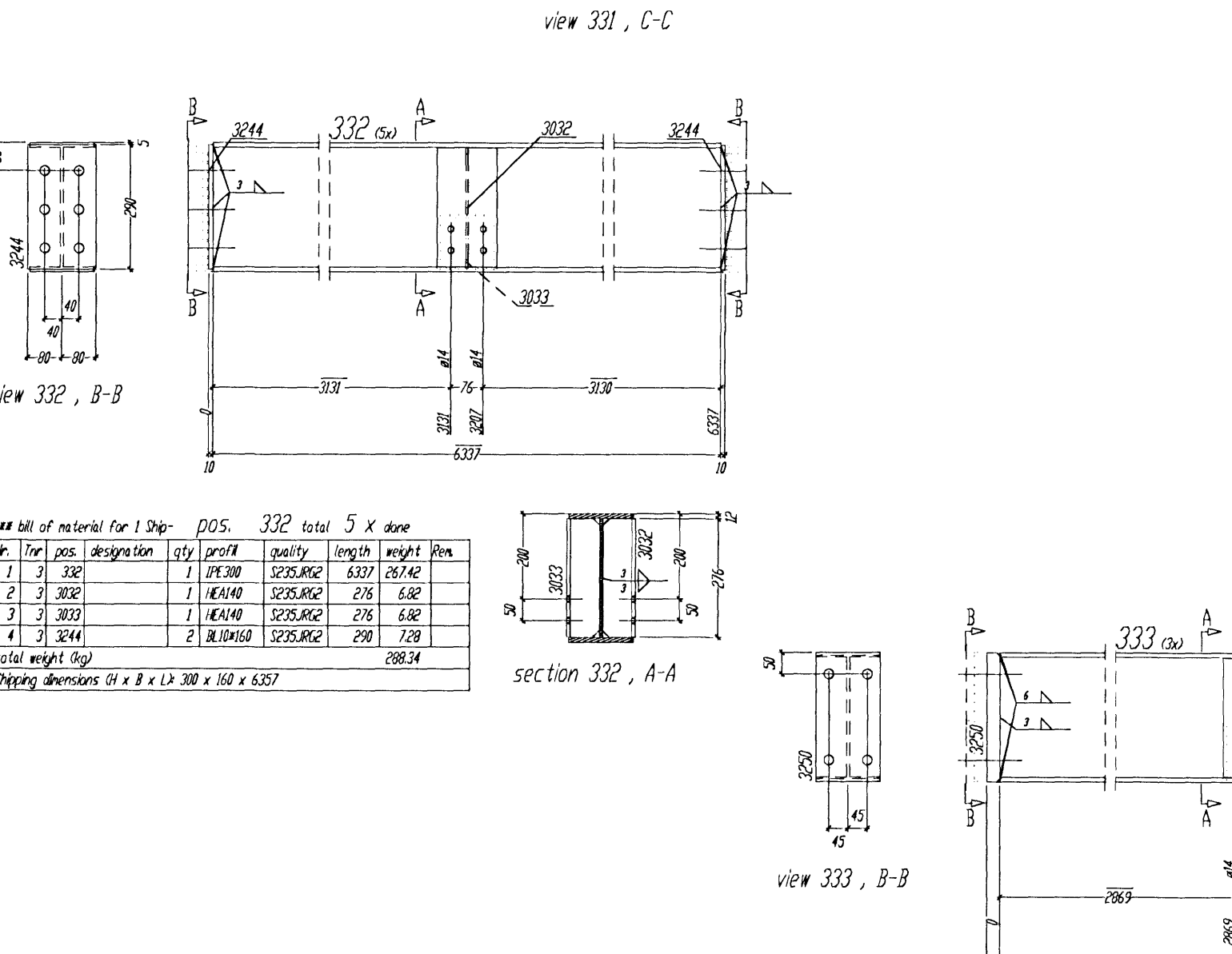
Shipping dimensions 01 x B x L x 300 x 399 x 539



bill of material for 1 ship - pos. 331 total 1 X done

№	Ter	pos.	designation	qty	profil	quality	length	weight	řm
1	3	331	1. PE300	1	PE300	S235JR2	4753	17138	
2	3	3036	1. R.104010	2	R.104010	S235JR2	170	801	
3	3	3039	2. R.104010	2	R.104010	S235JR2	237	633	
4	3	3036	1. R.104010	1	R.104010	S235JR2	254	436	
5	3	3042	1. R.104010	1	R.104010	S235JR2	300	539	
total weight (kg)									19527

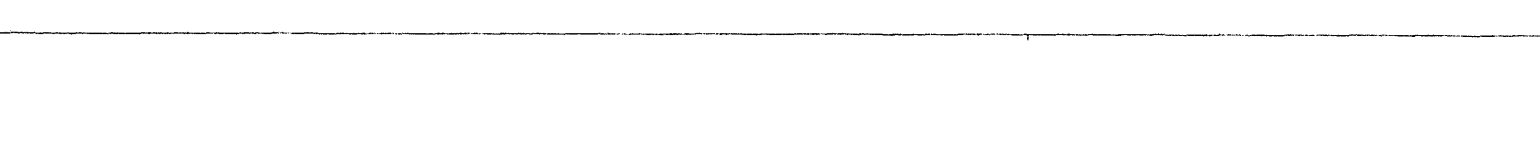
Shipping dimensions 01 x B x L x 300 x 399 x 470



bill of material for 1 ship - pos. 332 total 5 X done

№	Ter	pos.	designation	qty	profil	quality	length	weight	řm
1	3	332	1. PE300	5	PE300	S235JR2	6377	26746	
2	3	3032	1. R.104010	2	R.104010	S235JR2	276	636	
3	3	3032	1. R.104010	2	R.104010	S235JR2	276	636	
4	3	3044	2. R.104010	2	R.104010	S235JR2	300	738	
total weight (kg)									28834

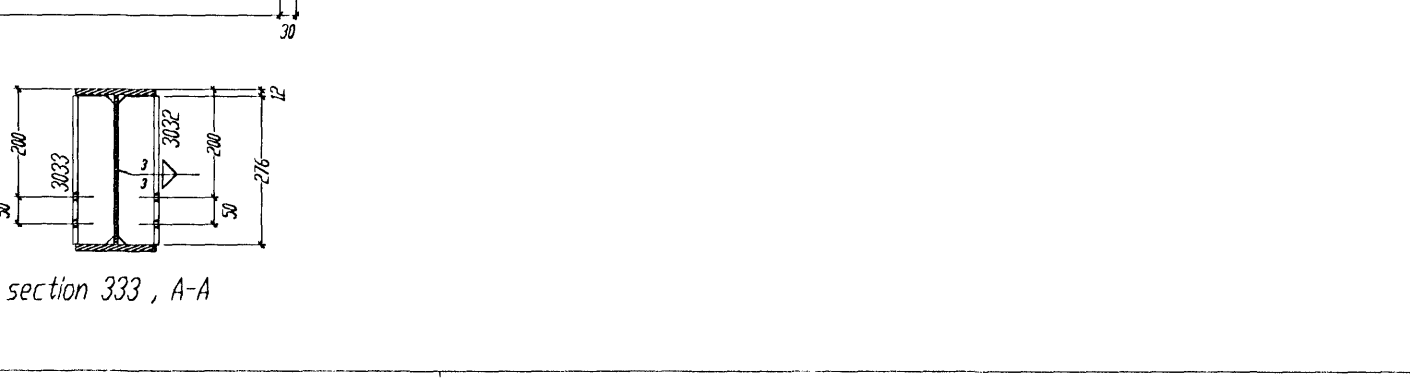
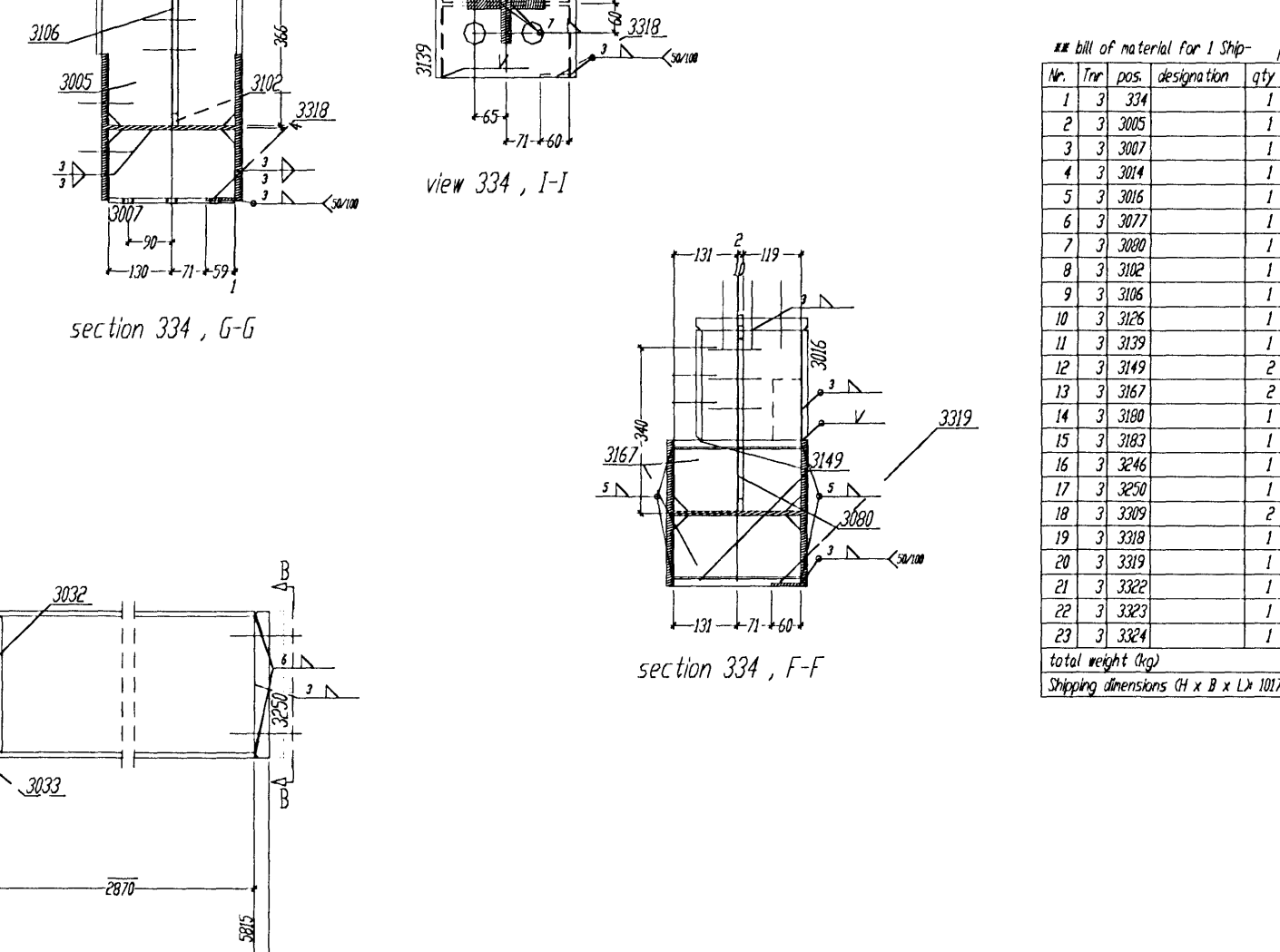
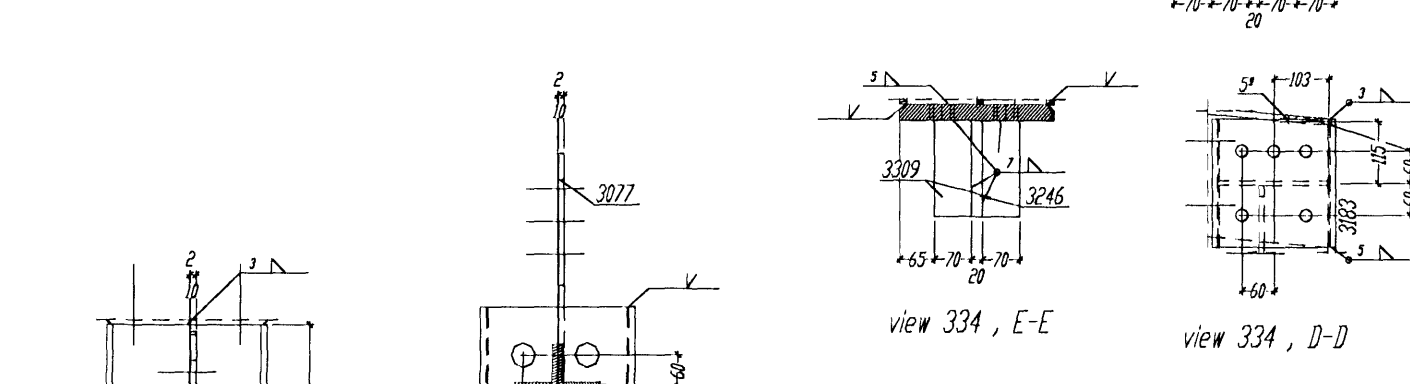
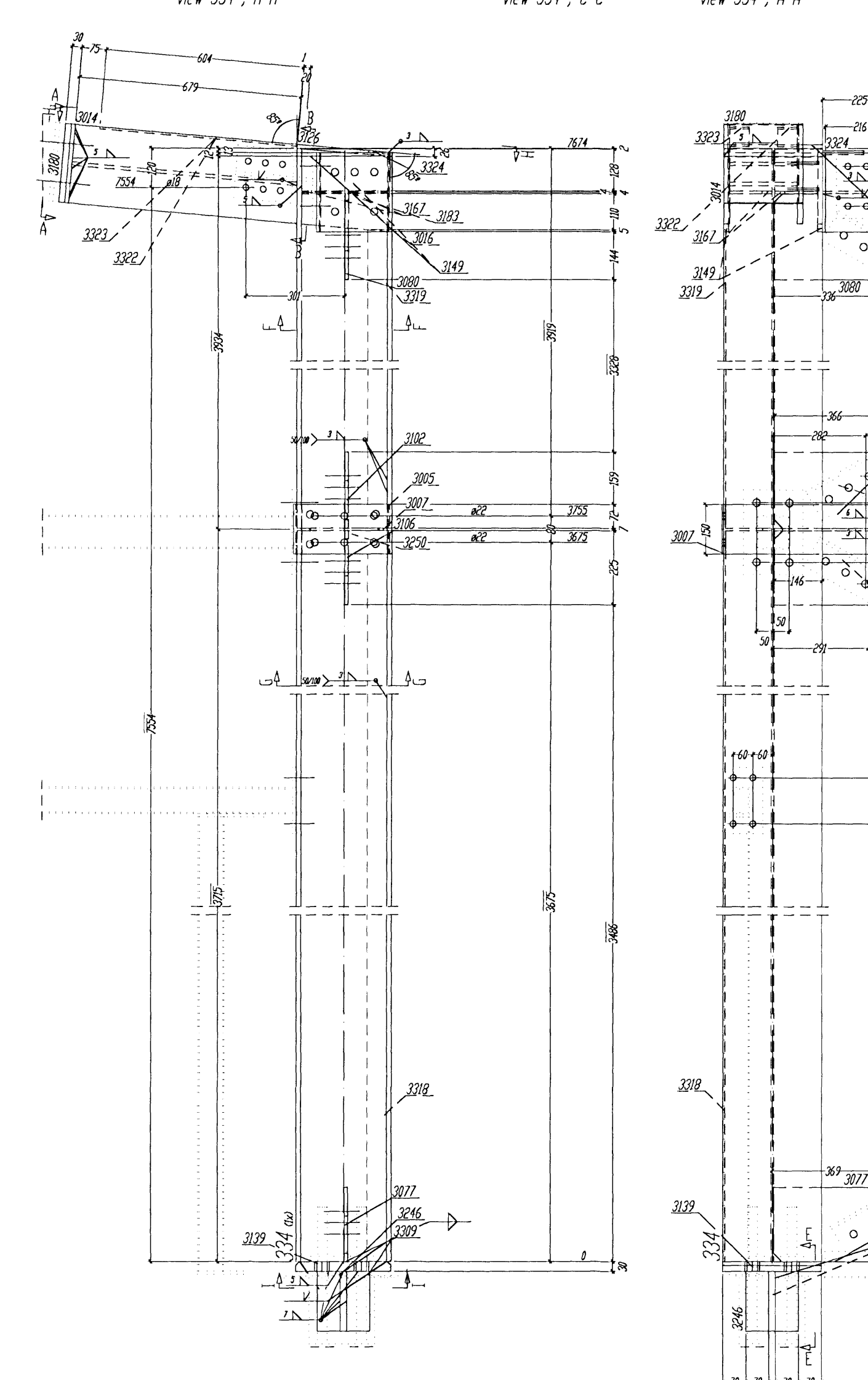
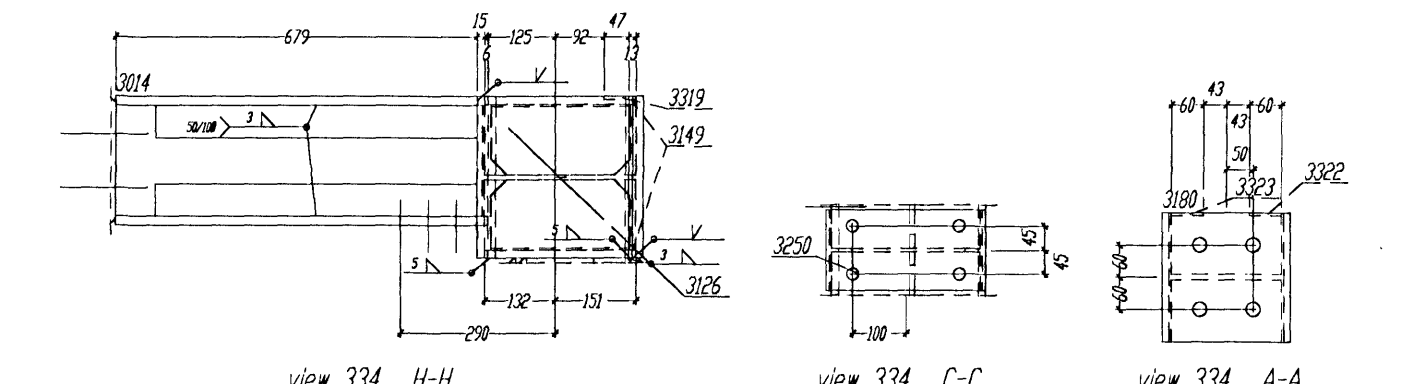
Shipping dimensions 01 x B x L x 300 x 380 x 637



bill of material for 1 ship - pos. 333 total 3 X done

№	Ter	pos.	designation	qty	profil	quality	length	weight	řm
1	3	333	1. PE300	3	PE300	S235JR2	3075	14929	
2	3	3032	1. R.104010	2	R.104010	S235JR2	276	636	
3	3	3032	1. R.104010	2	R.104010	S235JR2	276	636	
4	3	3050	2. R.115040	2	R.115040	S235JR2	300	2119	
total weight (kg)									18802

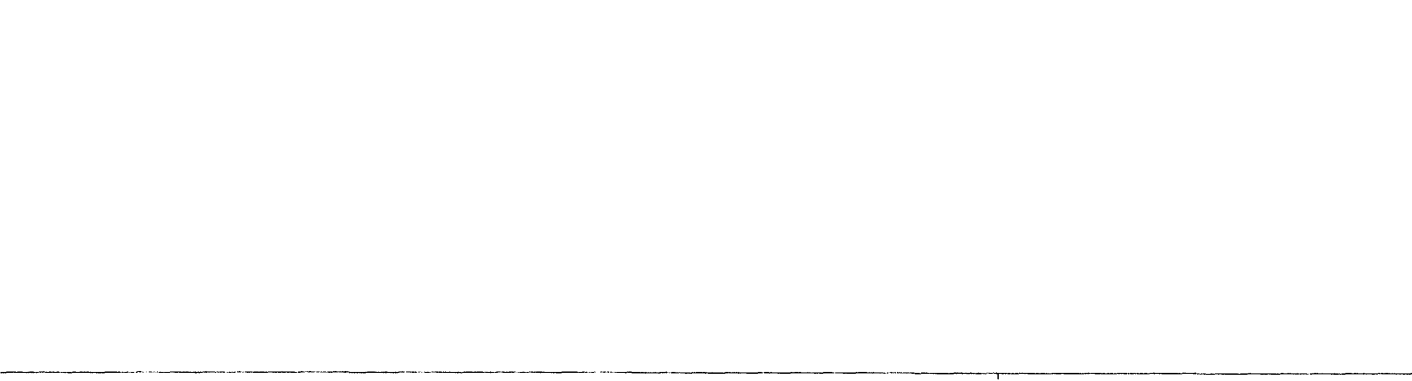
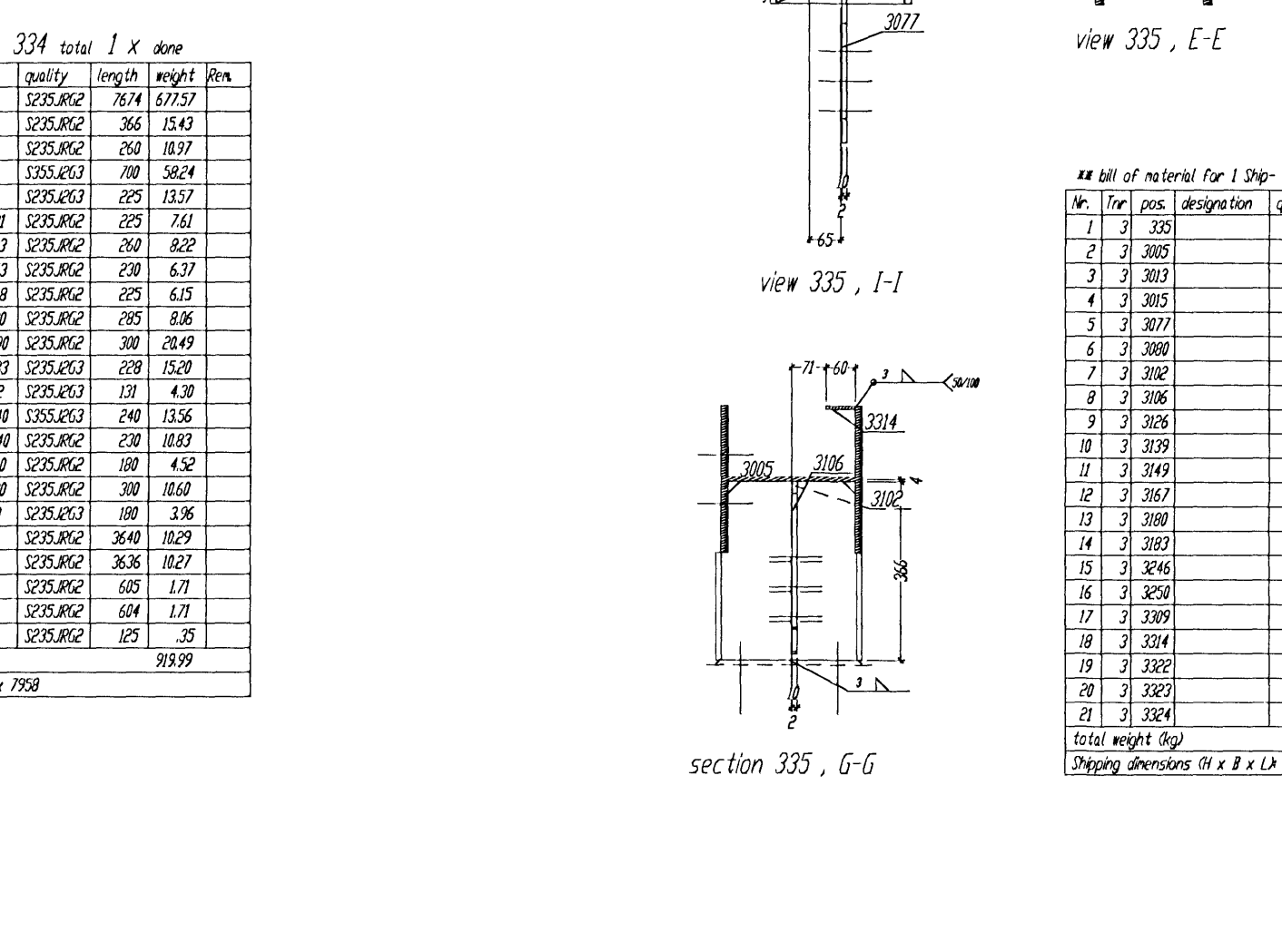
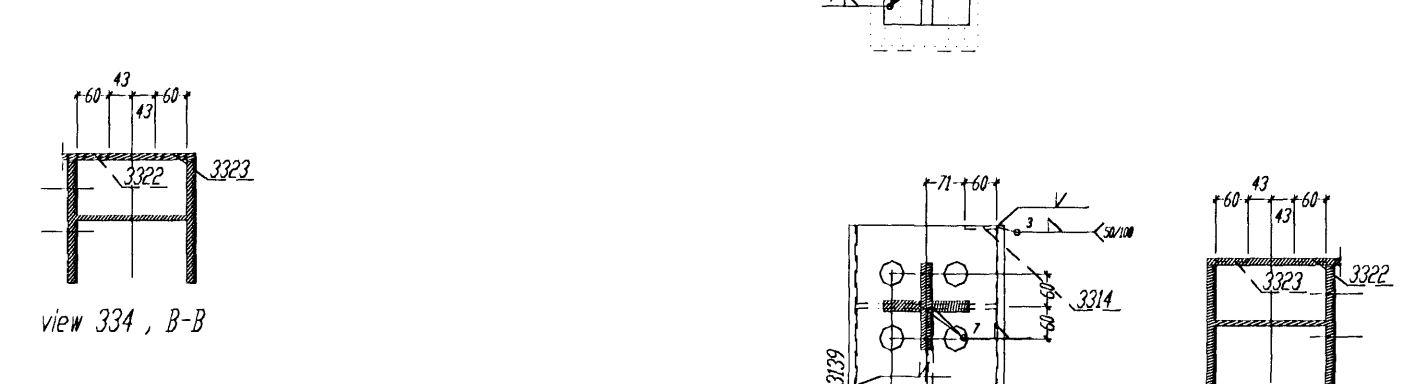
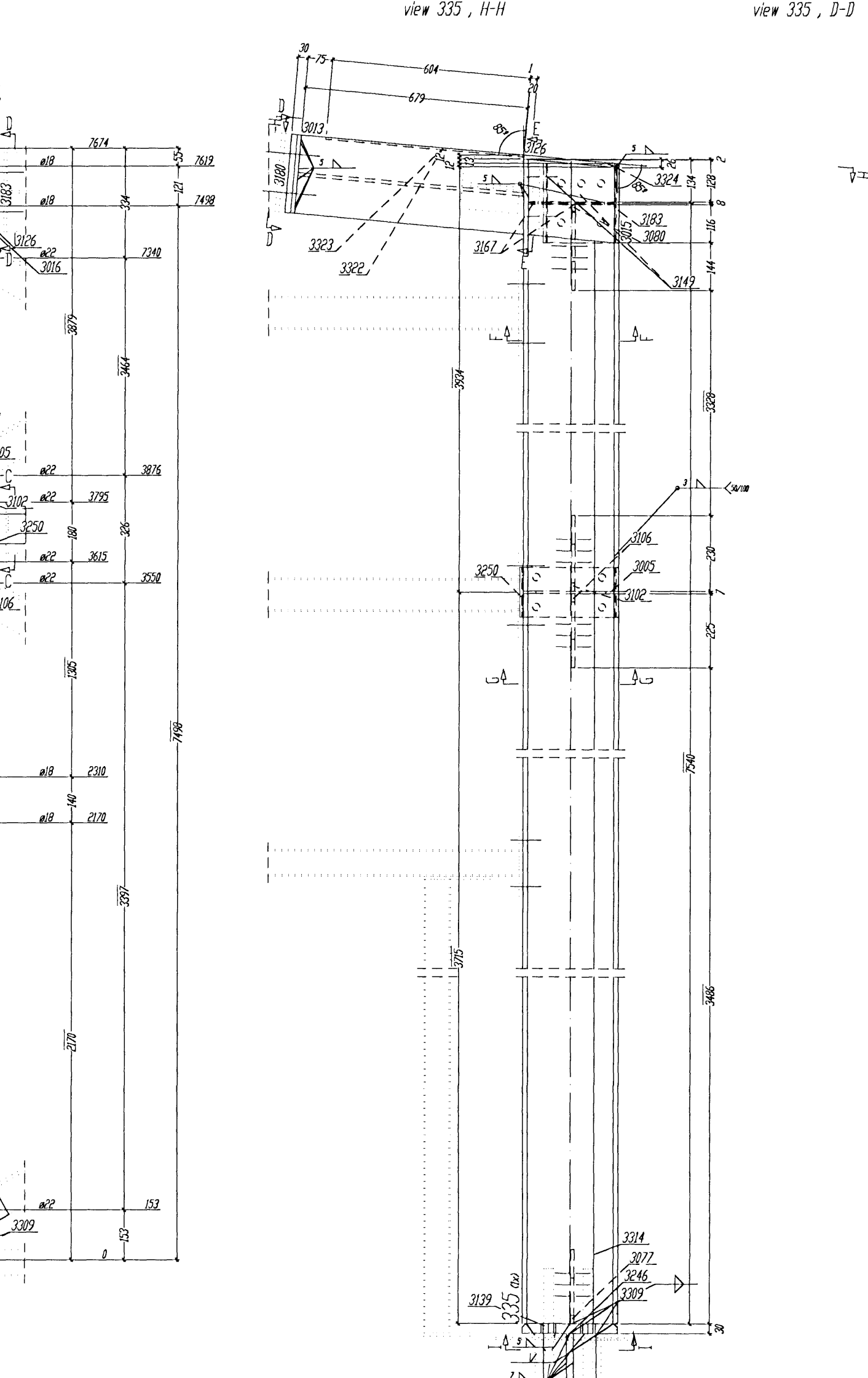
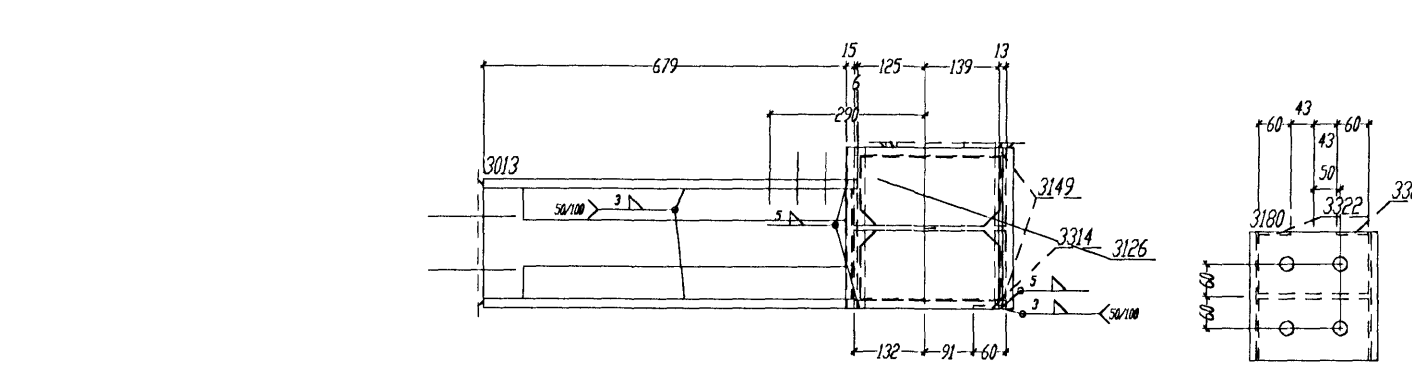
Shipping dimensions 01 x B x L x 300 x 380 x 587



bill of material for 1 ship - pos. 334 total 1 X done

№	Ter	pos.	designation	qty	profil	quality	length	weight	řm
1	3	334	1. R.104010	1	R.104010	S235JR2	7674	17157	
2	3	3035	1. PE300	1	PE300	S235JR2	364	1340	
3	3	3037	1. PE300	1	PE300	S235JR2	250	1037	
4	3	3044	1. R.104010	1	R.104010	S235JR2	700	5824	
5	3	3035	1. R.104010	1	R.104010	S235JR2	255	1327	
6	3	3037	2. R.104010	2	R.104010	S235JR2	255	741	
7	3	3030	1. R.104010	1	R.104010	S235JR2	250	823	
8	3	3042	1. R.104010	1	R.104010	S235JR2	230	637	
9	3	3036	1. R.104010	1	R.104010	S235JR2	255	675	
10	3	3035	1. R.104010	1	R.104010	S235JR2	255	826	
11	3	3039	1. R.104010	1	R.104010	S235JR2	300	2849	
12	3	3049	2. R.104010	2	R.104010	S235JR2	230	1528	
13	3	3047	2. R.104010	2	R.104010	S235JR2	170	439	
14	3	3036	1. R.104010	1	R.104010	S235JR2	250	1346	
15	3	3037	1. R.104010	1	R.104010	S235JR2	250	1037	
16	3	3045	1. R.104010	1	R.104010	S235JR2	180	432	
17	3	3050	1. R.115040	1	R.115040	S235JR2	300	1800	
18	3	3039	1. R.115040	1	R.115040	S235JR2	300	336	
19	3	3039	1. R.115040	1	R.115040	S235JR2	300	1029	
20	3	3039	1. R.115040	1	R.115040	S235JR2	300	1029	
21	3	3039	1. R.115040	1	R.115040	S235JR2	600	177	
22	3	3047	1. R.115040	1	R.115040	S235JR2	604	171	
23	3	3044	1. R.115040	1	R.115040	S235JR2	25	25	
total weight (kg)									29129

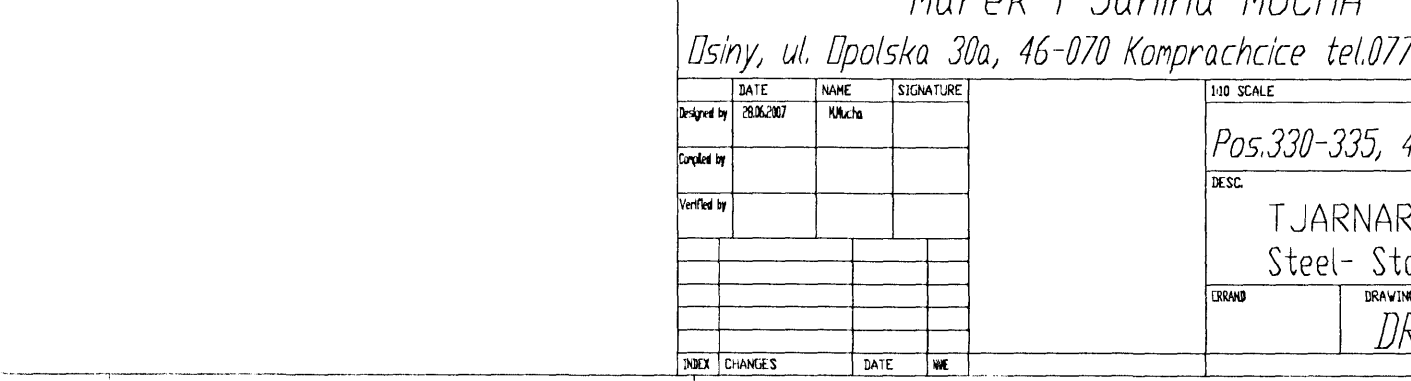
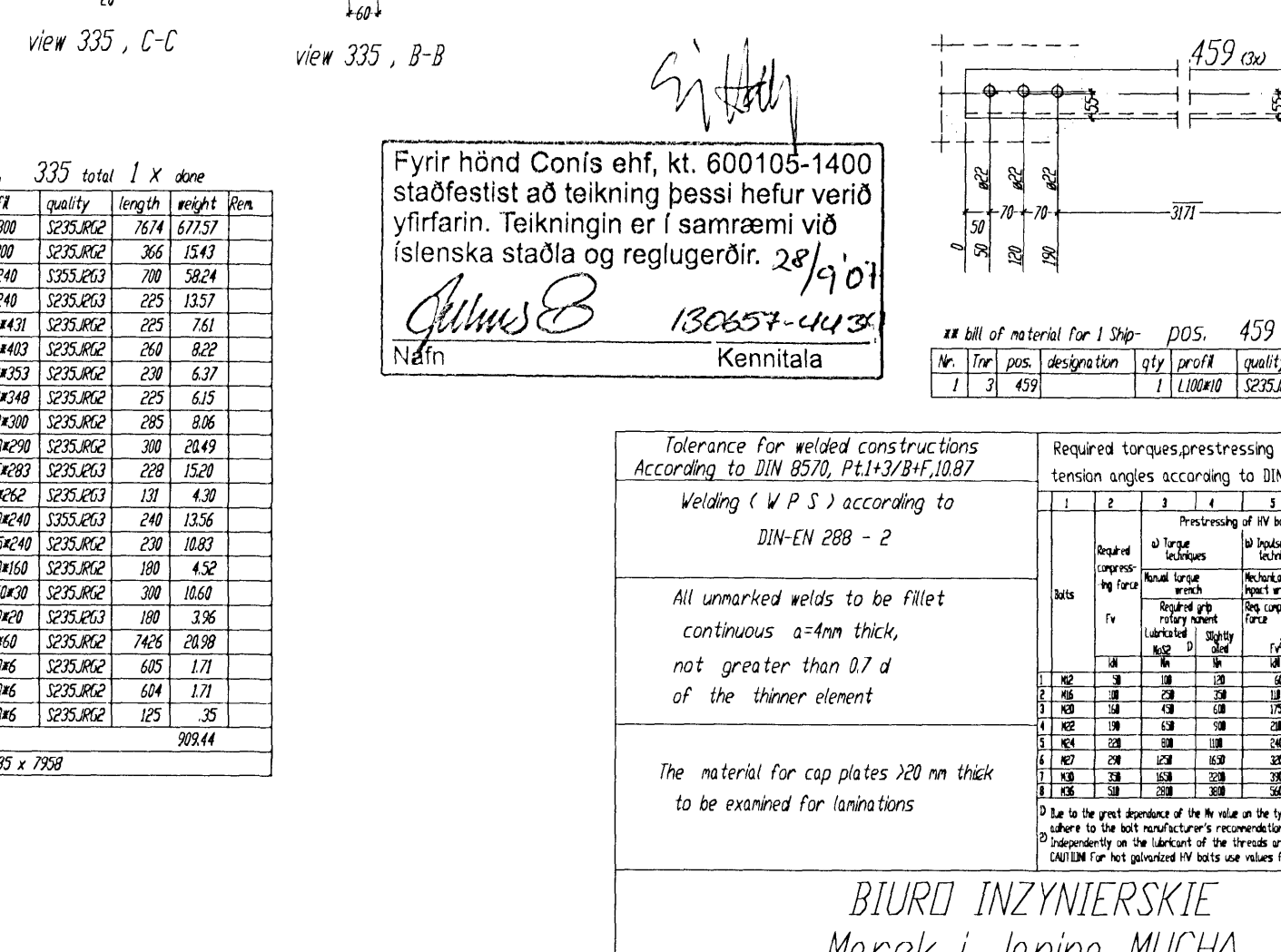
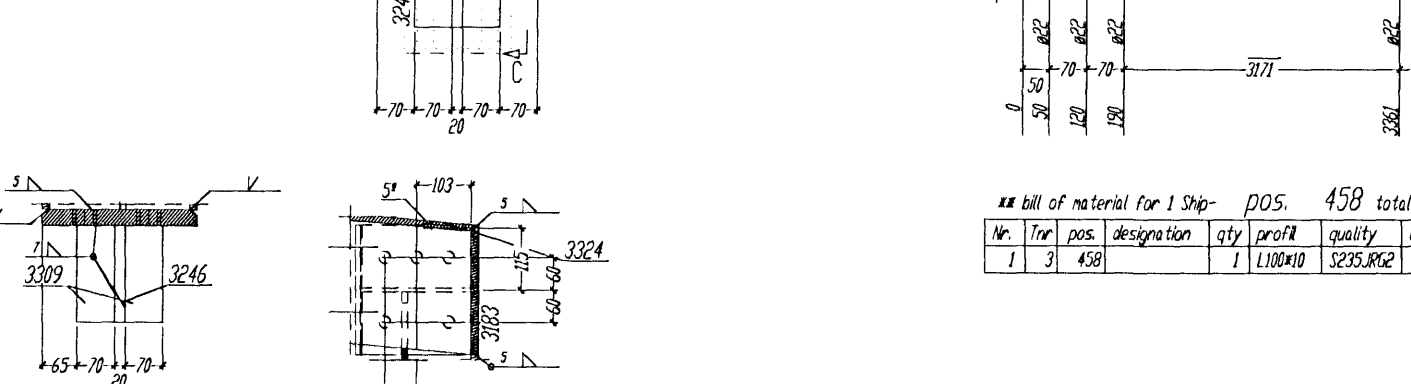
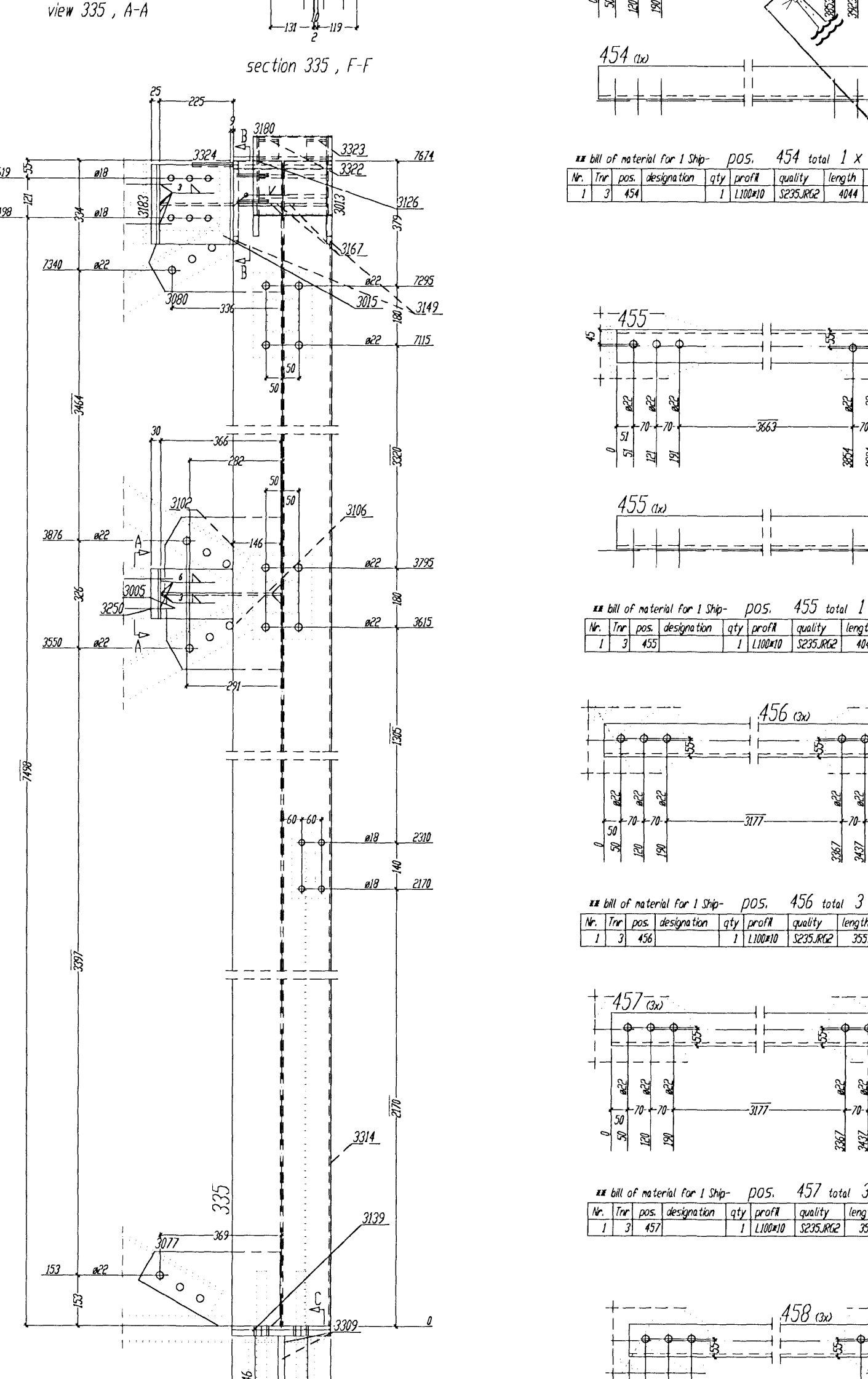
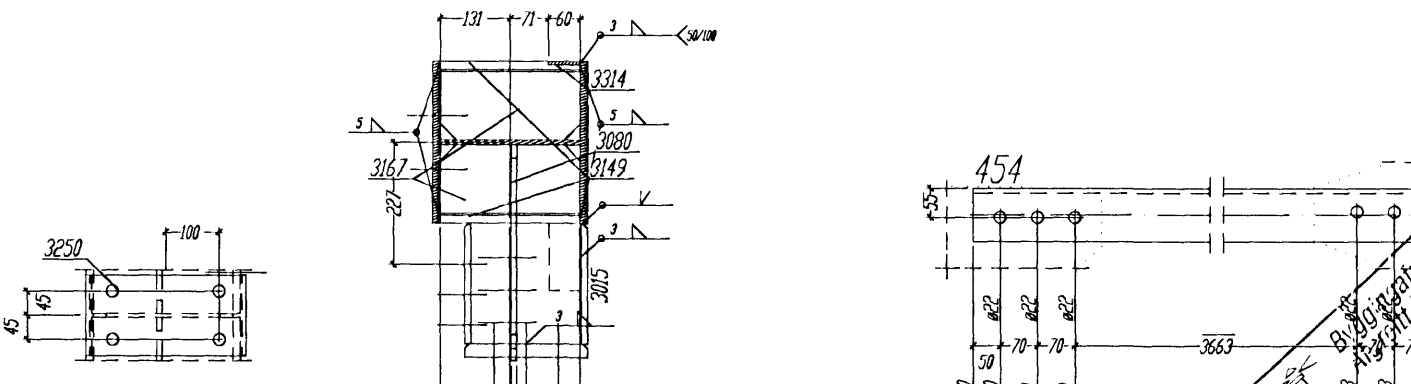
Shipping dimensions 01 x B x L x 107 x 530 x 798



bill of material for 1 ship - pos. 334 total 1 X done

№	Ter	pos.	designation	qty	profil	quality	length	weight	řm
1	3	334	1. R.104010	1	R.104010	S235JR2	7674	17157	
2	3	3035	1. PE300	1	PE300	S235JR2	364	1340	
3	3	3037	1. PE300	1	PE300	S235JR2	250	1037	
4	3	3044	1. R.104010	1	R.104010	S235JR2	700	5824	
5	3	3035	1. R.104010	1	R.104010	S235JR2	255	1327	
6	3	3037	2. R.104010	2	R.104010	S235JR2	255	741	
7	3	3030	1. R.104010	1	R.104010	S235JR2	250	823	
8	3	3042	1. R.104010	1	R.104010	S235JR2	230	637	
9	3	3036	1. R.104010	1	R.104010	S235JR2	255	675	
10	3	3035	1. R.104010	1	R.104010	S235JR2	255	826	
11	3	3039	1. R.104010	1	R.104010	S235JR2	300	2849	
12	3	3049	2. R.104010	2	R.104010	S235JR2	230	1528	
13	3	3047	2. R.104010	2	R.104010	S235JR2	170	439	
14	3	3036	1. R.104010	1	R.104010	S235JR2	250	1346	
15	3	3037	1. R.104010	1	R.104010	S235JR2	250	1037	
16	3	3045	1. R.104010	1	R.104010	S235JR2	180	432	
17	3	3050	1. R.115040	1	R.115040	S235JR2	300	1800	
18	3	3039	1. R.115040	1	R.115040	S235JR2	300	336	
19	3	3039	1. R.115040	1	R.115040	S235JR2	300	1029	
20	3	3039	1. R.115040	1	R.115040	S235JR2	300	1029	
21	3	3039	1. R.115040	1	R.115040	S235JR2	600	177	
22	3	3047	1. R.115040	1	R.115040	S235JR2	604	171	
23	3	3044	1. R.115040	1	R.115040	S235JR2	25	25	
total weight (kg)									29129

Shipping dimensions 01 x B x L x 107 x 530 x 798



bill of material for 1 ship - pos. 335 total 1 X done

№	Ter	pos.	designation	qty	profil	quality	length	weight	řm
1	3	335	1. R.104010	1	R.104010	S235JR2	7674	17157	
2	3	3035	1. PE300	1	PE300	S235JR2	364	1340	
3	3	3037	1. PE300	1	PE300	S235JR2	250	1037	
4	3	3044	1. R.104010	1	R.104010	S235JR2	700	5824	
5	3	3035	1. R.104010	1	R.104010	S235JR2	255	1327	
6	3	3037	2. R.104010	2	R.104010	S235JR2	255	741	
7	3	3030	1. R.104010	1	R.104010	S235JR2	250	823	
8	3	3042	1. R.104010	1	R.104010	S235JR2	230	637	
9	3	3036	1. R.104010	1	R.104010	S235JR2	255	675	
10	3	3035	1. R.104010	1	R.104010	S235JR2	255	826	
11	3	3039	1. R.104010	1	R.104010	S235JR2	300	2849	
12	3	3049	2. R.104010	2	R.104010	S235JR2	230	1528	
13	3	3047	2. R.104010	2	R.104010	S235JR2	170	439	
14	3	3036	1. R.104010	1	R.104010	S235JR2	250	1346	
15	3	3037	1. R.104010	1	R.104010	S235JR2	250	1037	
16	3	3045	1. R.104010	1	R.104010	S235JR2	180	432	
17	3	3050	1. R.115040	1	R.115040	S235JR2	300	1800	
18	3	3039	1. R.115040	1	R.115040	S235JR2	300	336	
19	3	3039	1. R.115040	1	R.115040	S235JR2	300	1029	
20	3	3039	1. R.115040	1	R.115040	S235JR2	300	1029	
21	3	3039	1. R.115040	1	R.115040	S235JR2	600	177	
22	3	3047	1. R.115040	1	R.115040	S235JR2	604	171	
23	3	3044	1. R.115040	1	R.115040	S235JR2	25	25	
total weight (kg)									29144

Shipping dimensions 01 x B x L x 107 x 530 x 798

bill of material for 1 ship - pos. 454 total 1 X done

№	Ter	pos.	designation	qty	profil	quality	length	weight	řm
1	3	454	1. R.104010	1	R.104010	S235JR2	4044	6187	
total weight (kg)									6187

bill of material for 1 ship - pos. 455 total 1 X done

№	Ter	pos.	designation	qty	profil	quality	length	weight	řm
1	3	455	1. R.104010	1	R.104010	S235JR2	4044	6187	
total weight (kg)									6187

bill of material for 1 ship - pos. 456 total 3 X done

№	Ter	pos.	designation	qty	profil	quality	length	weight	řm
1	3	456	1. R.104010	3	R.104010	S235JR2	3037	3372	
total weight (kg)									10116

bill of material for 1 ship - pos. 457 total 3 X done

№	Ter	pos.	designation	qty
---	-----	------	-------------	-----