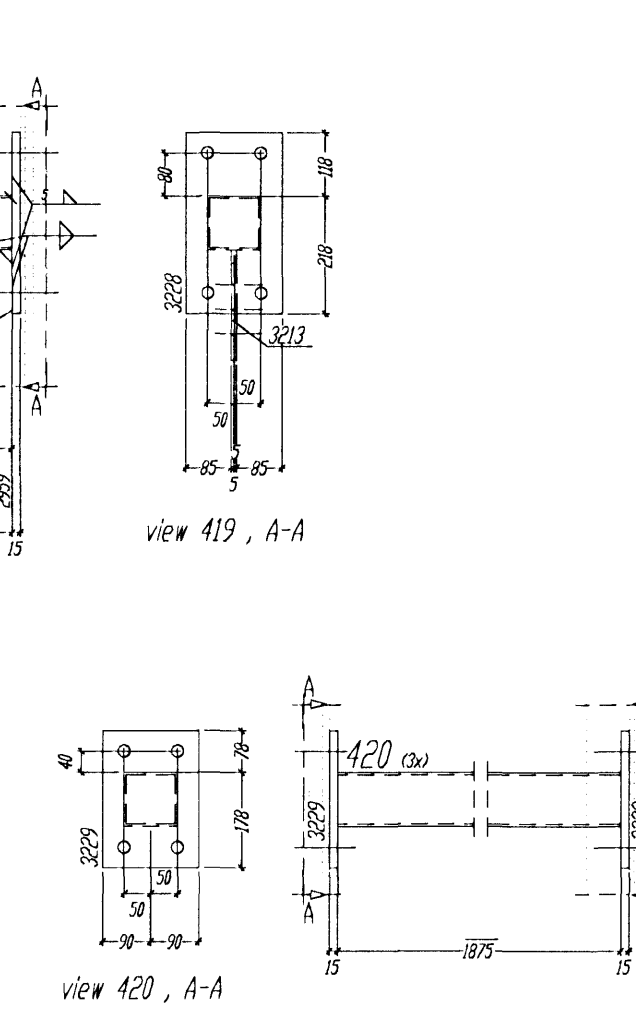


## Bill of material for 1 Ship. POS. 419 total 1 X done

Nr.	Tr.	pos.	designation	qty	profil	quality	length	weight	pin
1	3	419	1 M08004	1	S235JR2	2900	30.36		
2	3	322	1 M10405	2	S235JR2	200	3.38		
3	3	329	1 R15400	2	S235JR2	236	142		
4	3	329	1 R15400	2	S235JR2	236	543		
total weight (kg)									3129

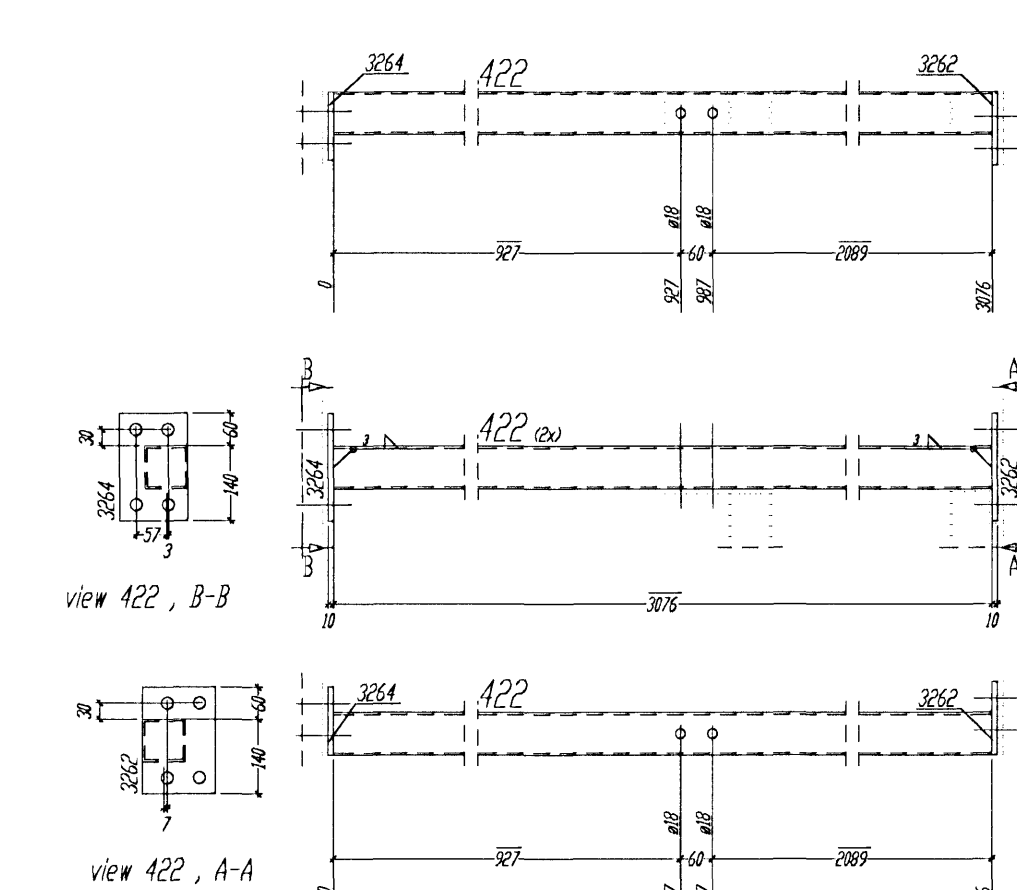
Shipping dimensions (H x B x L) 423 x 180 x 2389



## Bill of material for 1 Ship. POS. 420 total 3 X done

Nr.	Tr.	pos.	designation	qty	profil	quality	length	weight	pin
1	3	420	1 M08004	1	S235JR2	1925	20.40		
2	3	329	2 R15400	2	S235JR2	236	18.95		
total weight (kg)									39.35

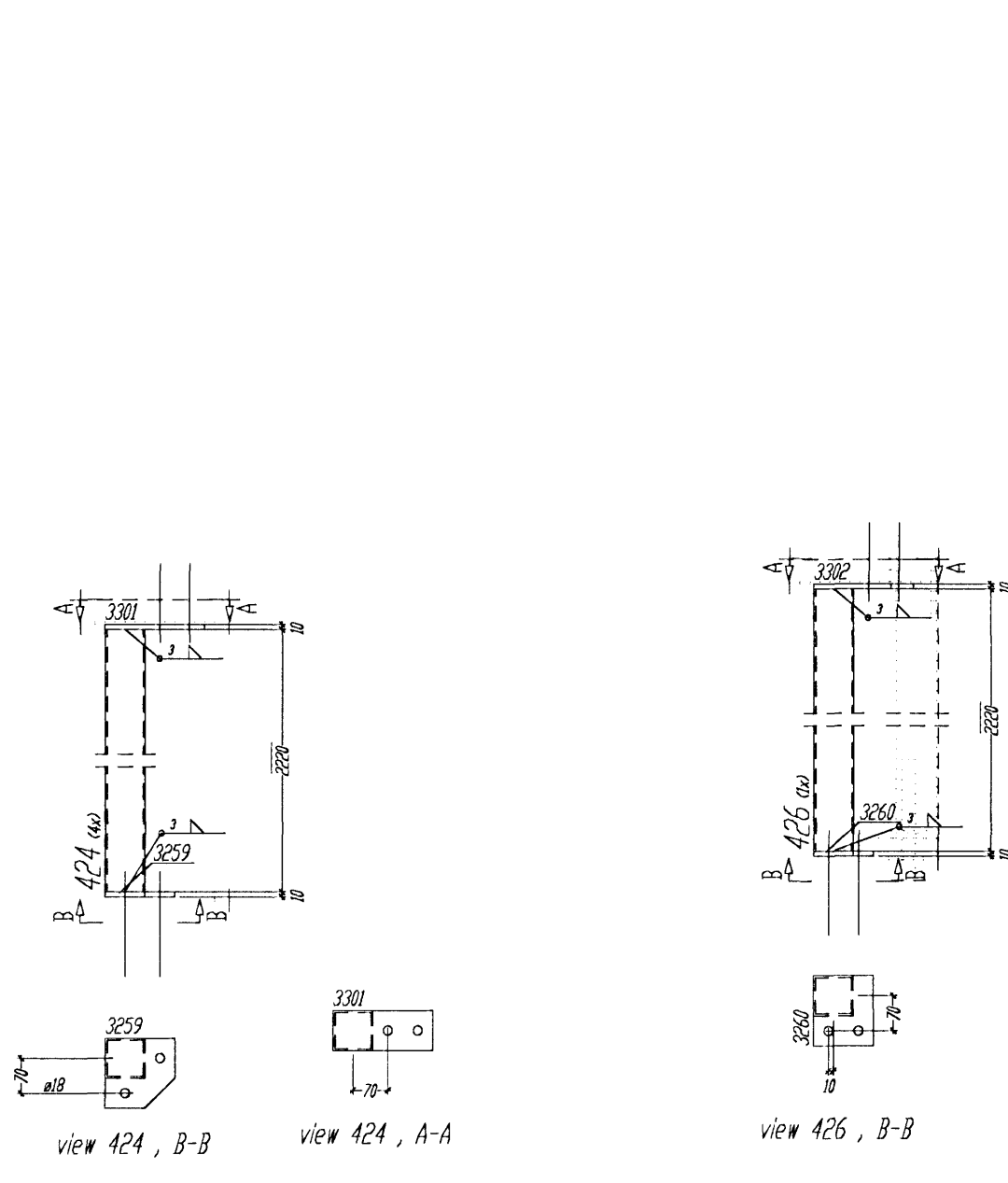
Shipping dimensions (H x B x L) 236 x 180 x 1785



## Bill of material for 1 Ship. POS. 422 total 2 X done

Nr.	Tr.	pos.	designation	qty	profil	quality	length	weight	pin
1	3	422	1 M08004	1	S235JR2	3078	29.83		
2	3	326	1 R10407	2	S235JR2	200	2.14		
3	3	324	1 R10408	2	S235JR2	200	2.18		
total weight (kg)									34.15

Shipping dimensions (H x B x L) 200 x 136 x 3096



## Bill of material for 1 Ship. POS. 424 total 4 X done

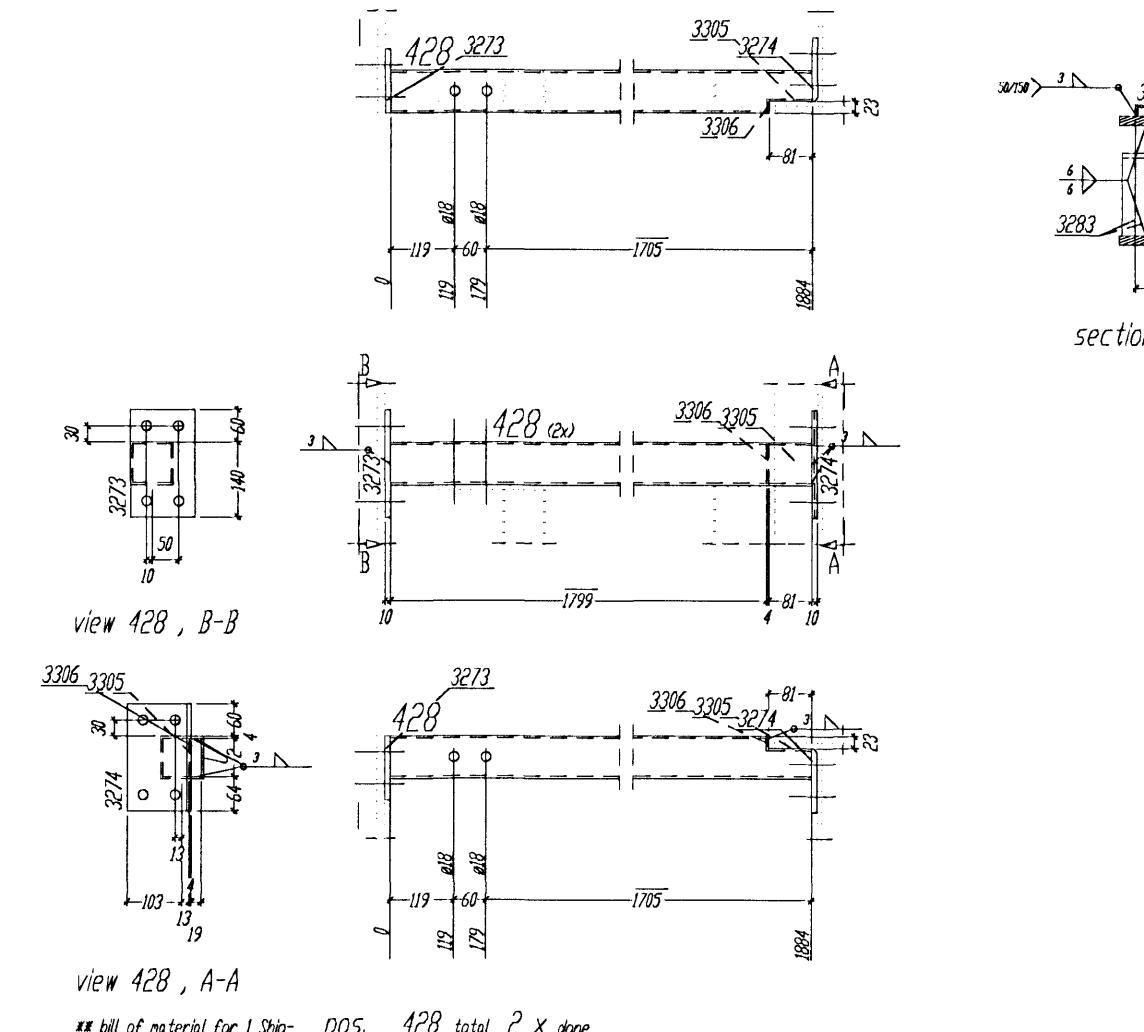
Nr.	Tr.	pos.	designation	qty	profil	quality	length	weight	pin
1	3	424	1 M08004	1	S235JR2	2220	20.95		
2	3	329	1 R10410	2	S235JR2	140	1.54		
3	3	308	1 R10402	2	S235JR2	200	1.26		
total weight (kg)									23.75

Shipping dimensions (H x B x L) 200 x 140 x 2240

## Bill of material for 1 Ship. POS. 426 total 1 X done

Nr.	Tr.	pos.	designation	qty	profil	quality	length	weight	pin
1	3	426	1 M08004	1	S235JR2	2220	20.95		
2	3	329	1 R10410	2	S235JR2	140	1.54		
3	3	308	1 R10402	2	S235JR2	200	1.26		
total weight (kg)									23.75

Shipping dimensions (H x B x L) 200 x 140 x 2240



## Bill of material for 1 Ship. POS. 428 total 2 X done

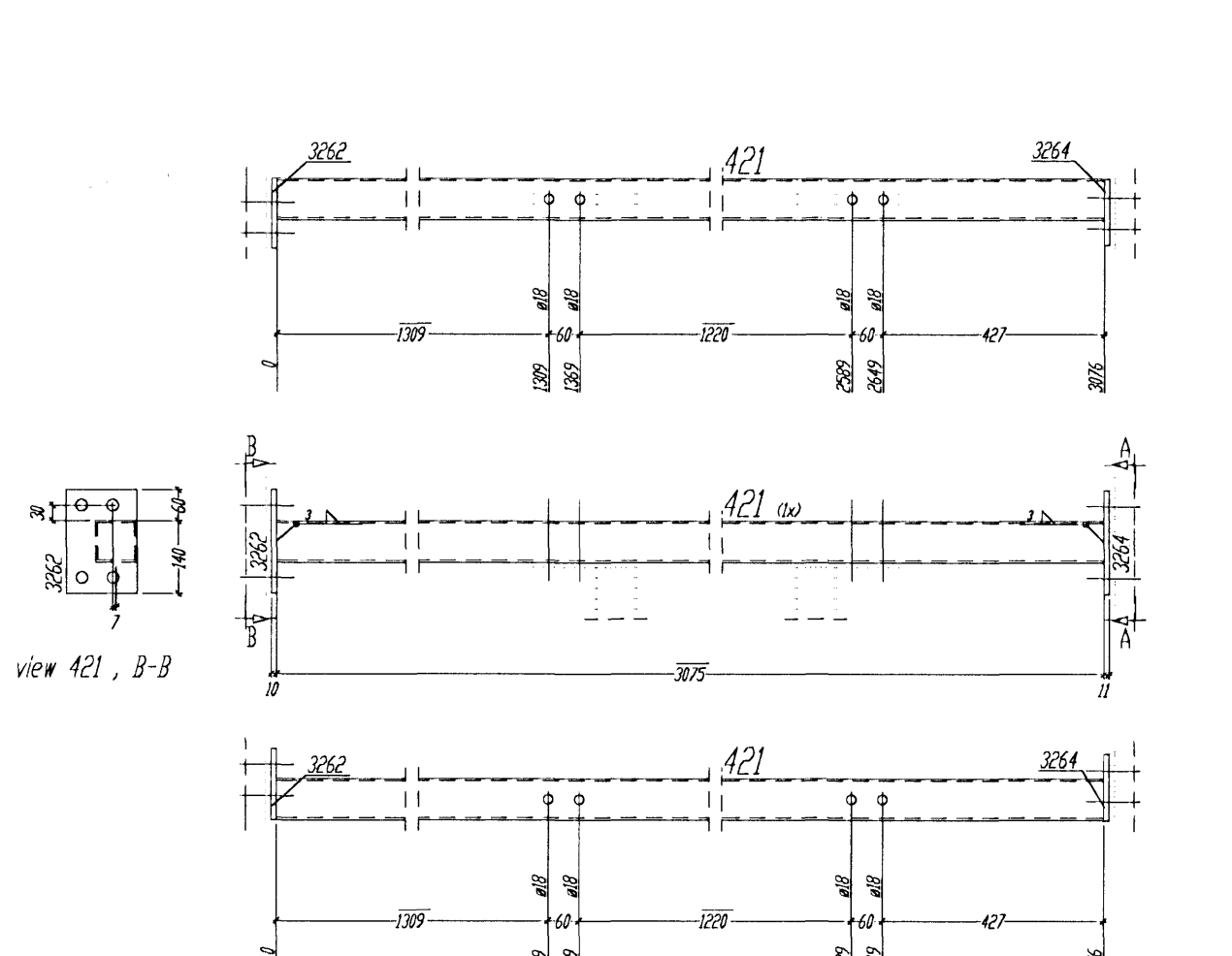
Nr.	Tr.	pos.	designation	qty	profil	quality	length	weight	pin
1	3	428	1 M08004	1	S235JR2	1884	17.78		
2	3	327	1 R10410	2	S235JR2	200	1.88		
3	3	324	1 R10410	2	S235JR2	200	1.88		
4	3	308	1 R10402	2	S235JR2	200	1.26		
5	3	306	1 R1412	2	S235JR2	23	1.8		
total weight (kg)									24.78

Shipping dimensions (H x B x L) 200 x 143 x 1884

## Bill of material for 1 Ship. POS. 346 total 1 X done

Nr.	Tr.	pos.	designation	qty	profil	quality	length	weight	pin
1	3	346	1 M08004	1	S235JR2	9182	90.25		
2	3	309	1 M0400	2	S235JR2	912	10.84		
3	3	329	3 R0405	3	S235JR2	1951	140.75		
4	3	323	1 M0400	1	S235JR2	1786	44.12		
5	3	329	2 R15400	2	S235JR2	236	32.34		
6	3	327	1 R10400	2	S235JR2	231	5.32		
7	3	329	1 R10400	2	S235JR2	231	14.94		
8	3	327	1 R10400	2	S235JR2	231	14.94		
9	3	342	1 R10400	2	S235JR2	250	20.12		
10	3	327	1 R10400	2	S235JR2	230	6.22		
11	3	326	1 R10400	2	S235JR2	285	5.92		
12	3	308	1 R10402	2	S235JR2	200	1.26		
13	3	321	4 R10406	4	S235JR2	100	6.42		
14	3	327	1 R10400	2	S235JR2	230	3.86		
15	3	322	2 R10400	2	S235JR2	149	4.57		
16	3	322	1 R10400	2	S235JR2	923	52.22		
17	3	320	1 R10402	2	S235JR2	170	1.62		
18	3	321	2 R10400	2	S235JR2	400	18.84		
19	3	326	1 R10400	2	S235JR2	170	1.52		
20	3	328	4 R10400	4	S235JR2	206	22.92		
21	3	329	2 R10400	2	S235JR2	231	4.79		
22	3	328	4 R10400	4	S235JR2	236	8.54		
23	3	326	2 R10400	2	S235JR2	154	3.19		
24	3	322	2 R10400	2	S235JR2	154	3.19		
25	3	320	12 R10400	12	S235JR2	250	25.43		
26	3	326	2 R10400	2	S235JR2	250	4.24		
27	3	320	6 R10400	6	S235JR2	170	8.52		
total weight (kg)									1884.17

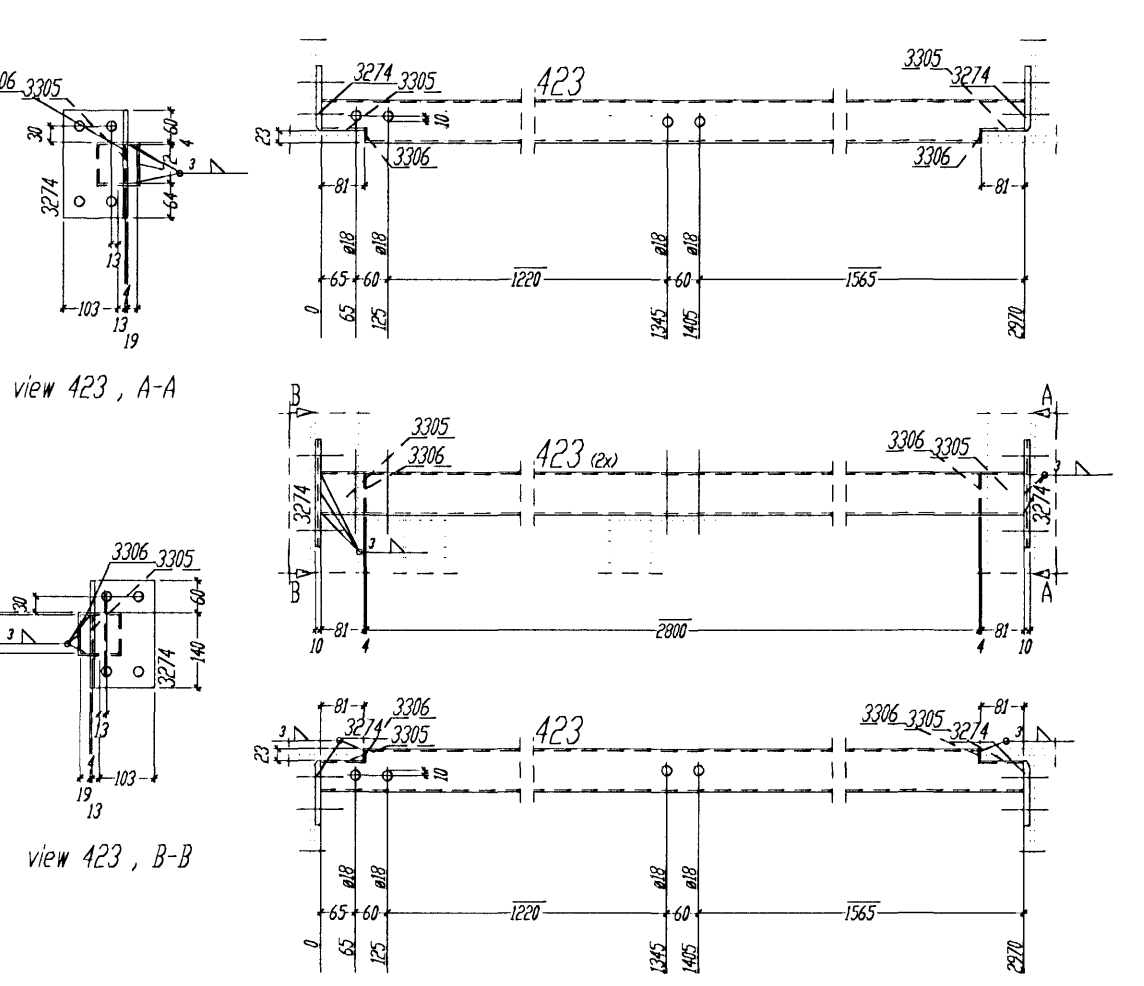
Shipping dimensions (H x B x L) 1007 x 548 x 9737



## Bill of material for 1 Ship. POS. 421 total 1 X done

Nr.	Tr.	pos.	designation	qty	profil	quality	length	weight	pin
1	3	421	1 M08004	1	S235JR2	2970	29.83		
2	3	324	2 R10407	2	S235JR2	200	2.14		
3	3	324	1 R10408	2	S235JR2	200	2.18		
total weight (kg)									34.15

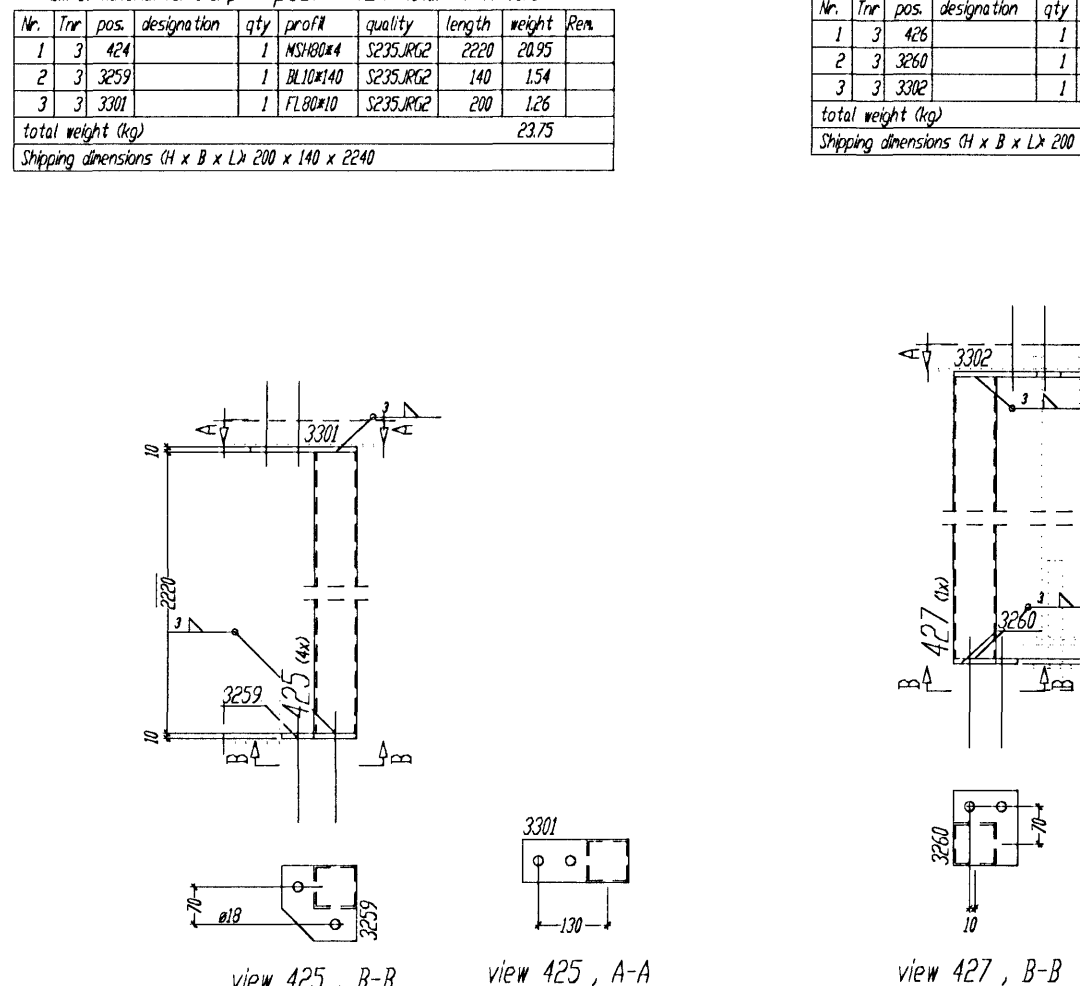
Shipping dimensions (H x B x L) 200 x 136 x 3096



## Bill of material for 1 Ship. POS. 423 total 2 X done

Nr.	Tr.	pos.	designation	qty	profil	quality	length	weight	pin
1	3	423	1 M08004	1	S235JR2	2970	29.83		
2	3	324	2 R10407	2	S235JR2	200	2.14		
3	3	324	1 R10408	2	S235JR2	200	2.18		
4	3	306	2 R1412	2	S235JR2	23	1.8		
total weight (kg)									34.27

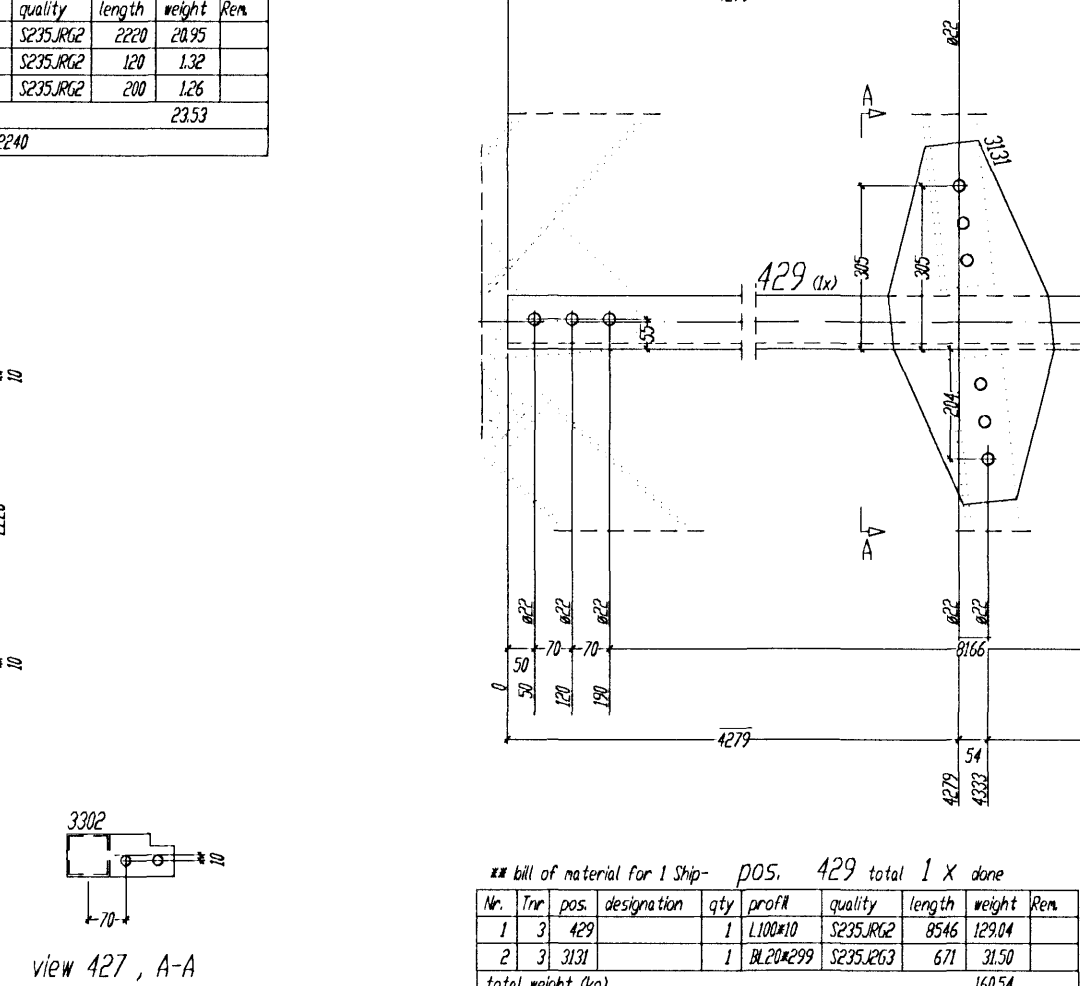
Shipping dimensions (H x B x L) 200 x 143 x 2970



## Bill of material for 1 Ship. POS. 425 total 4 X done

Nr.	Tr.	pos.	designation	qty	profil	quality	length	weight	pin
1	3	425	1 M08004	1	S235JR2	2220	20.95		
2	3	329	1 R10410	2	S235JR2	140	1.54		
3	3	308	1 R10402	2	S235JR2	200	1.26		
4	3	308	1 R10402	2	S235JR2	200	1.26		
total weight (kg)									23.75

Shipping dimensions (H x B x L) 200 x 140 x 2240



## Bill of material for 1 Ship. POS. 429 total 1 X done

Nr.	Tr.	pos.	designation	qty	profil	quality	length	weight	pin
1	3	429	1 M08004	1	S235JR2	2546	25.94		
2	3	328	1 R10400	2	S235JR2	671	31.50		
3	3	328	1 R10400	2	S235JR2	671	31.50		
total weight (kg)									143.44

Shipping dimensions (H x B x L) 678 x 128 x 2546

Fyrir hönd Conis ehf. kt. 600105-1400  
staðfestist að teikning þessi hefur verið  
yfirlit. Teikningin er í samræmi við  
Íslenska staðla og reglugerðir. 23/9/07

*Signature* 130657-4113  
Nafn Kennitala

Tolerance for welded constructions  
According to DIN 9570, Pt1-3/B1,10/B7

Welding (C/P S) according to  
DIN-EN 888 - 2

All unmarked welds to be fillet  
continuous a=4mm thick,  
not greater than 0.7 d  
of the thinner element

The material for cap plates >20 mm thick  
to be examined for laminations

BIURO INZYNIERSKIE  
Marek i Janina MUCHA  
Dsziny, ul. Dpolska 30a, 46-070 Komprachcice tel.077-46 46 757

Pos.346, 419-429

TJARNARVELLIR 11  
Steel- Storage house

DRG 211