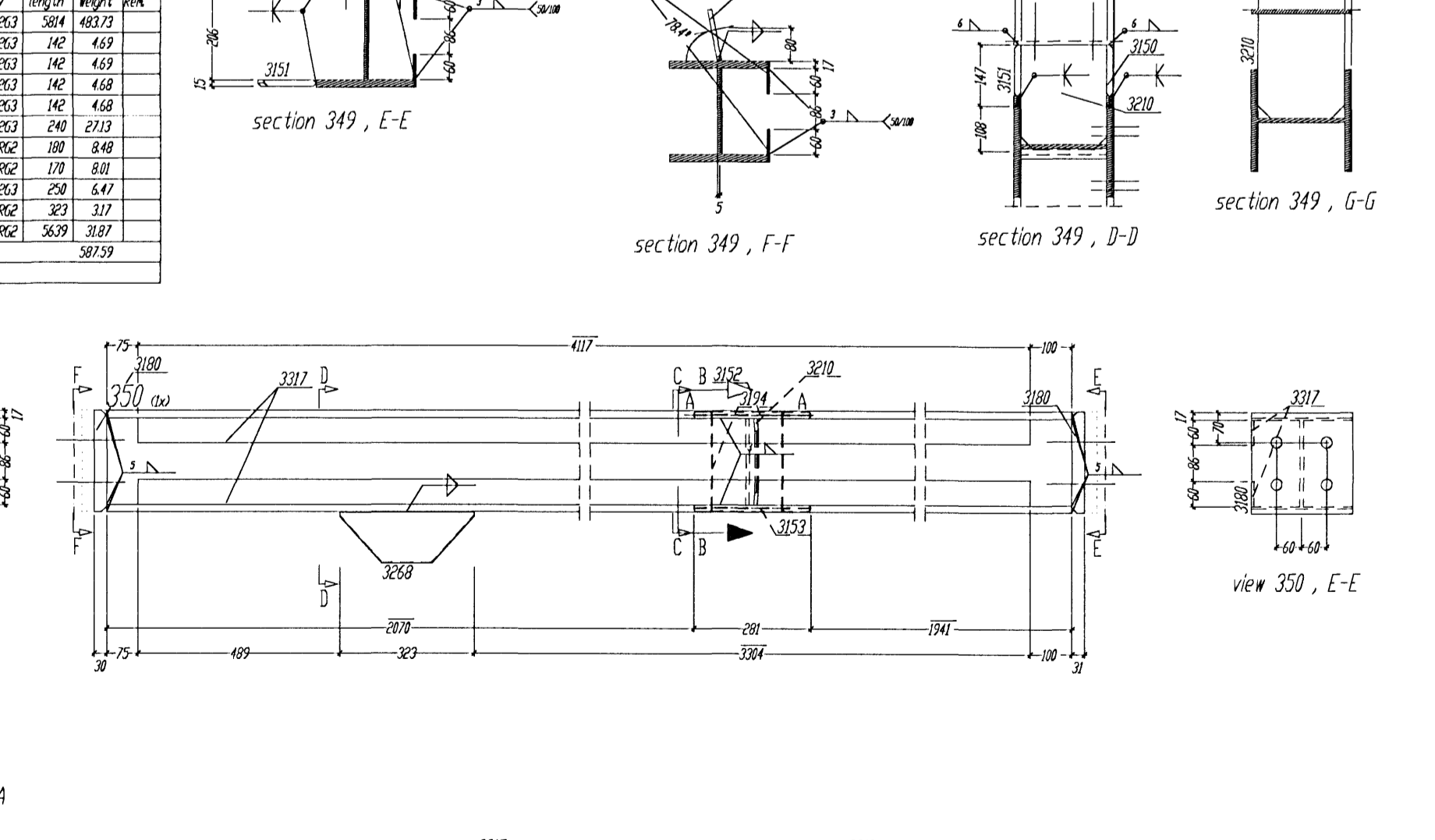
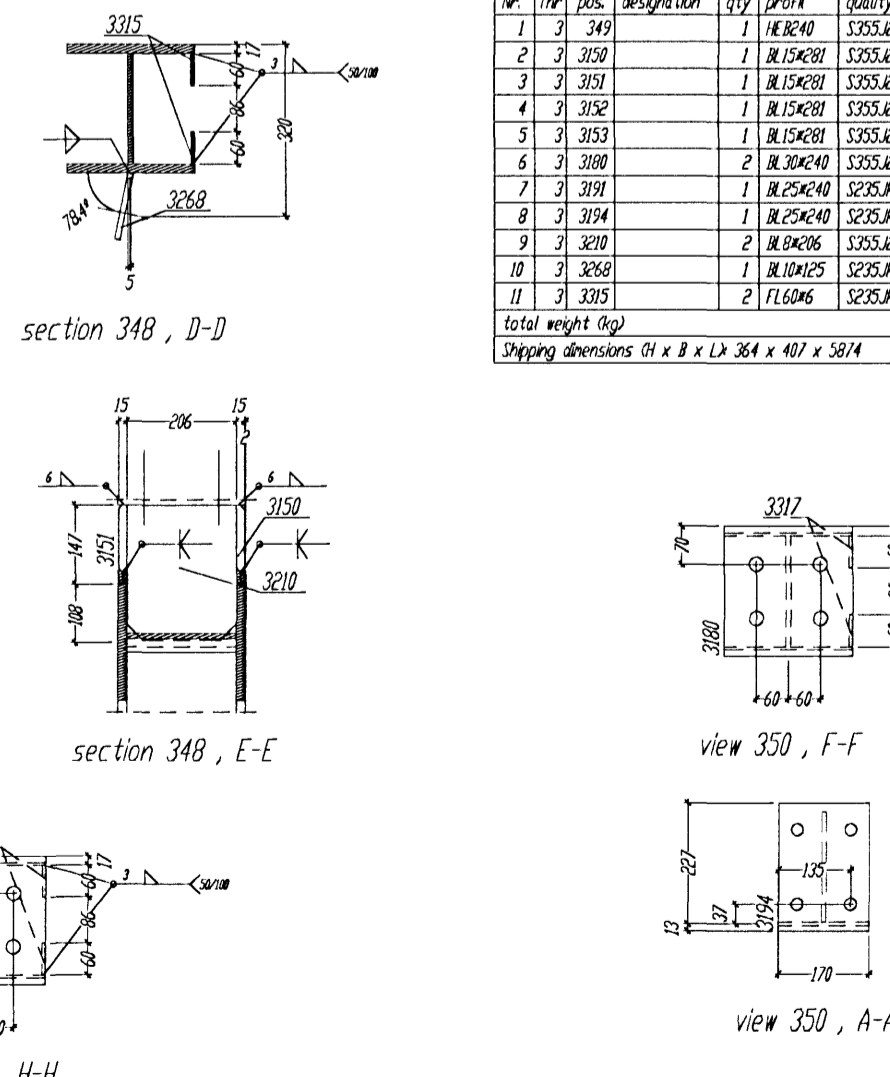
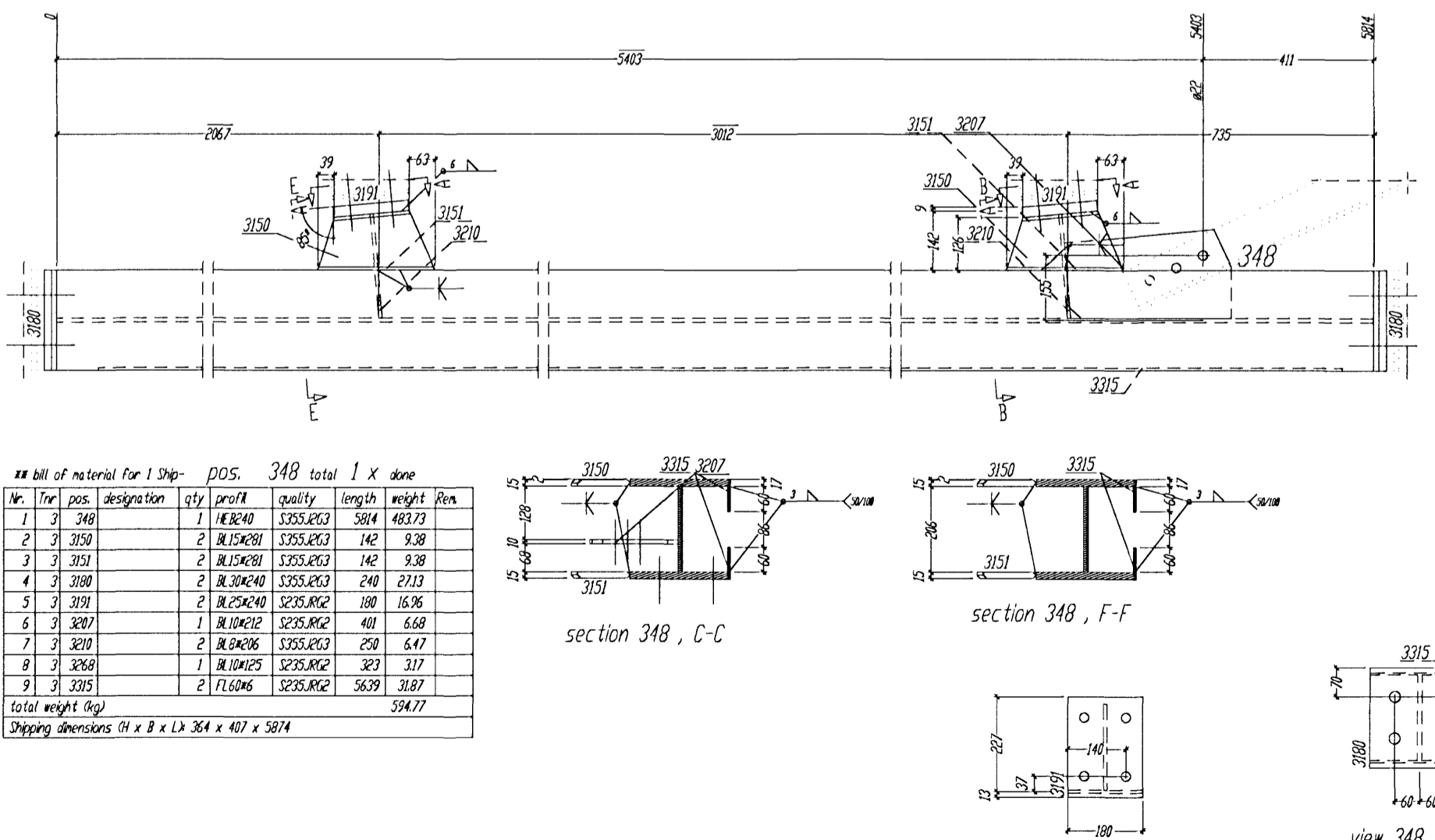


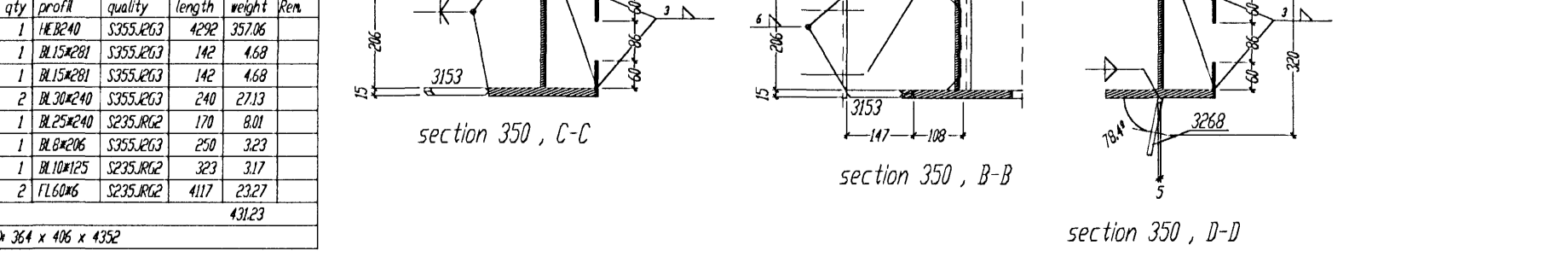
Bill of material for 1 Ship. DOS. 347 total 1 X done

№	Ter. pos.	designation	qty	profil	quality	length	weight	Prm
1	347	1 R.16400	1	S235JR	S235JR	9120	80125	
2	349	1 R.16400	1	S235JR	S235JR	9120	80125	
3	349	1 R.16400	1	S235JR	S235JR	9120	80125	
4	349	1 R.16400	1	S235JR	S235JR	9120	80125	
5	349	1 R.16400	1	S235JR	S235JR	9120	80125	
6	349	1 R.16400	1	S235JR	S235JR	9120	80125	
7	349	1 R.16400	1	S235JR	S235JR	9120	80125	
8	349	1 R.16400	1	S235JR	S235JR	9120	80125	
9	349	1 R.16400	1	S235JR	S235JR	9120	80125	
10	349	1 R.16400	1	S235JR	S235JR	9120	80125	
11	349	1 R.16400	1	S235JR	S235JR	9120	80125	
12	349	1 R.16400	1	S235JR	S235JR	9120	80125	
13	349	1 R.16400	1	S235JR	S235JR	9120	80125	
14	349	1 R.16400	1	S235JR	S235JR	9120	80125	
15	349	1 R.16400	1	S235JR	S235JR	9120	80125	
16	349	1 R.16400	1	S235JR	S235JR	9120	80125	
17	349	1 R.16400	1	S235JR	S235JR	9120	80125	
18	349	1 R.16400	1	S235JR	S235JR	9120	80125	
19	349	1 R.16400	1	S235JR	S235JR	9120	80125	
20	349	1 R.16400	1	S235JR	S235JR	9120	80125	
21	349	1 R.16400	1	S235JR	S235JR	9120	80125	
22	349	1 R.16400	1	S235JR	S235JR	9120	80125	
23	349	1 R.16400	1	S235JR	S235JR	9120	80125	
24	349	1 R.16400	1	S235JR	S235JR	9120	80125	
25	349	1 R.16400	1	S235JR	S235JR	9120	80125	
26	349	1 R.16400	1	S235JR	S235JR	9120	80125	
27	349	1 R.16400	1	S235JR	S235JR	9120	80125	
total weight (kg)							804.36	
Shipping dimensions (l x B x H) 1200 x 540 x 970								



Bill of material for 1 Ship. DOS. 348 total 1 X done

№	Ter. pos.	designation	qty	profil	quality	length	weight	Prm
1	348	1 R.16400	1	S235JR	S235JR	9120	80125	
2	349	1 R.16400	1	S235JR	S235JR	9120	80125	
3	349	1 R.16400	1	S235JR	S235JR	9120	80125	
4	349	1 R.16400	1	S235JR	S235JR	9120	80125	
5	349	1 R.16400	1	S235JR	S235JR	9120	80125	
6	349	1 R.16400	1	S235JR	S235JR	9120	80125	
7	349	1 R.16400	1	S235JR	S235JR	9120	80125	
8	349	1 R.16400	1	S235JR	S235JR	9120	80125	
9	349	1 R.16400	1	S235JR	S235JR	9120	80125	
10	349	1 R.16400	1	S235JR	S235JR	9120	80125	
11	349	1 R.16400	1	S235JR	S235JR	9120	80125	
12	349	1 R.16400	1	S235JR	S235JR	9120	80125	
13	349	1 R.16400	1	S235JR	S235JR	9120	80125	
14	349	1 R.16400	1	S235JR	S235JR	9120	80125	
15	349	1 R.16400	1	S235JR	S235JR	9120	80125	
16	349	1 R.16400	1	S235JR	S235JR	9120	80125	
17	349	1 R.16400	1	S235JR	S235JR	9120	80125	
18	349	1 R.16400	1	S235JR	S235JR	9120	80125	
19	349	1 R.16400	1	S235JR	S235JR	9120	80125	
20	349	1 R.16400	1	S235JR	S235JR	9120	80125	
21	349	1 R.16400	1	S235JR	S235JR	9120	80125	
22	349	1 R.16400	1	S235JR	S235JR	9120	80125	
23	349	1 R.16400	1	S235JR	S235JR	9120	80125	
24	349	1 R.16400	1	S235JR	S235JR	9120	80125	
25	349	1 R.16400	1	S235JR	S235JR	9120	80125	
26	349	1 R.16400	1	S235JR	S235JR	9120	80125	
27	349	1 R.16400	1	S235JR	S235JR	9120	80125	
total weight (kg)							804.36	
Shipping dimensions (l x B x H) 1200 x 540 x 970								



Bill of material for 1 Ship. DOS. 350 total 1 X done

№	Ter. pos.	designation	qty	profil	quality	length	weight	Prm
1	350	1 R.16400	1	S235JR	S235JR	9120	80125	
2	350	1 R.16400	1	S235JR	S235JR	9120	80125	
3	350	1 R.16400	1	S235JR	S235JR	9120	80125	
4	350	1 R.16400	1	S235JR	S235JR	9120	80125	
5	350	1 R.16400	1	S235JR	S235JR	9120	80125	
6	350	1 R.16400	1	S235JR	S235JR	9120	80125	
7	350	1 R.16400	1	S235JR	S235JR	9120	80125	
8	350	1 R.16400	1	S235JR	S235JR	9120	80125	
9	350	1 R.16400	1	S235JR	S235JR	9120	80125	
10	350	1 R.16400	1	S235JR	S235JR	9120	80125	
11	350	1 R.16400	1	S235JR	S235JR	9120	80125	
12	350	1 R.16400	1	S235JR	S235JR	9120	80125	
13	350	1 R.16400	1	S235JR	S235JR	9120	80125	
14	350	1 R.16400	1	S235JR	S235JR	9120	80125	
15	350	1 R.16400	1	S235JR	S235JR	9120	80125	
16	350	1 R.16400	1	S235JR	S235JR	9120	80125	
17	350	1 R.16400	1	S235JR	S235JR	9120	80125	
18	350	1 R.16400	1	S235JR	S235JR	9120	80125	
19	350	1 R.16400	1	S235JR	S235JR	9120	80125	
20	350	1 R.16400	1	S235JR	S235JR	9120	80125	
21	350	1 R.16400	1	S235JR	S235JR	9120	80125	
22	350	1 R.16400	1	S235JR	S235JR	9120	80125	
23	350	1 R.16400	1	S235JR	S235JR	9120	80125	
24	350	1 R.16400	1	S235JR	S235JR	9120	80125	
25	350	1 R.16400	1	S235JR	S235JR	9120	80125	
26	350	1 R.16400	1	S235JR	S235JR	9120	80125	
27	350	1 R.16400	1	S235JR	S235JR	9120	80125	
total weight (kg)							804.36	
Shipping dimensions (l x B x H) 1200 x 540 x 970								

Fyrir hönd Conis ehf. kt. 600105-1400
staðfestist að teikning þessi hefur verið
yfirlit. Teikningin er í samræmi við
Íslenska stöðla og reglugerðir. 28.9.07
Silmur B 130657-0435
Náfn Kennitala

Tolerance for welded constructions
according to DIN 8570, Pt.1/3/B/C, D/BZ
Welding (W P S) according to
DIN-EN 288 - 2
All unmarked welds to be fillet
continuous 4-fan thick,
not greater than 0.7 d
of the thinner element
The test for cap plates 200 mm thick
to be examined for laminations

BIURO INŻYNIERSKIE
Marek i Janina MUCHA
Dzielnia, ul. Działowa 30a, 46-070 Komprachcice tel.077-46 46 757
Pos.347-350
TARNARVELLIR 11
Steel- Storage house
DRG 212