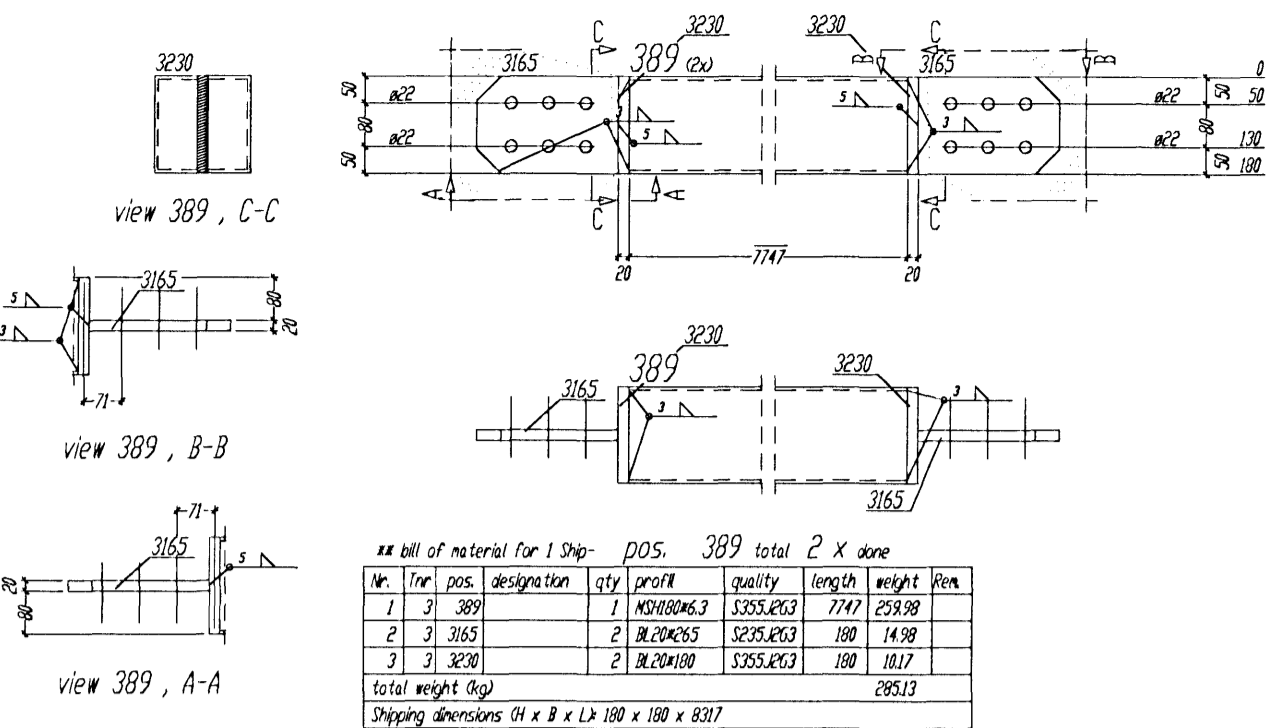


Þvingunsmálfræðingur
18 FEB 2008



Bill of material for 1 Ship: POS. 389 total 2 X done

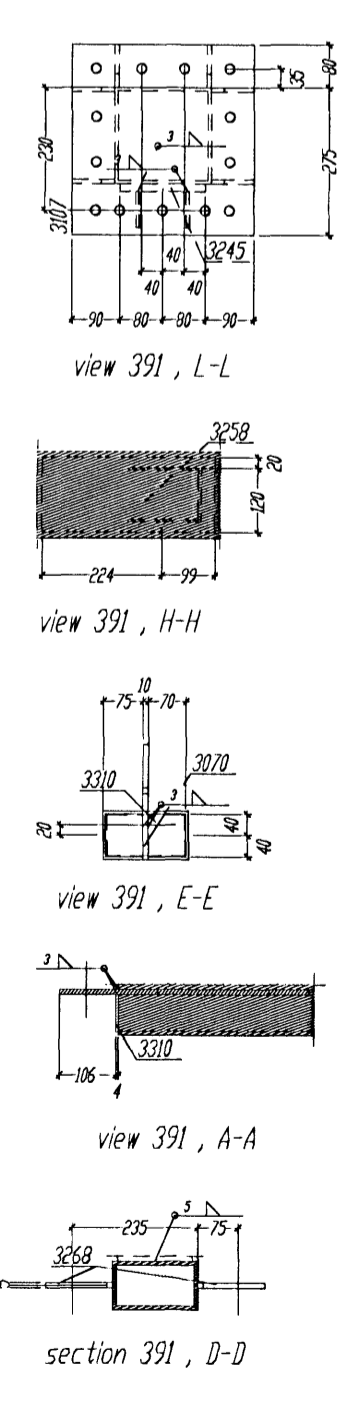
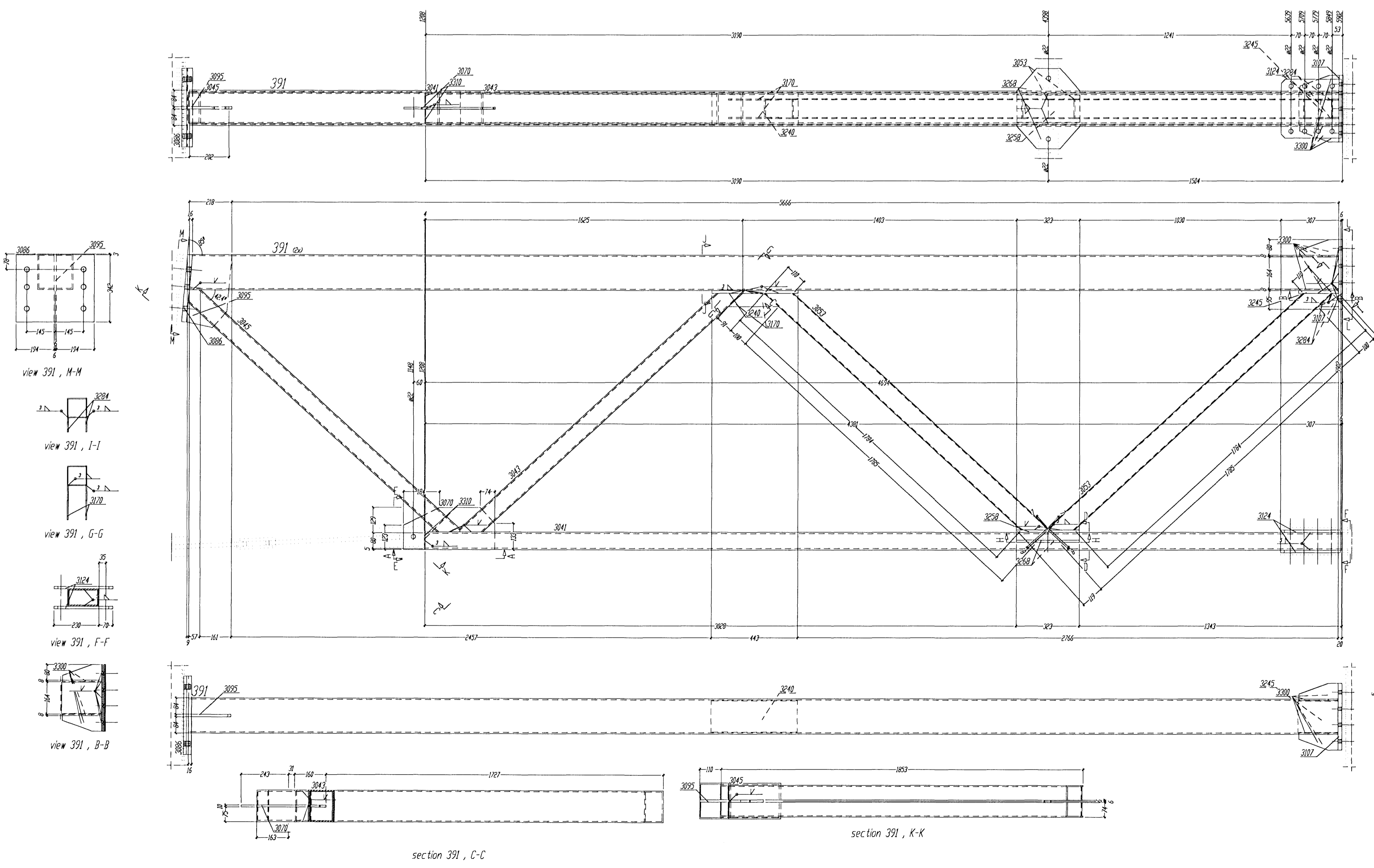
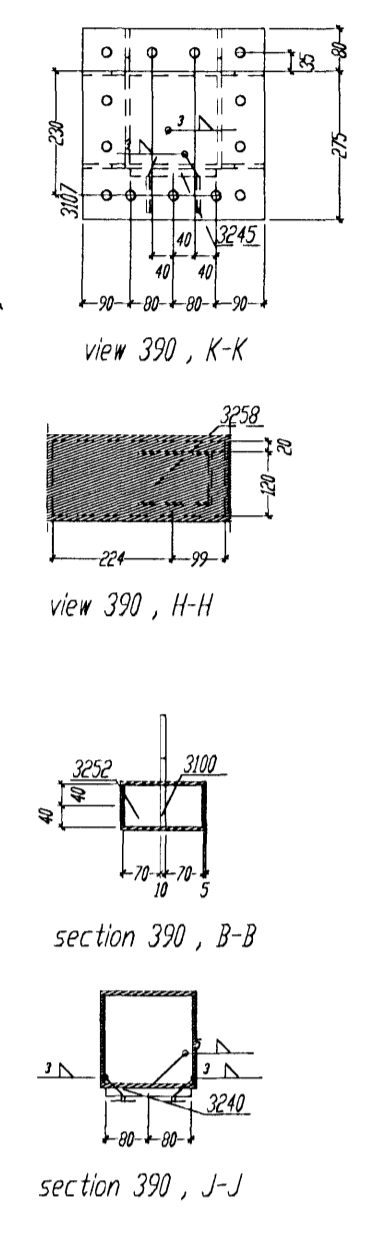
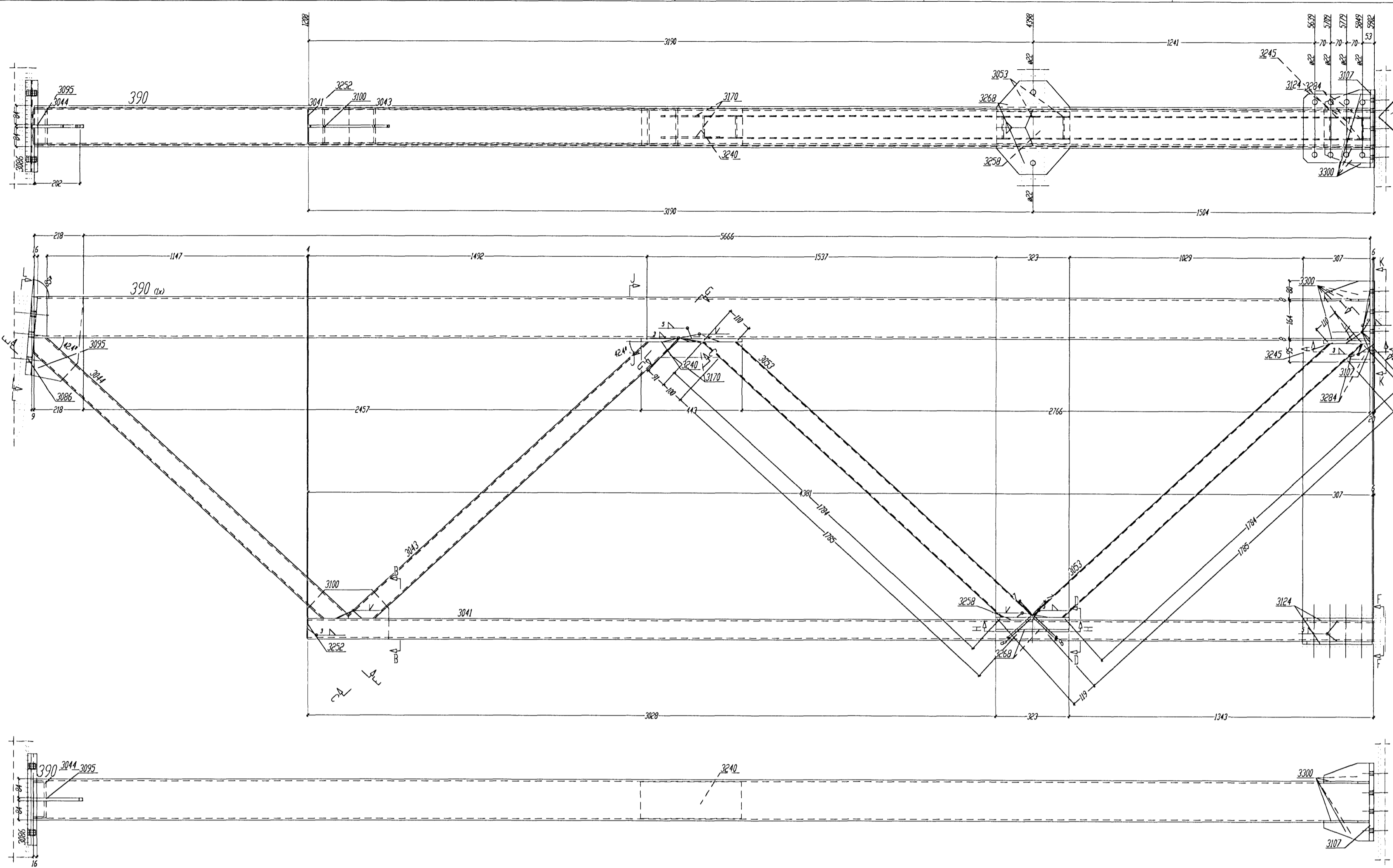
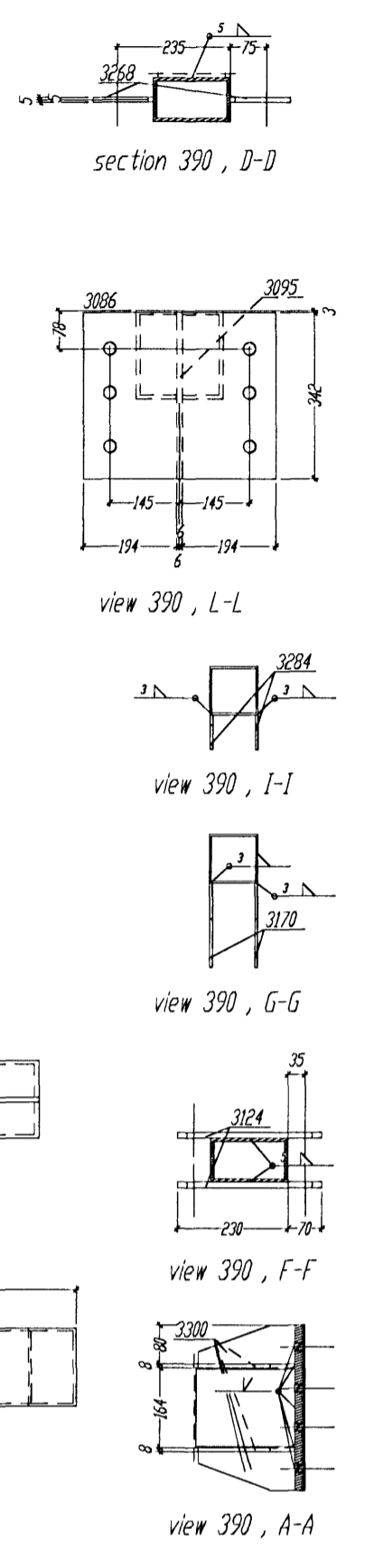
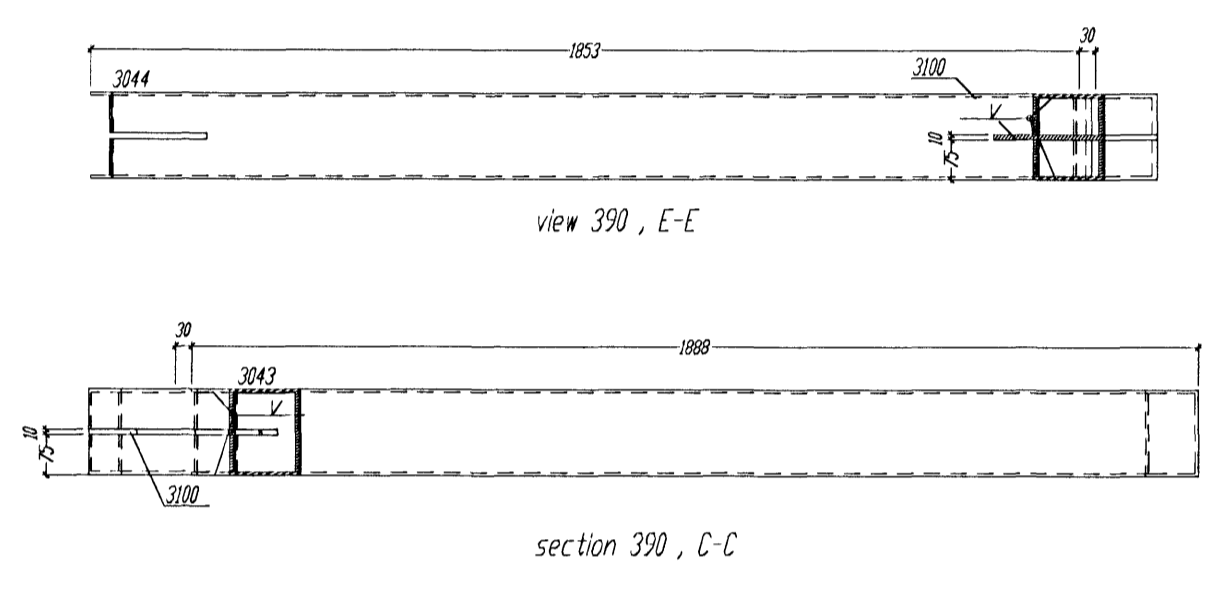
No.	Qty	Designation	Sty	Prof	Quality	Length	Weight	Dim
1	2	389	1	NO500463	S235,EP2	7747	259,88	
2	2	385	2	R.020403	S235,EP2	180	14,98	
3	2	381	2	R.020108	S235,EP2	180	18,17	

total weight (kg): 285,17
Shipping dimensions (l x b x h) 180 x 180 x 837

Bill of material for 1 Ship: POS. 390 total 1 X done

No.	Qty	Designation	Sty	Prof	Quality	Length	Weight	Dim
1	2	390	1	NO50049	S235,EP2	5884	246,68	
2	2	3041	1	NO5004001	S235,EP2	4594	188,59	
3	2	3043	1	NO5004045	S235,EP2	1888	88,43	
4	2	3044	1	NO5004045	S235,EP2	1853	37,73	
5	2	3053	2	NO50044	S235,EP2	1885	43,05	
6	2	3088	1	R.020410	S235,EP2	242	26,83	
7	2	3093	1	R.020439	S235,EP2	200	22,77	
8	2	3100	1	R.020456	S235,EP2	214	6,08	
9	2	3107	1	R.020430	S235,EP2	255	18,97	
10	2	3124	2	R.020400	S235,EP2	307	17,25	
11	2	3110	2	R.020459	S235,EP2	67	1,64	
12	2	3140	1	R.020460	S235,EP2	443	8,34	
13	2	3145	1	R.020460	S235,EP2	295	3,86	
14	2	3152	1	R.020460	S235,EP2	88	3,8	
15	2	3158	1	R.020462	S235,EP2	323	4,26	
16	2	3159	2	R.020425	S235,EP2	323	6,34	
17	2	3164	2	R.020406	S235,EP2	67	6,7	
18	2	3180	6	R.02040	S235,EP2	288	6,83	

total weight (kg): 594,25
Shipping dimensions (l x b x h) 1292 x 410 x 593



Bill of material for 1 Ship: POS. 391 total 2 X done

No.	Qty	Designation	Sty	Prof	Quality	Length	Weight	Dim
1	2	391	1	NO500463	S235,EP2	5884	246,68	
2	2	3041	1	NO5004001	S235,EP2	4594	188,59	
3	2	3043	1	NO5004045	S235,EP2	1888	88,43	
4	2	3044	1	NO5004045	S235,EP2	1853	37,73	
5	2	3053	2	NO50044	S235,EP2	1885	43,05	
6	2	3088	1	R.020410	S235,EP2	242	26,83	
7	2	3093	1	R.020439	S235,EP2	200	22,77	
8	2	3100	1	R.020456	S235,EP2	214	6,08	
9	2	3107	1	R.020430	S235,EP2	255	18,97	
10	2	3124	2	R.020400	S235,EP2	307	17,25	
11	2	3110	2	R.020459	S235,EP2	67	1,64	
12	2	3140	1	R.020460	S235,EP2	443	8,34	
13	2	3145	1	R.020460	S235,EP2	295	3,86	
14	2	3152	1	R.020460	S235,EP2	88	3,8	
15	2	3158	1	R.020462	S235,EP2	323	4,26	
16	2	3159	2	R.020425	S235,EP2	323	6,34	
17	2	3164	2	R.020406	S235,EP2	67	6,7	
18	2	3180	6	R.02040	S235,EP2	288	6,83	

total weight (kg): 546,92
Shipping dimensions (l x b x h) 1292 x 410 x 593

Fyrir hönd Conis ehf, kt. 600105-1400
staðfestist að teikning þessi hefur verið
yfirlitinn. Teikningin er í samræmi við
Íslenska staðla og reglugerðir. 27/107

John B
Nafn Kennitala 130657-41137

Tolerance for welded constructions
According to DIN 8570, Pt1+2/B4,1087
Welding (V P S) according to
DIN-EN 288 - 2

Required torsion prestressing forces and forced
tension angles according to DIN 18800 Pt. 7, 05.83

All unmarked welds to be fillet
continuous a-firm thick,
not greater than 0,7 d
of the thinner element

The material for cap plates 320 mm thick
to be examined for laminations

BIURO INZYNIERSKIE
Marek i Janina MUCHA
Dsiiny, ul. Opolska 30a, 46-070 Komprachcice tel.077-46 46 757

Pos.389-391

TJARNARVELLIR 11
Steel- Storage house

DRG 223