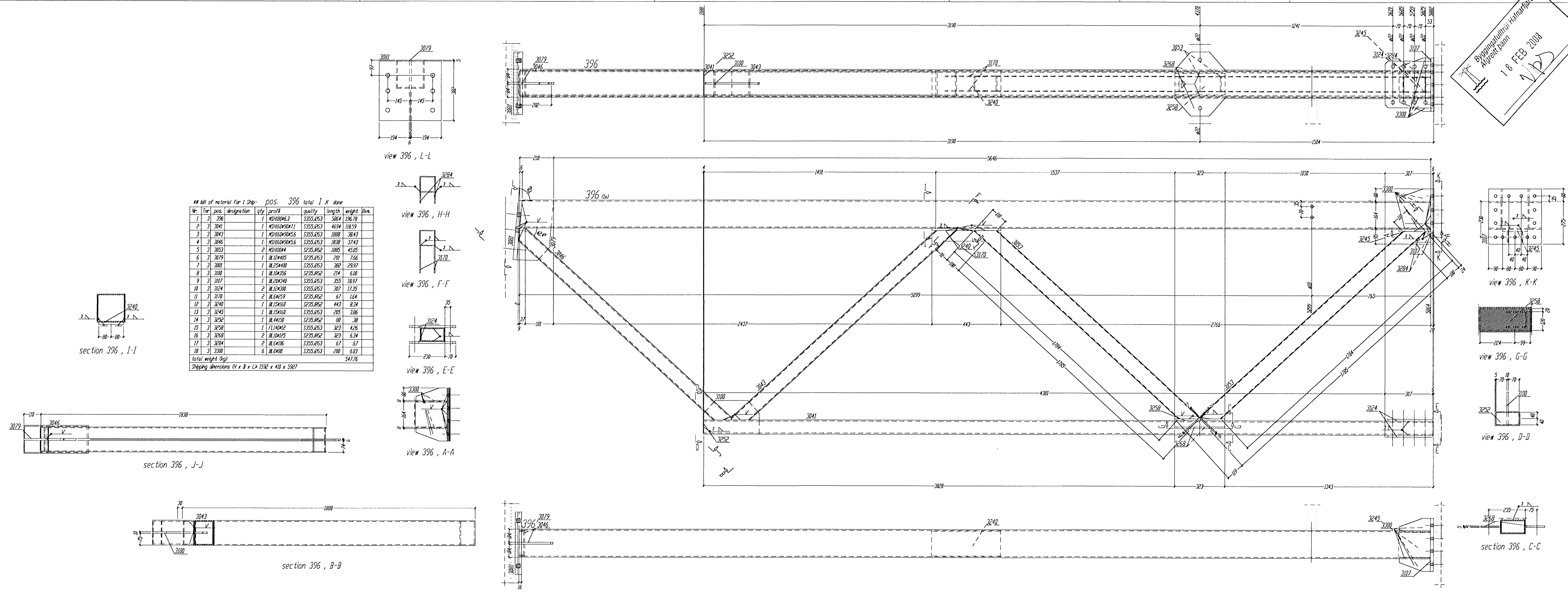
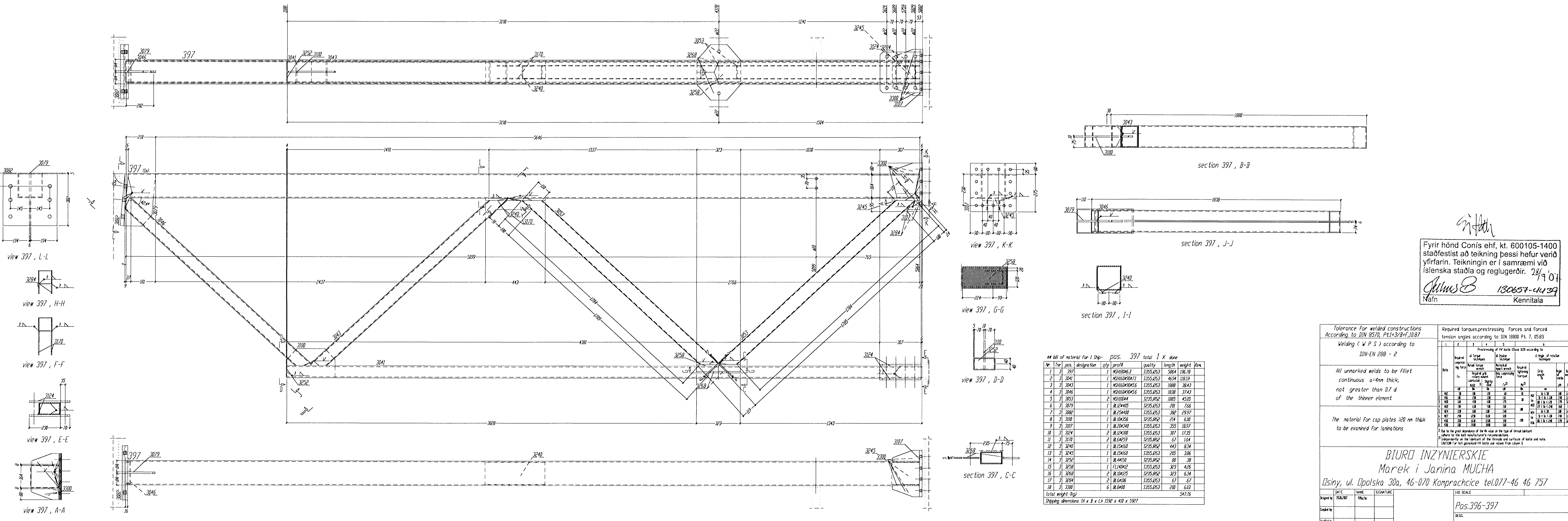


Byggingarhúsið í Hamarhæð
Alfríð Jónsson
18 FEB 2008
NBS



Bill of material for 1 Shop - POS. 396 total 1 X done

| № | Trn. pos. | designation | qty | profil | quality | length | weight | Pin |
|---|-----------|-------------|-----|-----------|-----------|--------|--------|-----|
| 1 | 396 | 1 | 1 | MD030M6.2 | S235,AR52 | 3664 | 136.78 | |
| 2 | 3041 | 1 | 1 | MD030M9.1 | S235,AR52 | 4534 | 188.59 | |
| 3 | 3043 | 1 | 1 | MD030M9.5 | S235,AR52 | 1888 | 38.43 | |
| 4 | 3046 | 1 | 1 | MD030M9.5 | S235,AR52 | 1838 | 37.43 | |
| 5 | 3053 | 2 | 2 | MD030M4 | S235,AR52 | 1885 | 45.05 | |
| 6 | 3071 | 1 | 1 | RL04M5 | S235,AR52 | 200 | 7.56 | |
| 7 | 3081 | 1 | 1 | RL05M10 | S235,AR52 | 382 | 29.97 | |
| 8 | 3100 | 1 | 1 | RL04M5 | S235,AR52 | 214 | 6.00 | |
| 9 | 3107 | 1 | 1 | RL04M10 | S235,AR52 | 255 | 18.97 | |
| 10 | 3124 | 2 | 2 | RL04M10 | S235,AR52 | 307 | 17.35 | |
| 11 | 3139 | 2 | 2 | RL04M10 | S235,AR52 | 67 | 1.64 | |
| 12 | 3140 | 1 | 1 | RL04M10 | S235,AR52 | 443 | 8.34 | |
| 13 | 3145 | 1 | 1 | RL04M10 | S235,AR52 | 205 | 3.86 | |
| 14 | 3152 | 1 | 1 | RL04M10 | S235,AR52 | 80 | 3.8 | |
| 15 | 3156 | 1 | 1 | FL10M12 | S235,AR52 | 323 | 4.26 | |
| 16 | 3160 | 2 | 2 | RL04M10 | S235,AR52 | 323 | 6.34 | |
| 17 | 3164 | 2 | 2 | RL04M10 | S235,AR52 | 67 | 6.7 | |
| 18 | 3200 | 6 | 6 | RL04M10 | S235,AR52 | 200 | 6.03 | |
| Total weight (kg) | | | | | | | 547.76 | |
| Shipping dimensions 01 x B x L x 1500 x 410 x 500 | | | | | | | | |



Bill of material for 1 Shop - POS. 397 total 1 X done

| № | Trn. pos. | designation | qty | profil | quality | length | weight | Pin |
|---|-----------|-------------|-----|-----------|-----------|--------|--------|-----|
| 1 | 397 | 1 | 1 | MD030M6.2 | S235,AR52 | 3664 | 136.78 | |
| 2 | 3041 | 1 | 1 | MD030M9.1 | S235,AR52 | 4534 | 188.59 | |
| 3 | 3043 | 1 | 1 | MD030M9.5 | S235,AR52 | 1888 | 38.43 | |
| 4 | 3046 | 1 | 1 | MD030M9.5 | S235,AR52 | 1838 | 37.43 | |
| 5 | 3053 | 2 | 2 | MD030M4 | S235,AR52 | 1885 | 45.05 | |
| 6 | 3071 | 1 | 1 | RL04M5 | S235,AR52 | 200 | 7.56 | |
| 7 | 3081 | 1 | 1 | RL05M10 | S235,AR52 | 382 | 29.97 | |
| 8 | 3100 | 1 | 1 | RL04M5 | S235,AR52 | 214 | 6.00 | |
| 9 | 3107 | 1 | 1 | RL04M10 | S235,AR52 | 255 | 18.97 | |
| 10 | 3124 | 2 | 2 | RL04M10 | S235,AR52 | 307 | 17.35 | |
| 11 | 3139 | 2 | 2 | RL04M10 | S235,AR52 | 67 | 1.64 | |
| 12 | 3140 | 1 | 1 | RL04M10 | S235,AR52 | 443 | 8.34 | |
| 13 | 3145 | 1 | 1 | RL04M10 | S235,AR52 | 205 | 3.86 | |
| 14 | 3152 | 1 | 1 | RL04M10 | S235,AR52 | 80 | 3.8 | |
| 15 | 3156 | 1 | 1 | FL10M12 | S235,AR52 | 323 | 4.26 | |
| 16 | 3160 | 2 | 2 | RL04M10 | S235,AR52 | 323 | 6.34 | |
| 17 | 3164 | 2 | 2 | RL04M10 | S235,AR52 | 67 | 6.7 | |
| 18 | 3200 | 6 | 6 | RL04M10 | S235,AR52 | 200 | 6.03 | |
| Total weight (kg) | | | | | | | 547.76 | |
| Shipping dimensions 01 x B x L x 1500 x 410 x 500 | | | | | | | | |

Fyrir hönd Conis ehf. kt. 600105-1400
staðfestist að teikning þessi hefur verið
ylfrfarin. Teikningin er í samræmi við
Íslenska staðla og reglugerðir. 28/1/07

Almas B 130657-44139
Mátt Kennitala

Tolerance for welded constructions
According to DIN 1527, Pt.1:2004:10.97

Welding (V P S) according to
DIN-EN 288 - 2

Required torques prestressing forces and forced
tension angles according to DIN 10500 Pt. 7, 05.83

All unmarked welds to be Fillet
continuous 3-4mm thick,
not greater than 0.7 d
of the thinner element

The material for cap plates 20 mm thick
to be examined for lamnations

BIURO INZYNIERSKIE
Marek i Janina MUCHA
Dszyn, ul. Opolska 30A, 46-070 Komprachcice tel.077-46 46 757

Pos.396-397
T.JARNARVELLIR 11
Steel- Storage house
DRG 226