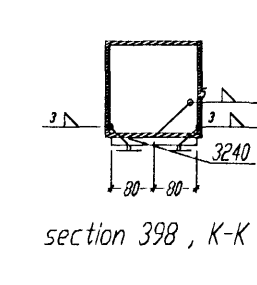
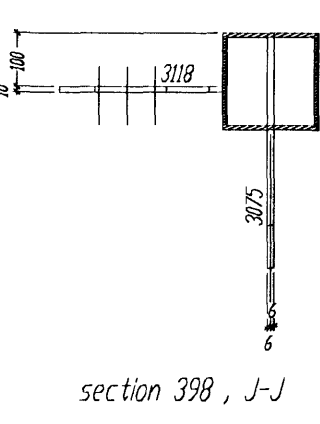
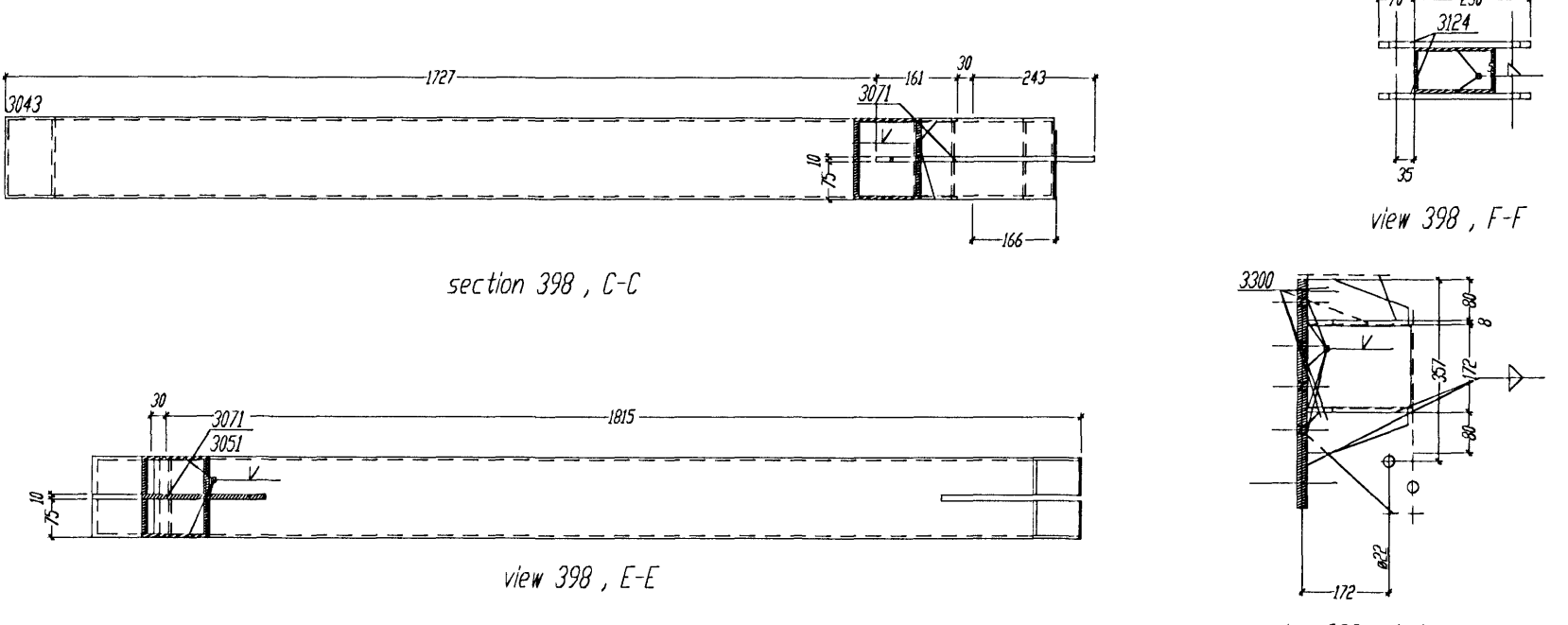
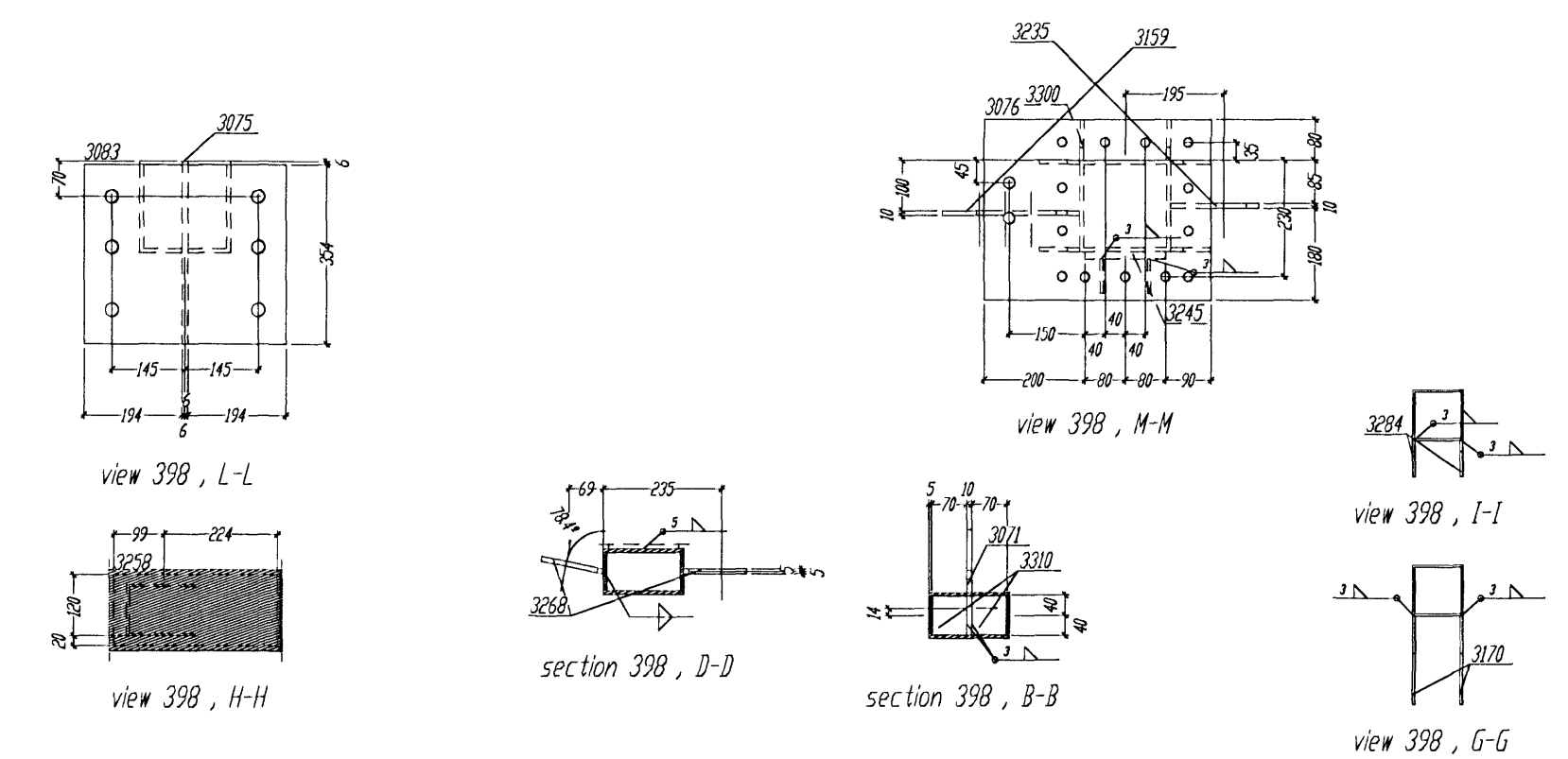
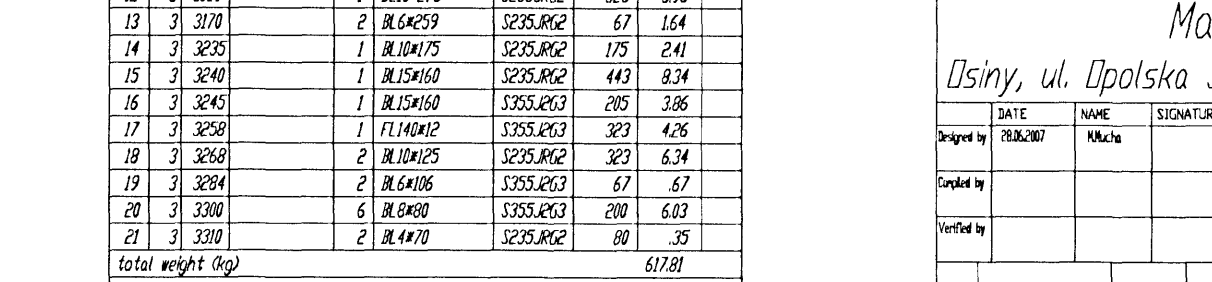
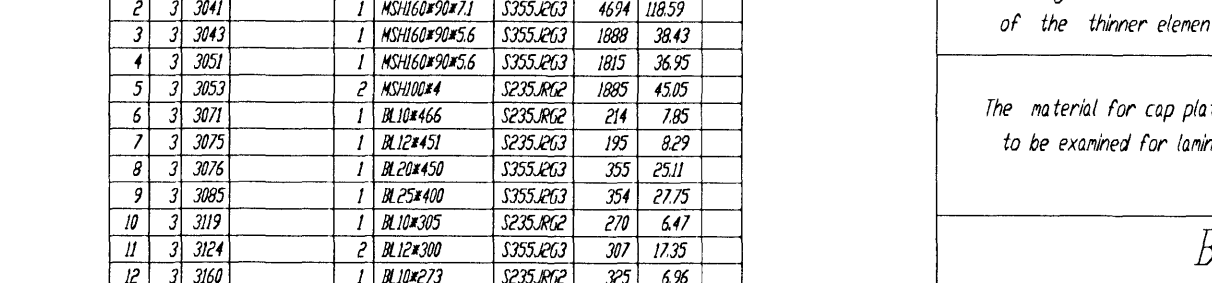
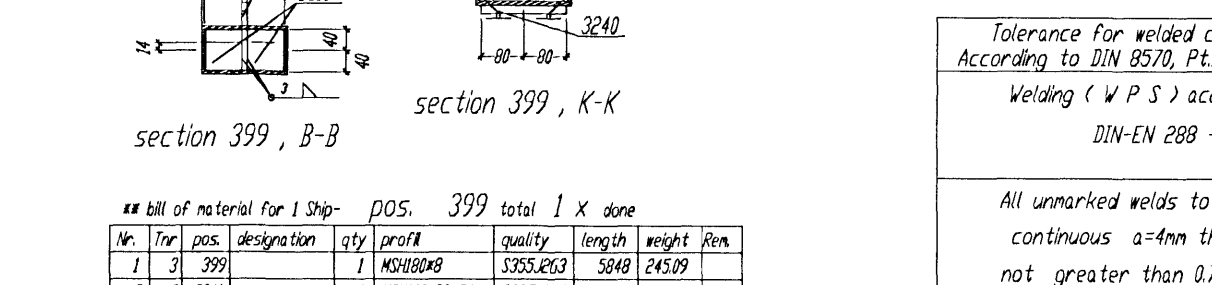
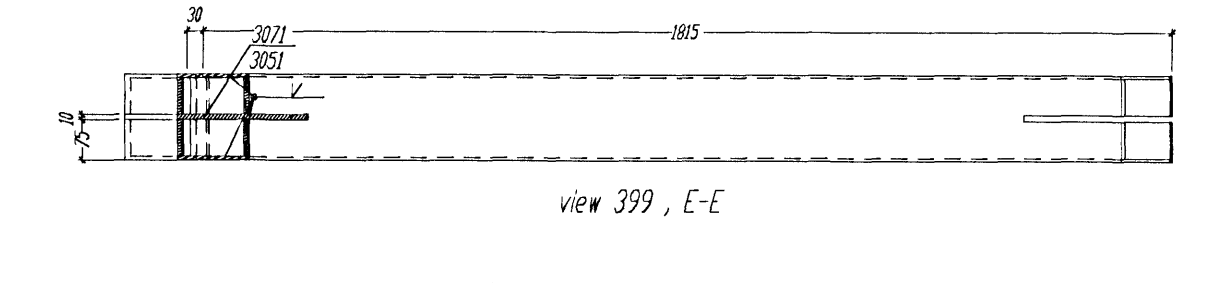
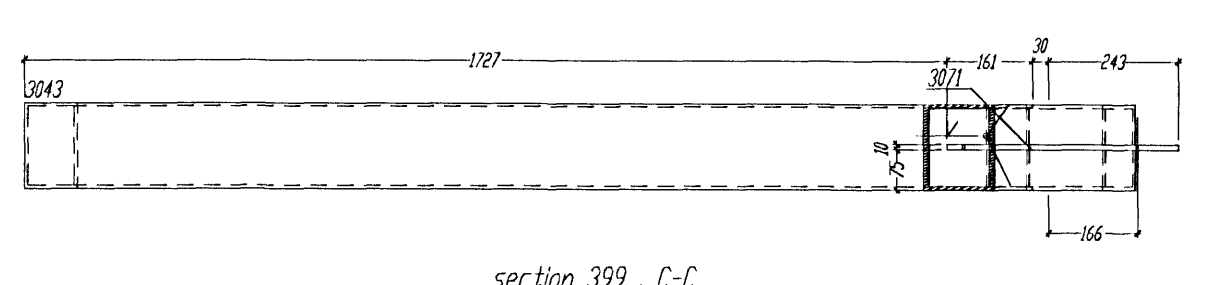
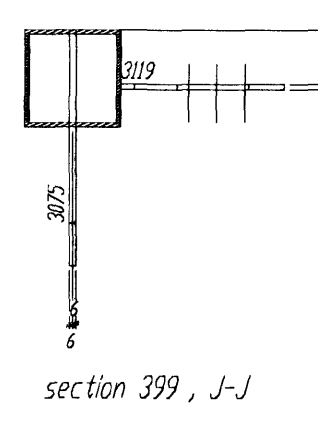
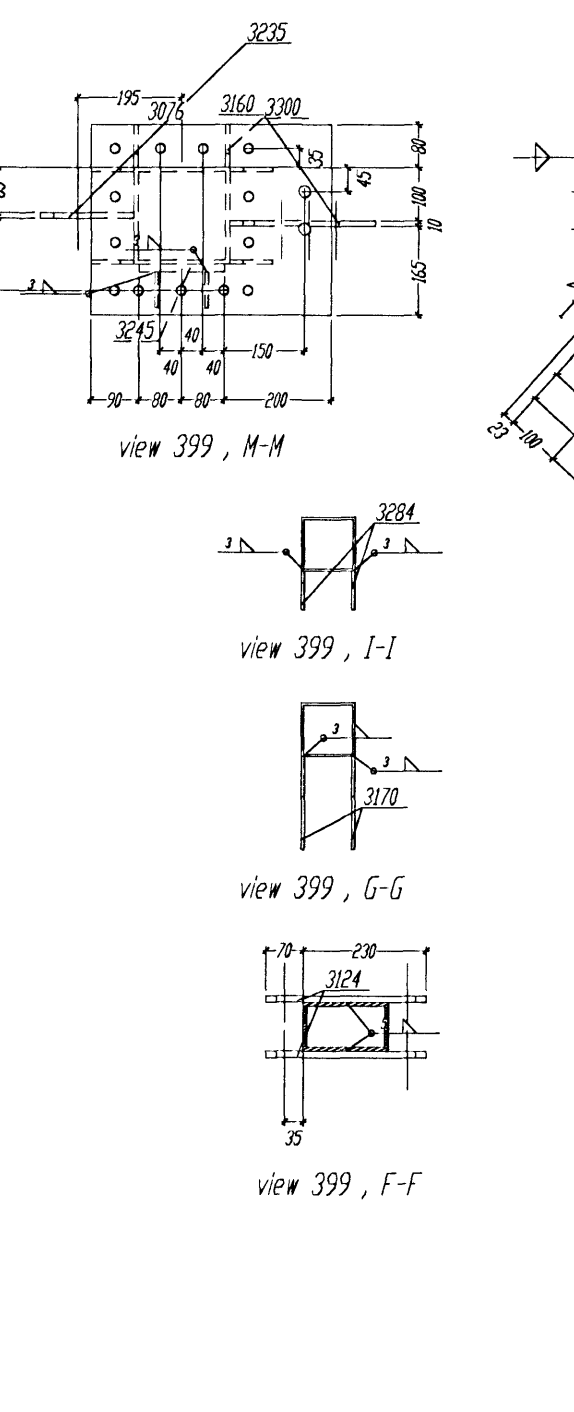
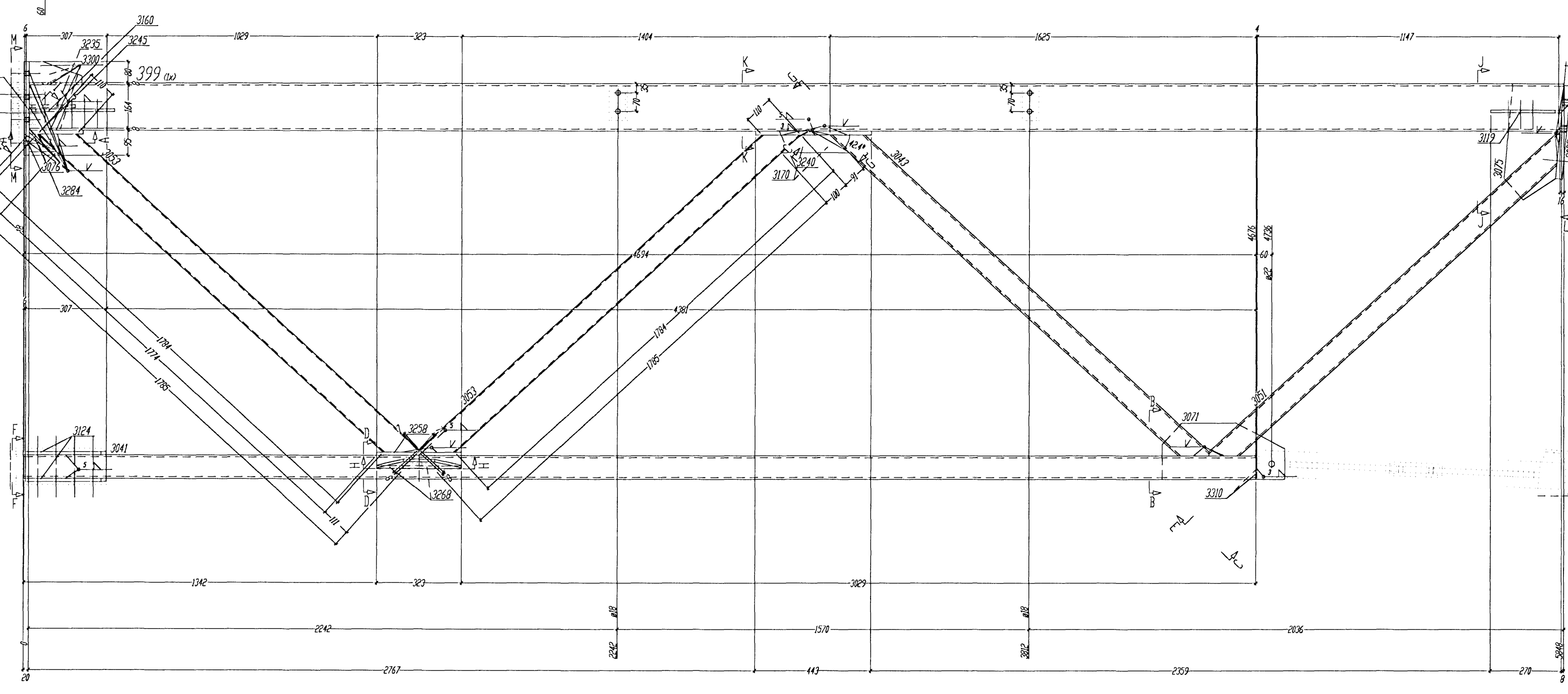
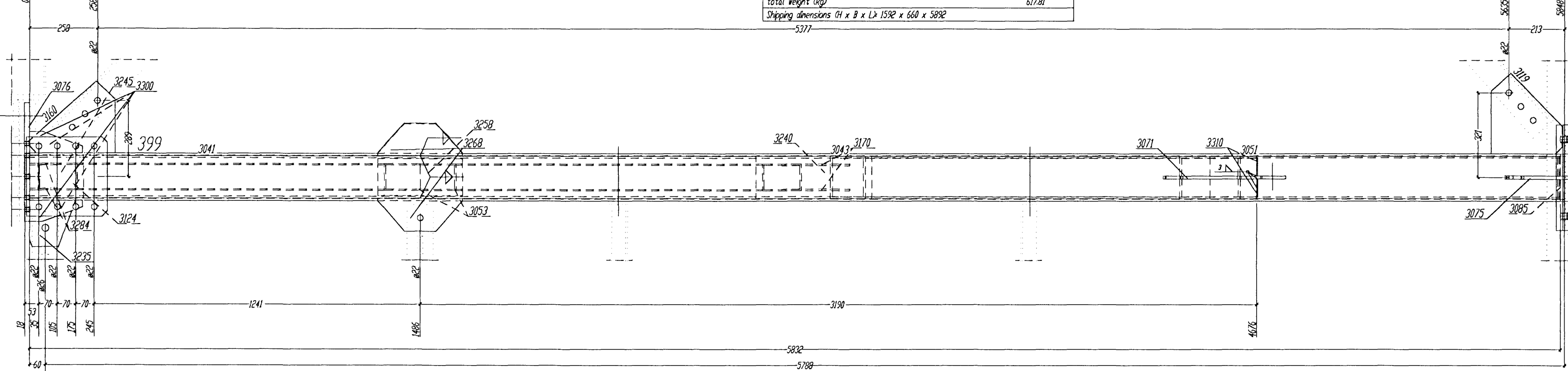
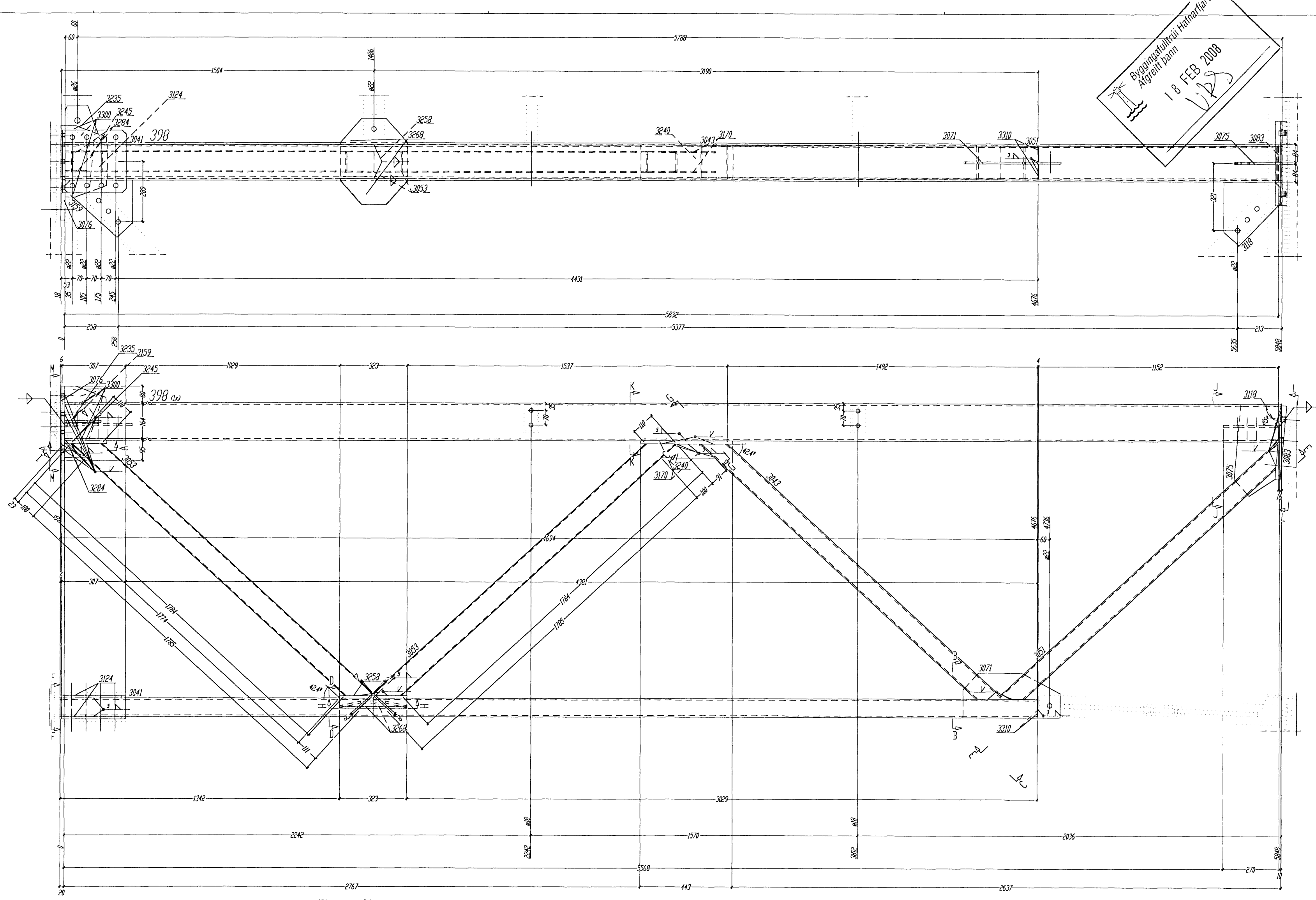


Reykjavík, Víðis Háskólinn
18 FEB 2008



Bill of material for 1 Shop - POS. 398 total 1 X done

№	For	pos.	designation	qty	par/ft	quality	length	weight	Ømm
1	3	308	1	M080808	1	S235,AR	5040	243,99	
2	3	304	1	M080808/71	1	S235,AR	4634	128,59	
3	3	304	1	M080808/56	1	S235,AR	1888	38,43	
4	3	303	1	M080808/56	1	S235,AR	1885	38,35	
5	3	303	2	M080804	2	S235,AR	1885	43,05	
6	3	307	1	R.104466	1	S235,AR	294	7,85	
7	3	307	1	R.104450	1	S235,AR	195	8,29	
8	3	307	1	R.104460	1	S235,AR	203	5,91	
9	3	308	1	R.104400	1	S235,AR	294	27,25	
10	3	318	1	R.104405	1	S235,AR	294	6,47	
11	3	314	2	R.104300	2	S235,AR	307	17,25	
12	3	319	1	R.104270	1	S235,AR	303	6,36	
13	3	319	2	R.104259	2	S235,AR	67	1,64	
14	3	325	1	R.104175	1	S235,AR	175	2,41	
15	3	324	1	R.104160	1	S235,AR	443	8,34	
16	3	324	1	R.104160	1	S235,AR	205	3,86	
17	3	326	1	R.104162	1	S235,AR	303	4,26	
18	3	326	2	R.104125	2	S235,AR	303	6,34	
19	3	324	2	R.104106	2	S235,AR	67	6,7	
20	3	330	6	R.0400	6	S235,AR	200	6,82	
21	3	330	2	R.0470	2	S235,AR	80	25	
total weight 592									
Shipping dimensions Ø1 x B x Lx 1582 x 660 x 5082									
-5177-									



Bill of material for 1 Shop - POS. 399 total 1 X done

№	For	pos.	designation	qty	par/ft	quality	length	weight	Ømm
1	3	330	1	M080808	1	S235,AR	5040	243,99	
2	3	304	1	M080808/71	1	S235,AR	4634	128,59	
3	3	304	1	M080808/56	1	S235,AR	1888	38,43	
4	3	303	1	M080808/56	1	S235,AR	1885	38,35	
5	3	303	2	M080804	2	S235,AR	1885	43,05	
6	3	307	1	R.104466	1	S235,AR	294	7,85	
7	3	307	1	R.104450	1	S235,AR	195	8,29	
8	3	307	1	R.104460	1	S235,AR	203	5,91	
9	3	308	1	R.104400	1	S235,AR	294	27,25	
10	3	319	1	R.104405	1	S235,AR	294	6,47	
11	3	314	2	R.104300	2	S235,AR	307	17,25	
12	3	319	1	R.104270	1	S235,AR	303	6,36	
13	3	319	2	R.104259	2	S235,AR	67	1,64	
14	3	325	1	R.104175	1	S235,AR	175	2,41	
15	3	324	1	R.104160	1	S235,AR	443	8,34	
16	3	324	1	R.104160	1	S235,AR	205	3,86	
17	3	326	1	R.104162	1	S235,AR	303	4,26	
18	3	326	2	R.104125	2	S235,AR	303	6,34	
19	3	324	2	R.104106	2	S235,AR	67	6,7	
20	3	330	6	R.0400	6	S235,AR	200	6,82	
21	3	330	2	R.0470	2	S235,AR	80	25	
total weight 592									
Shipping dimensions Ø1 x B x Lx 1582 x 660 x 5082									

Fyrir hönd Conis ehf, kt. 600105-1400 staðfestist að teikning þessi hefur verið yfirfarin. Teikningin er í samræmi við íslenska staðla og reglugerðir. 28/9/07
 Mafn 130657-44139 Kennitala

Tolerance for welded constructions according to DIN 9570, Pt.1-3/B4T.1087
 Welding (W P S) according to DIN-EN 288 - 2

All unmarked welds to be fillet continuous a=4mm thick, not greater than 0,7 d of the thinner element

The material for cap plates 120 mm thick to be examined for laminations

Required torques/prestressing forces and forced tension angles according to DIN 18800 Pt. 7, 05.83

Weld	Welding	Welding	Welding	Welding	Welding	Welding	Welding	Welding	Welding
1	1	1	1	1	1	1	1	1	1
2	1	1	1	1	1	1	1	1	1
3	1	1	1	1	1	1	1	1	1
4	1	1	1	1	1	1	1	1	1
5	1	1	1	1	1	1	1	1	1
6	1	1	1	1	1	1	1	1	1
7	1	1	1	1	1	1	1	1	1
8	1	1	1	1	1	1	1	1	1
9	1	1	1	1	1	1	1	1	1
10	1	1	1	1	1	1	1	1	1
11	1	1	1	1	1	1	1	1	1
12	1	1	1	1	1	1	1	1	1
13	1	1	1	1	1	1	1	1	1
14	1	1	1	1	1	1	1	1	1
15	1	1	1	1	1	1	1	1	1
16	1	1	1	1	1	1	1	1	1
17	1	1	1	1	1	1	1	1	1
18	1	1	1	1	1	1	1	1	1
19	1	1	1	1	1	1	1	1	1
20	1	1	1	1	1	1	1	1	1
21	1	1	1	1	1	1	1	1	1

BIURO INZYNIERSKIE
 Marek i Janina MUCHA
 Usiny, ul. Opalska 30a, 46-070 Komprachcze tel.077-46 46 757

Pos.398-399
 T.JARNARVELLIR 11
 Steel- Storage house
 DRG 227