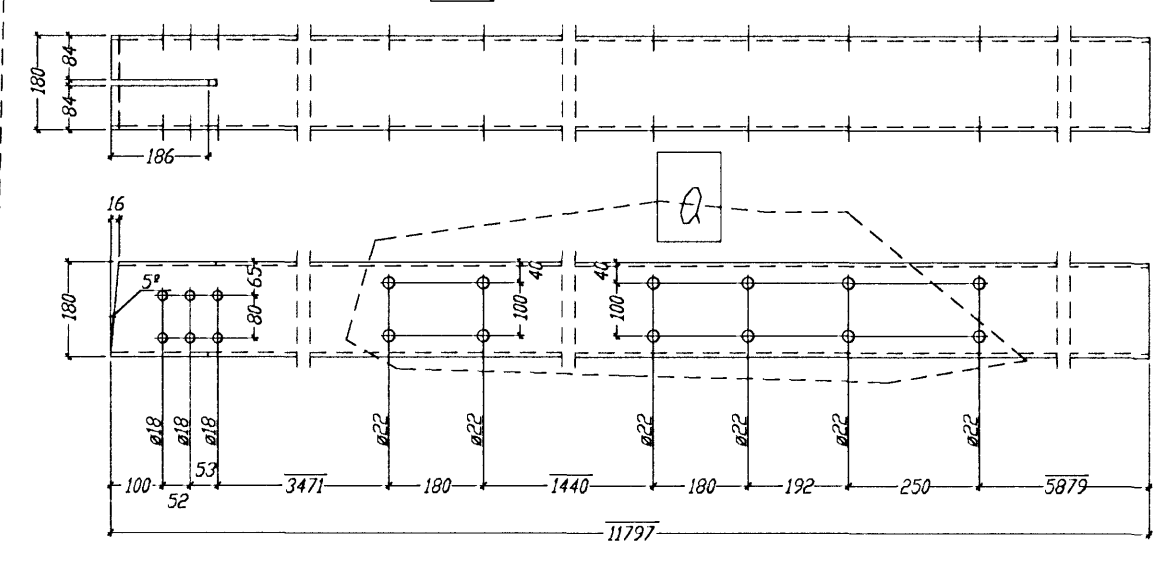
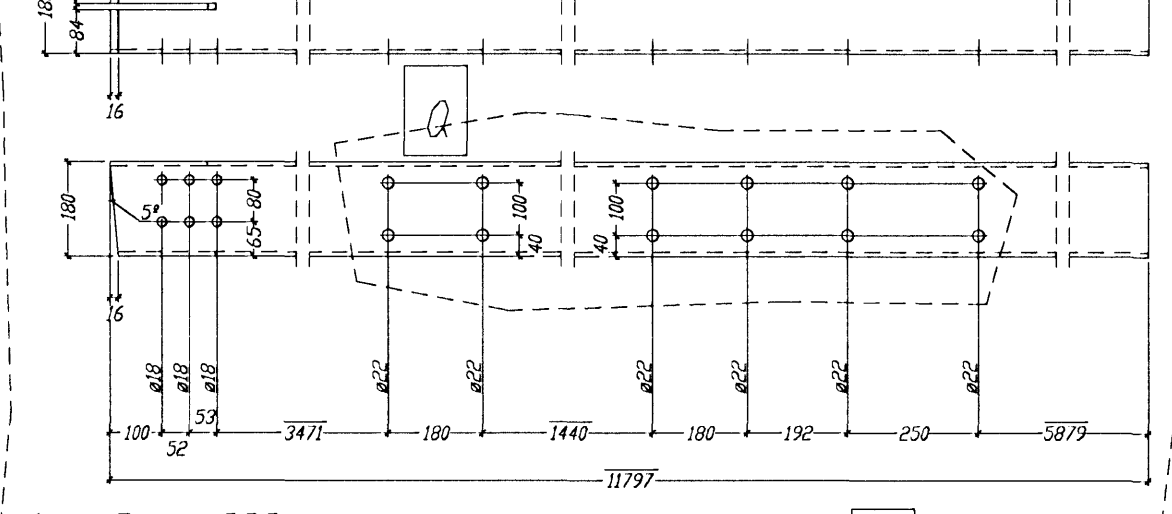


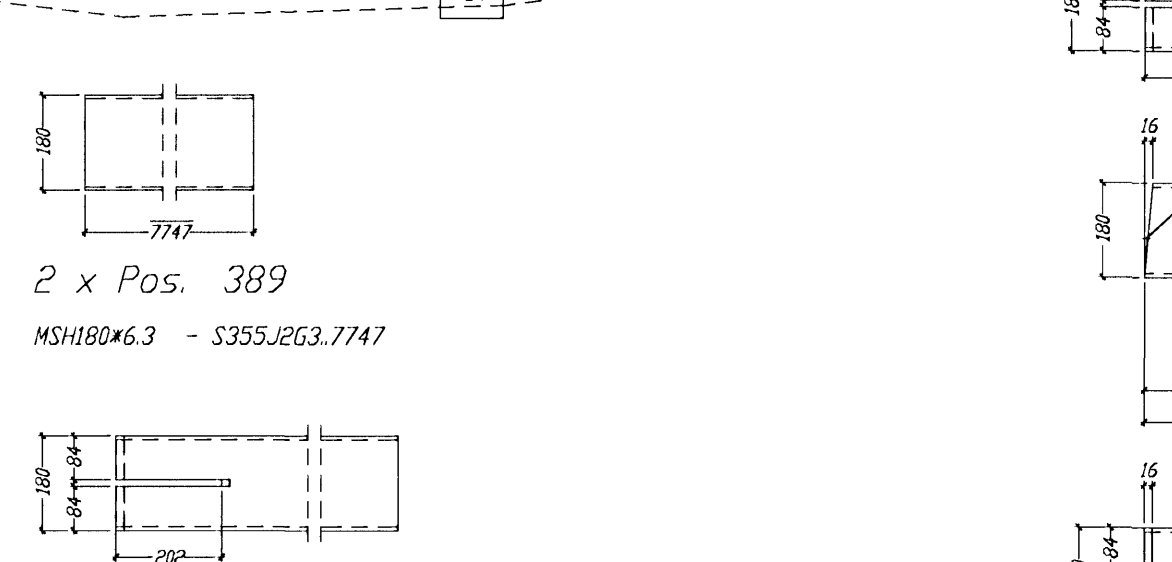
1 x Pos. 387  
MSH180\*6.3 - S355J2G3.11797



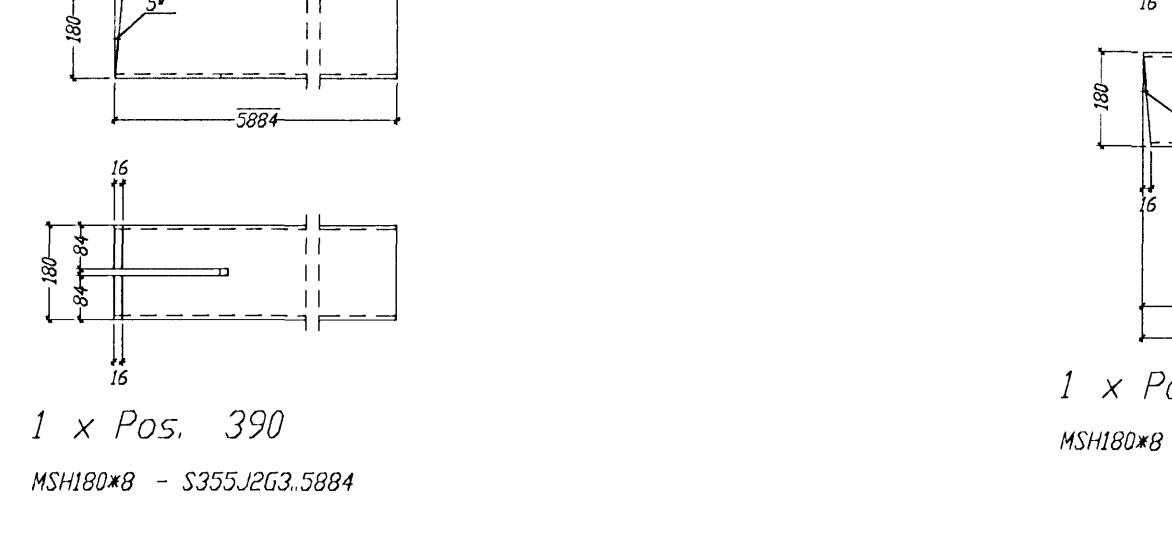
1 x Pos. 388  
MSH180\*B - S355J2G3.11797



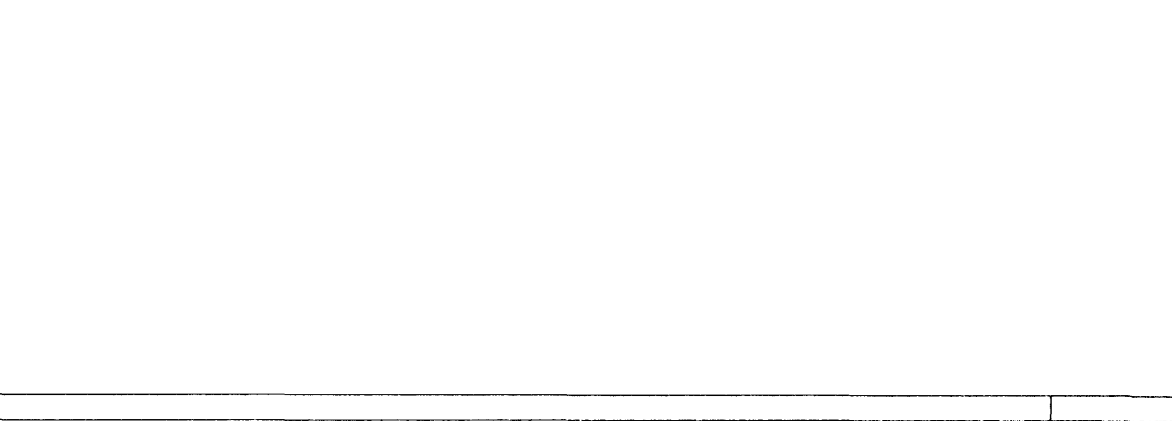
2 x Pos. 389  
MSH180\*6.3 - S355J2G3.7747



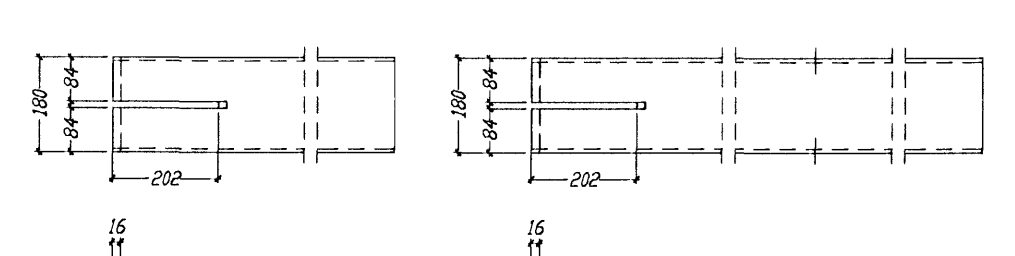
1 x Pos. 390  
MSH180\*B - S355J2G3.5884



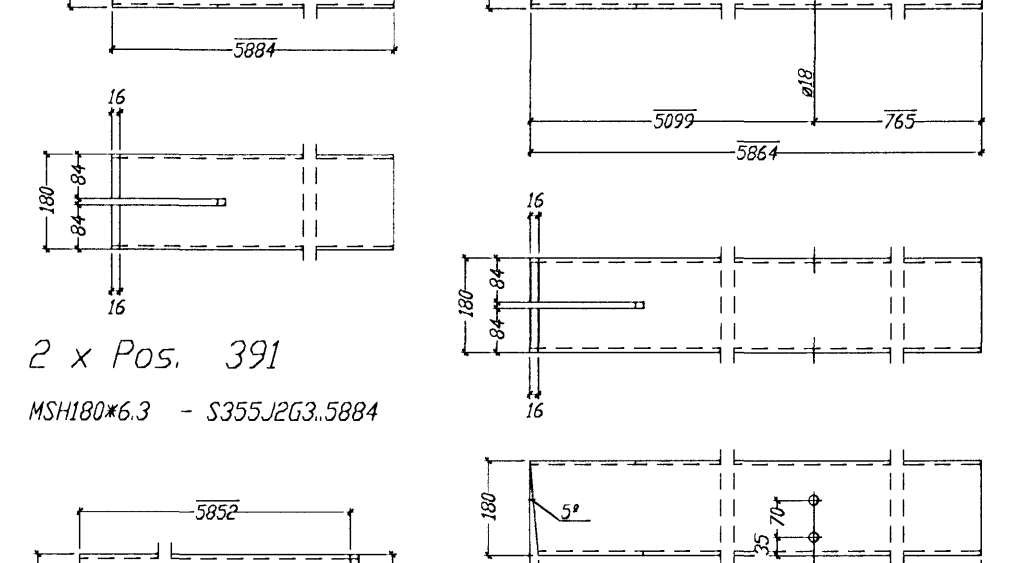
1 x Pos. 391  
MSH180\*6.3 - S355J2G3.5884



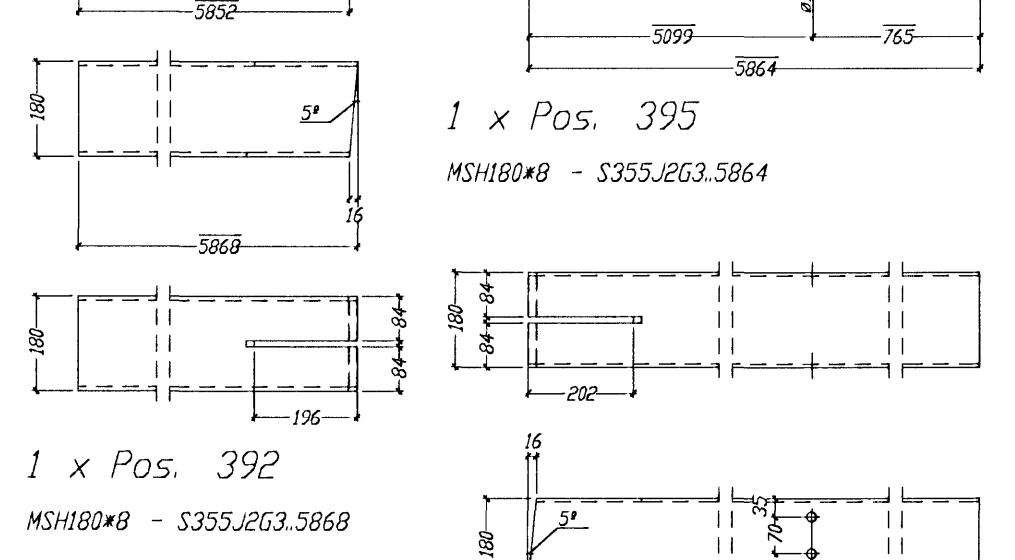
1 x Pos. 392  
MSH180\*B - S355J2G3.5884



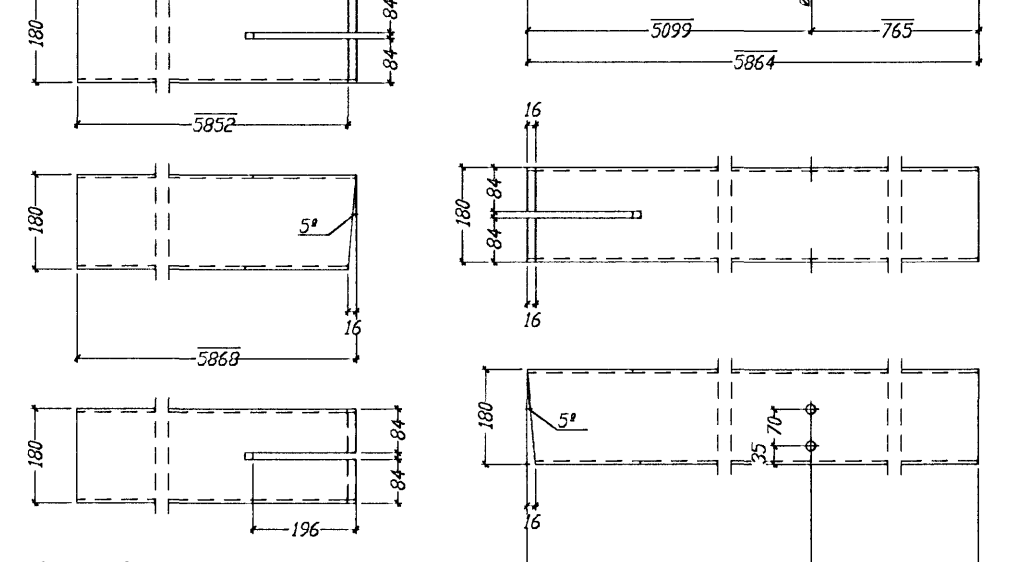
2 x Pos. 393  
MSH180\*6.3 - S355J2G3.5868



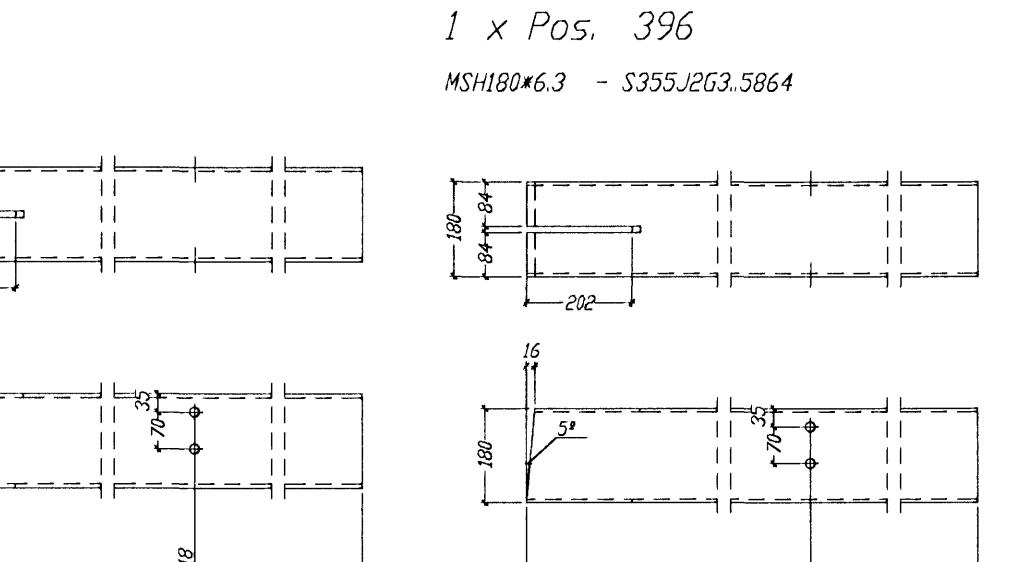
1 x Pos. 394  
MSH180\*B - S355J2G3.5864



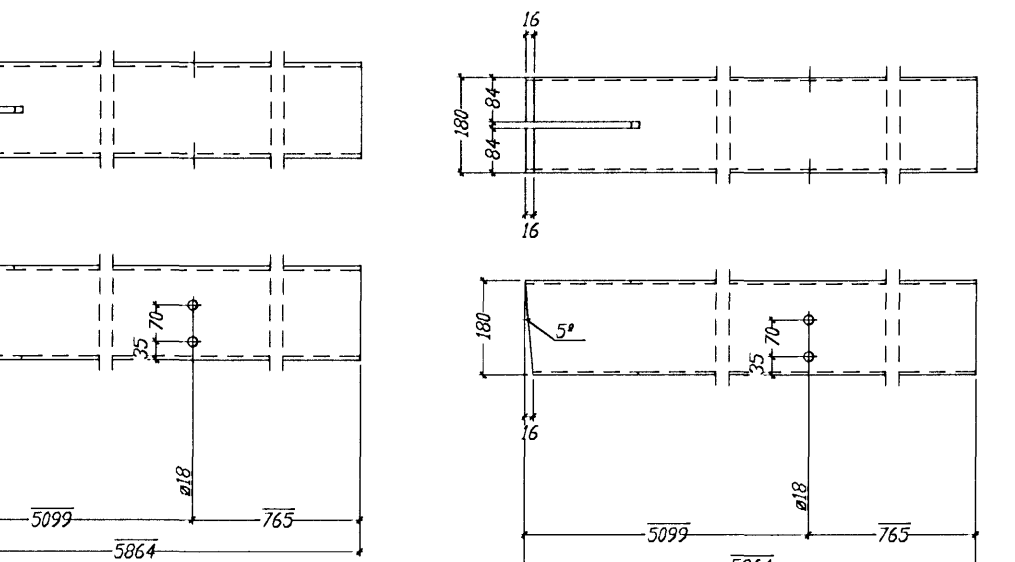
1 x Pos. 395  
MSH180\*B - S355J2G3.5864



1 x Pos. 396  
MSH180\*6.3 - S355J2G3.5864



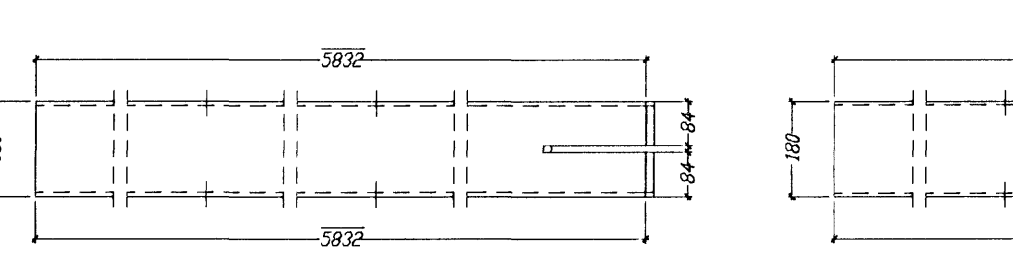
1 x Pos. 397  
MSH180\*6.3 - S355J2G3.5864



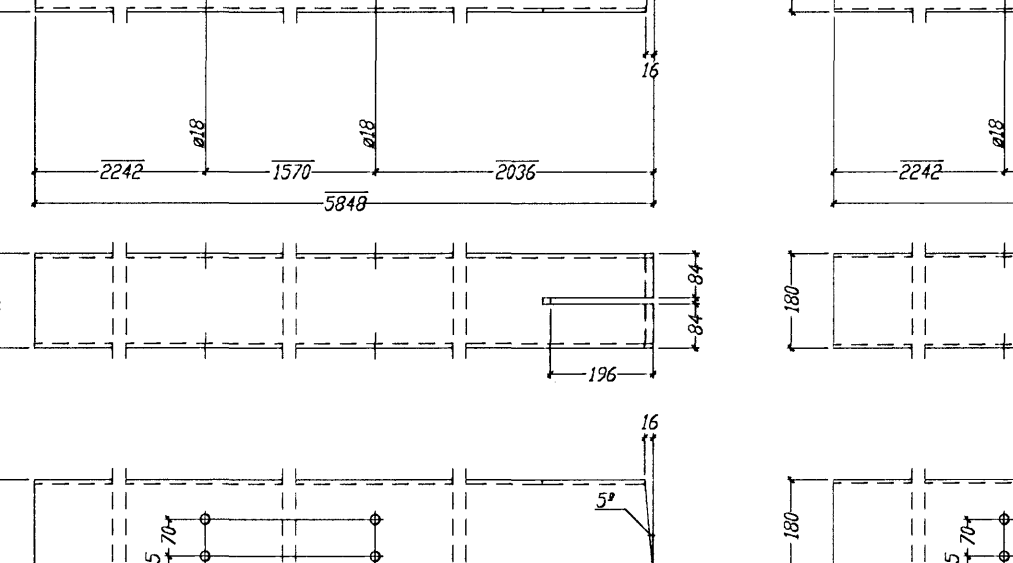
1 x Pos. 398  
MSH180\*B - S355J2G3.5848



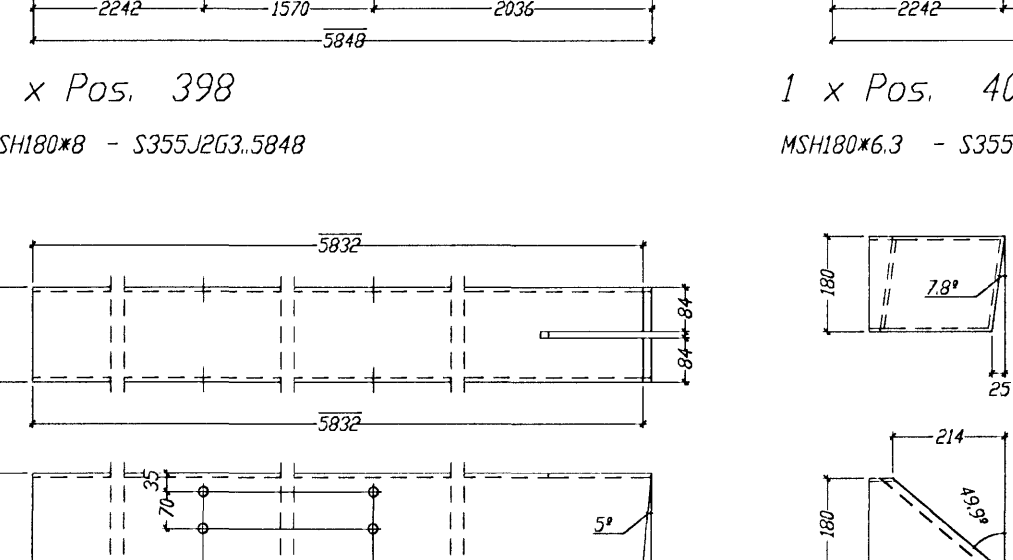
1 x Pos. 399  
MSH180\*B - S355J2G3.5848



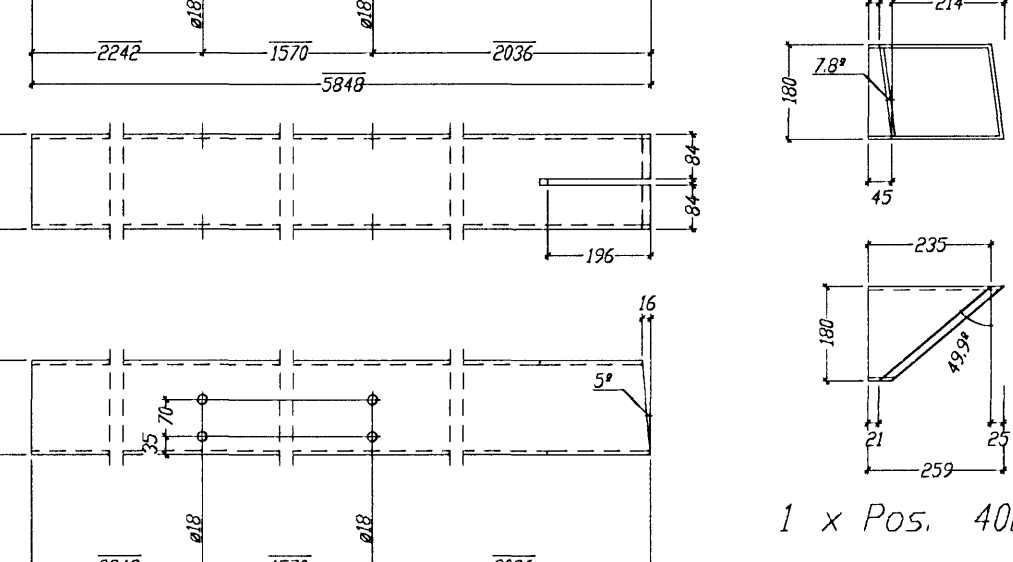
1 x Pos. 400  
MSH180\*6.3 - S355J2G3.5848



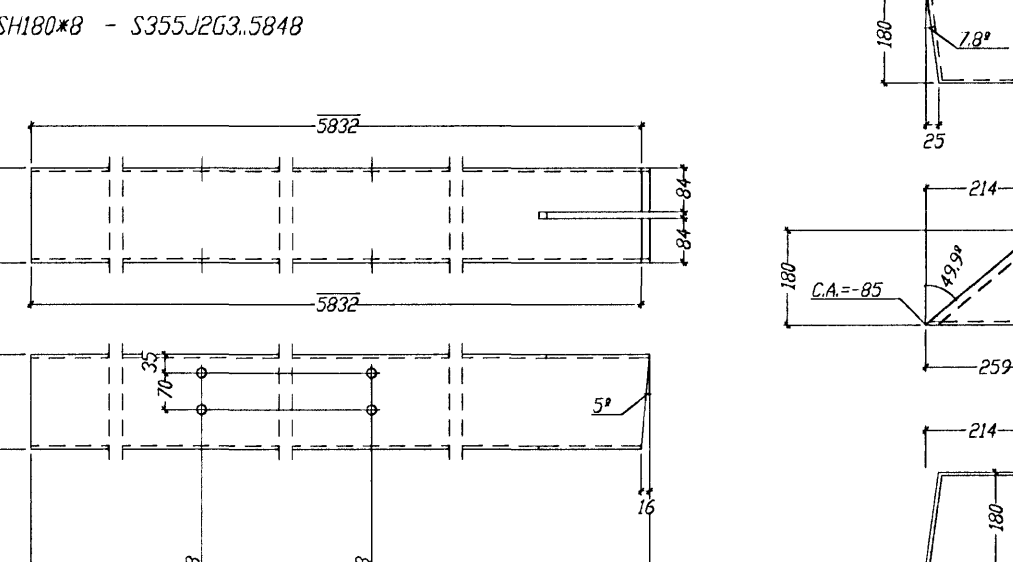
1 x Pos. 401  
MSH180\*6.3 - S355J2G3.5848



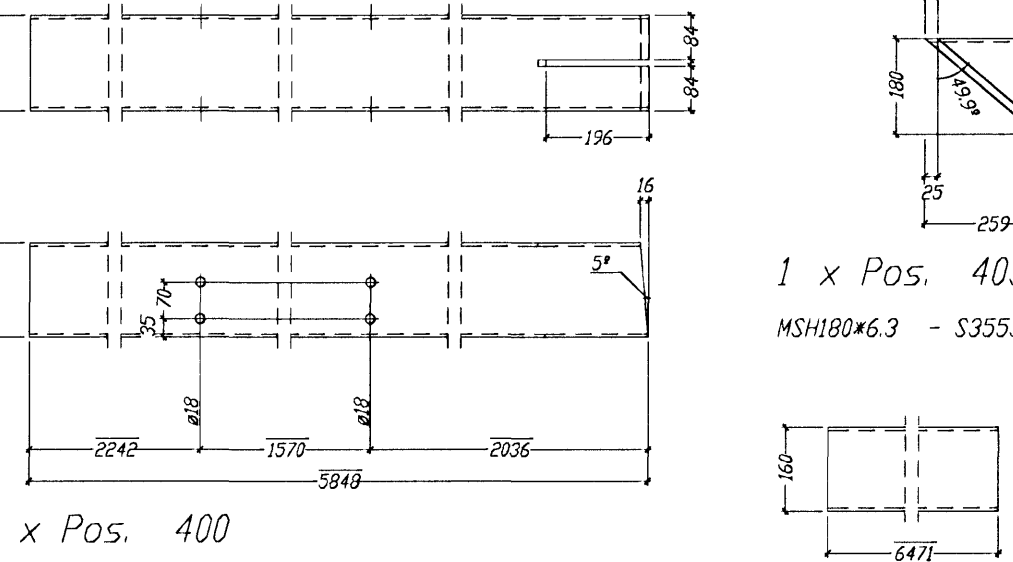
1 x Pos. 402  
MSH180\*6.3 - S355J2G3.259



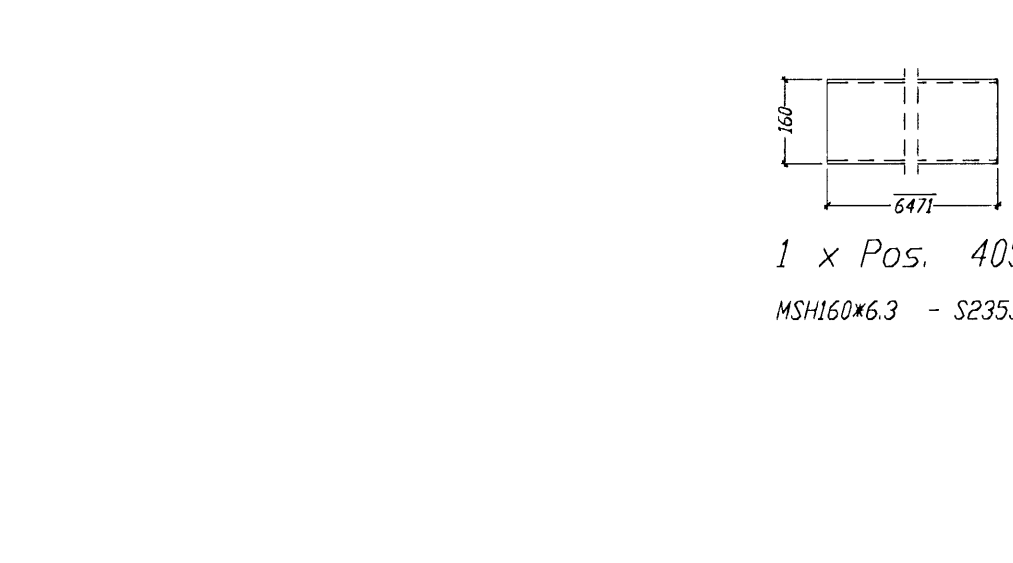
1 x Pos. 403  
MSH180\*6.3 - S355J2G3.259



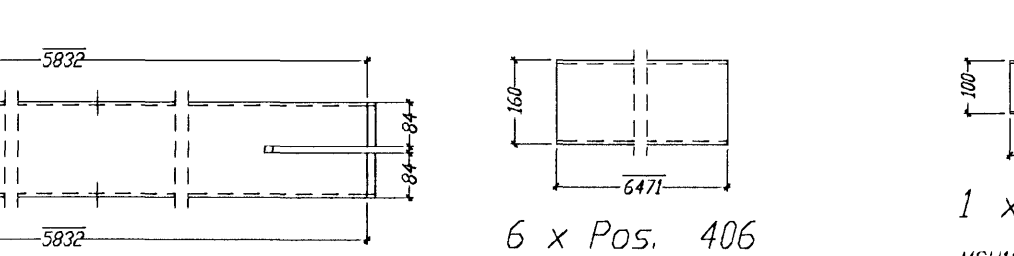
2 x Pos. 404  
MSH160\*6.3 - S235J2G3.6471



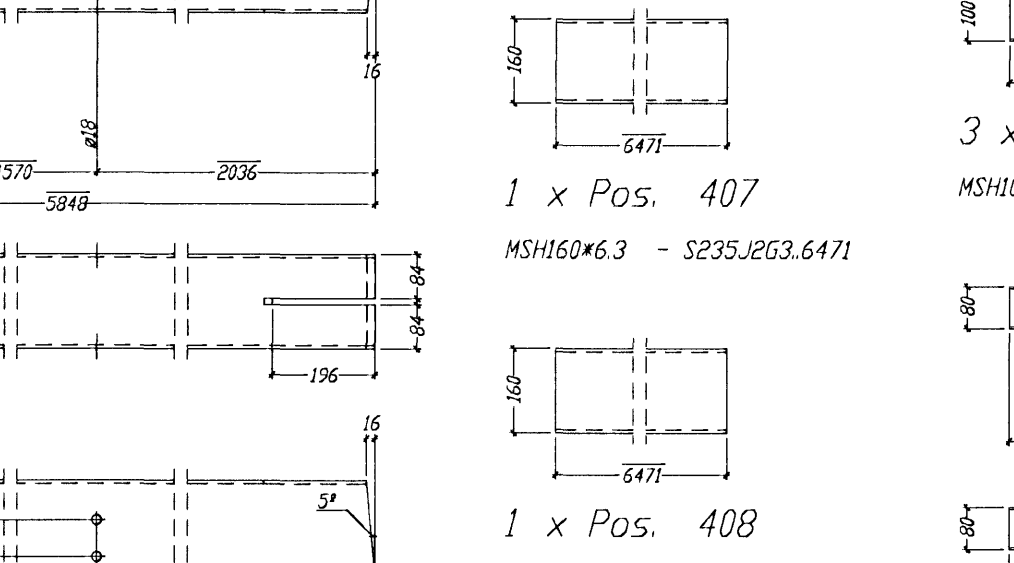
2 x Pos. 405  
MSH160\*6.3 - S235J2G3.6471



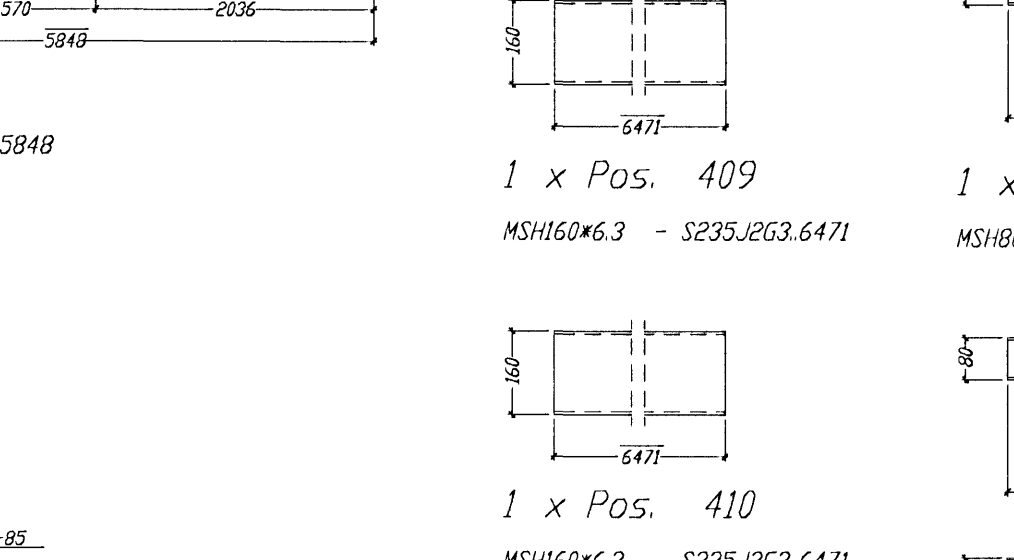
5 x Pos. 406  
MSH160\*6.3 - S235J2G3.6471



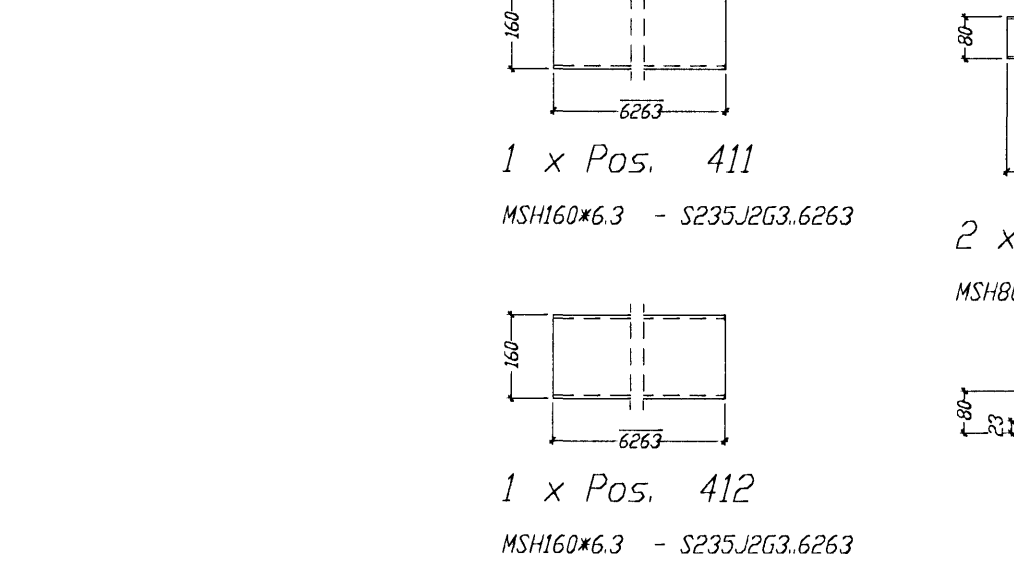
1 x Pos. 407  
MSH160\*6.3 - S235J2G3.6471



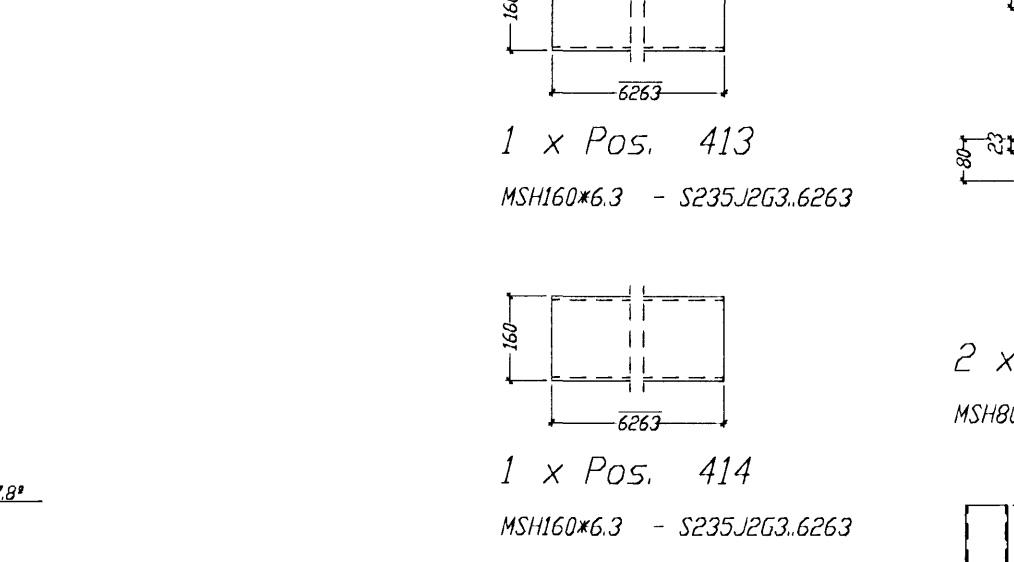
1 x Pos. 408  
MSH160\*6.3 - S235J2G3.6471



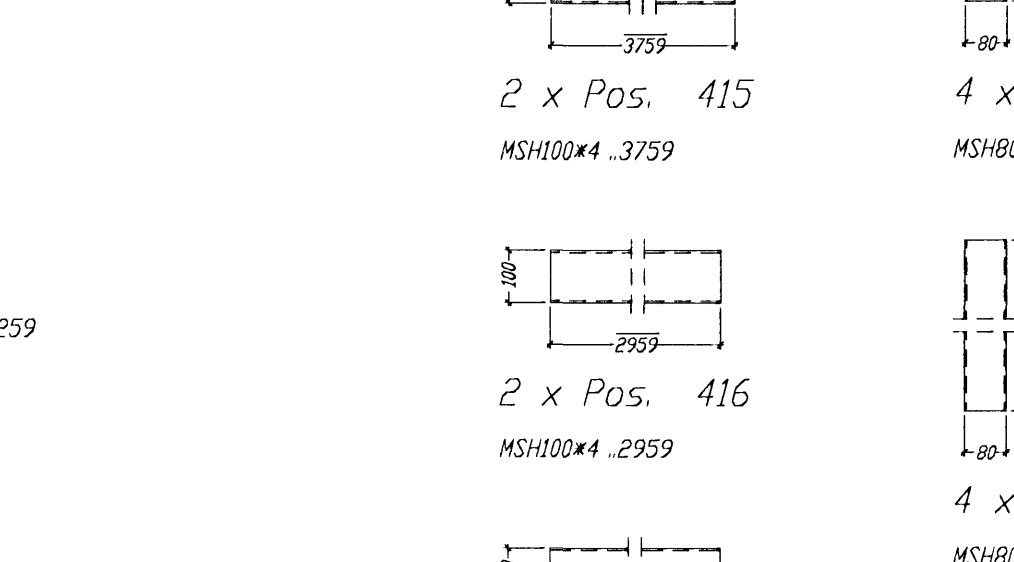
1 x Pos. 409  
MSH160\*6.3 - S235J2G3.6471



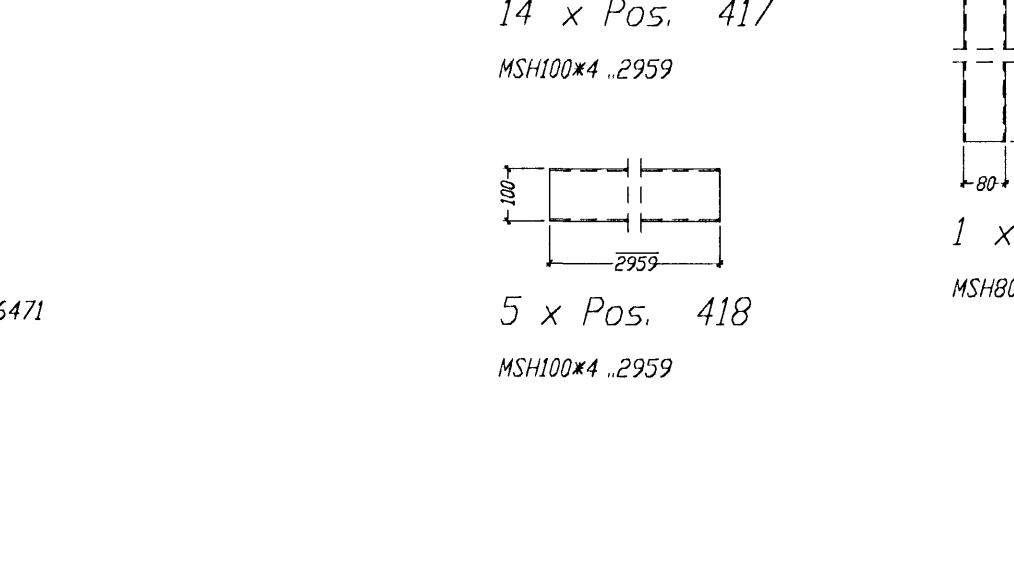
1 x Pos. 410  
MSH160\*6.3 - S235J2G3.6471



1 x Pos. 411  
MSH160\*6.3 - S235J2G3.6263



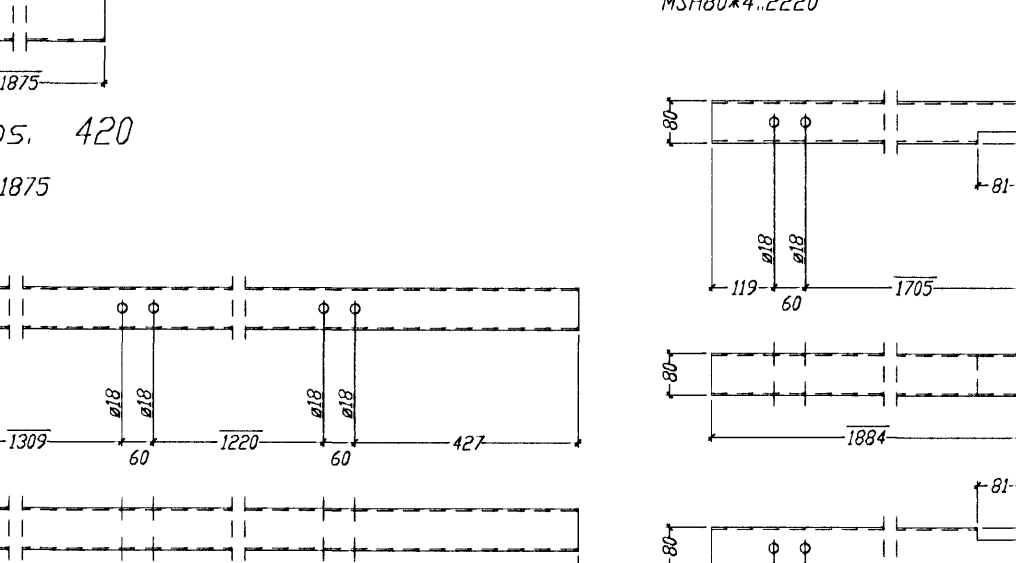
1 x Pos. 412  
MSH160\*6.3 - S235J2G3.6263



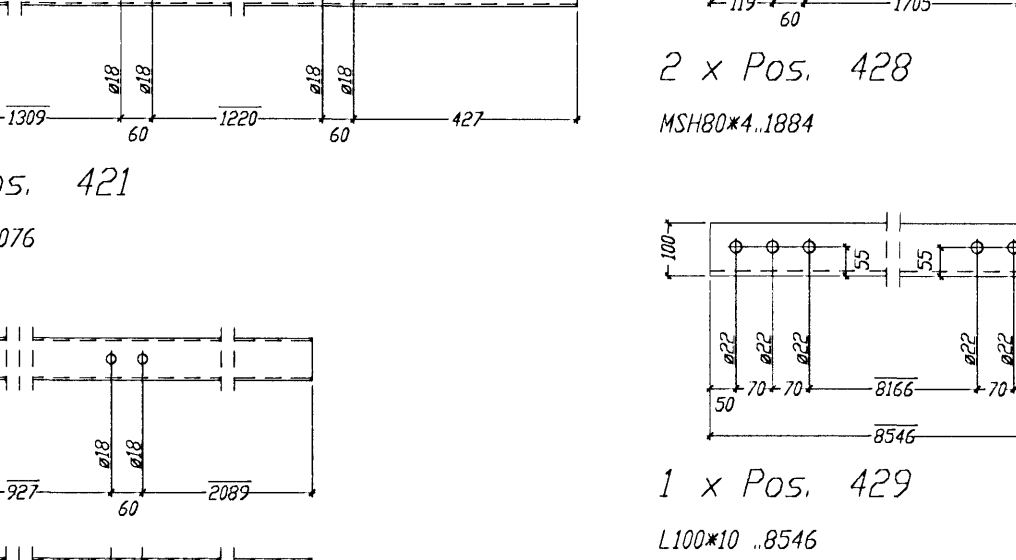
1 x Pos. 413  
MSH160\*6.3 - S235J2G3.6263



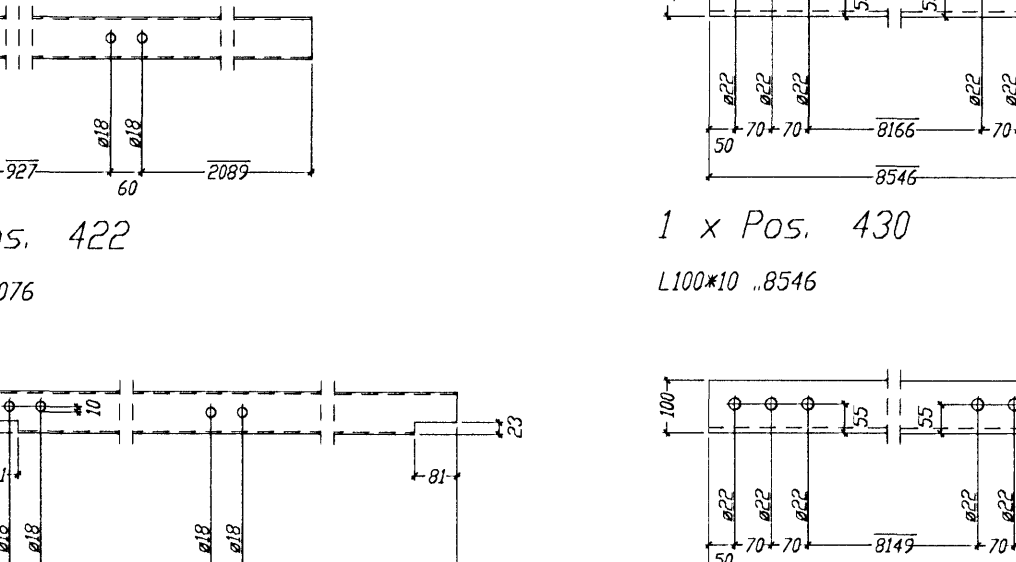
1 x Pos. 414  
MSH160\*6.3 - S235J2G3.6263



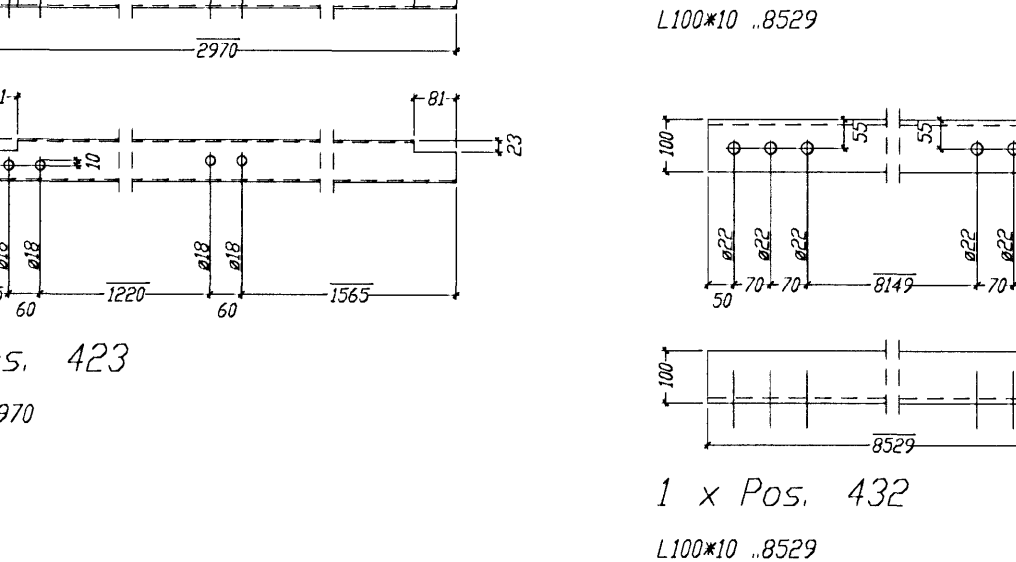
2 x Pos. 415  
MSH100\*4.2959



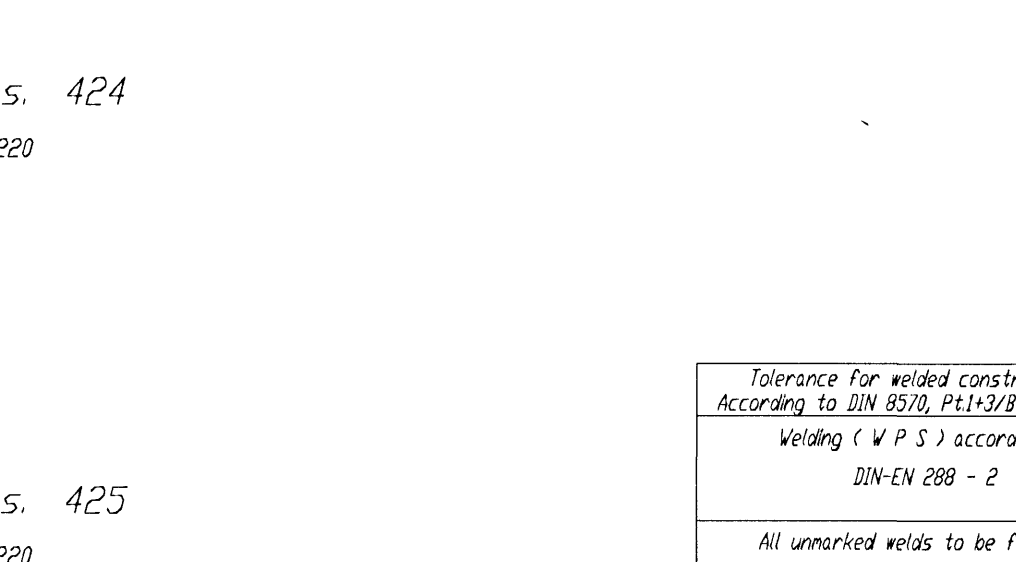
2 x Pos. 416  
MSH100\*4.2959



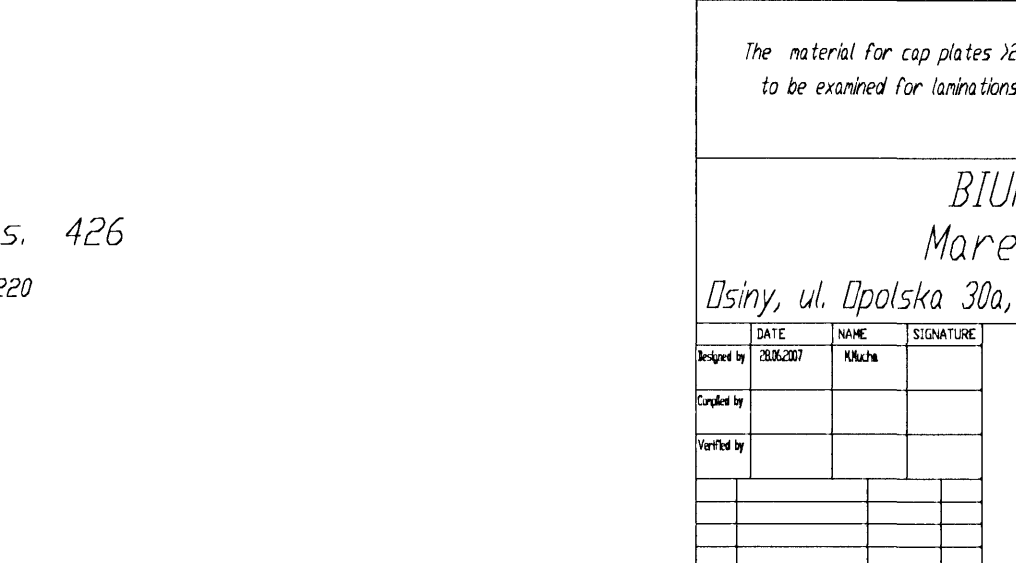
14 x Pos. 417  
MSH100\*4.2959



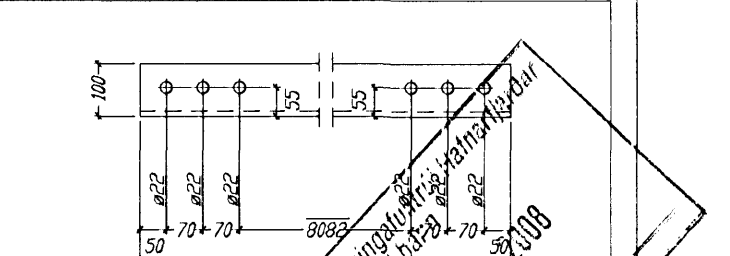
4 x Pos. 418  
MSH100\*4.2959



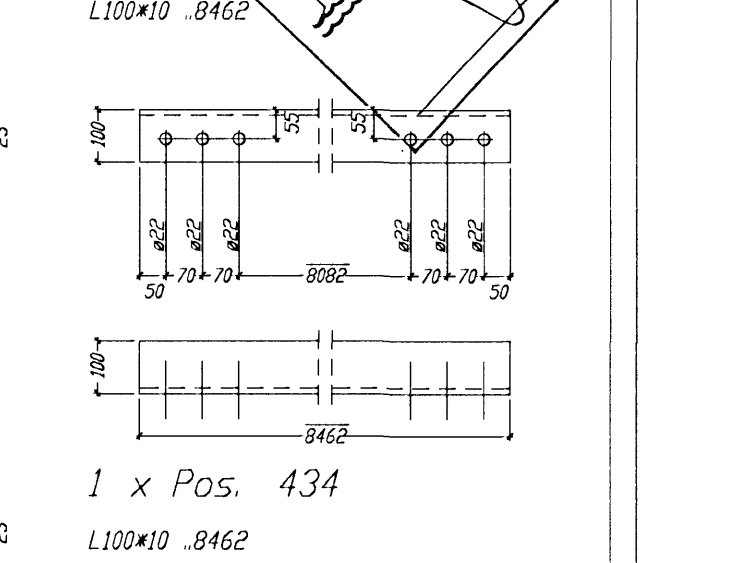
1 x Pos. 419  
MSH100\*4.2959



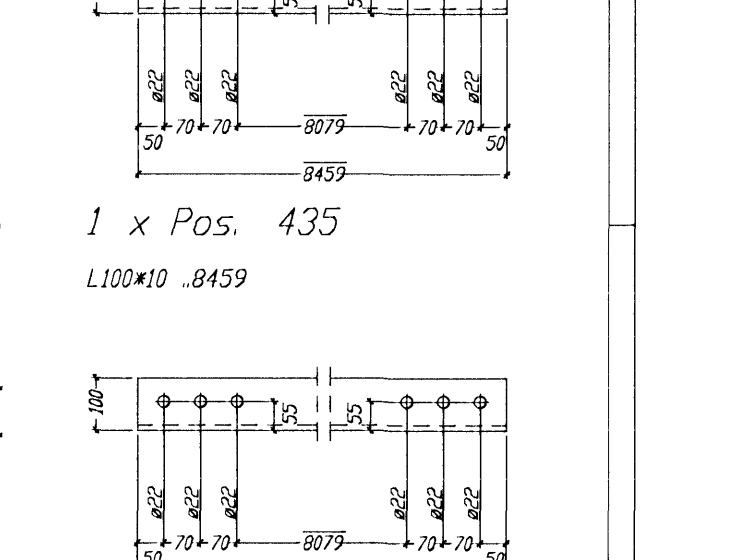
3 x Pos. 420  
MSH100\*4.1875



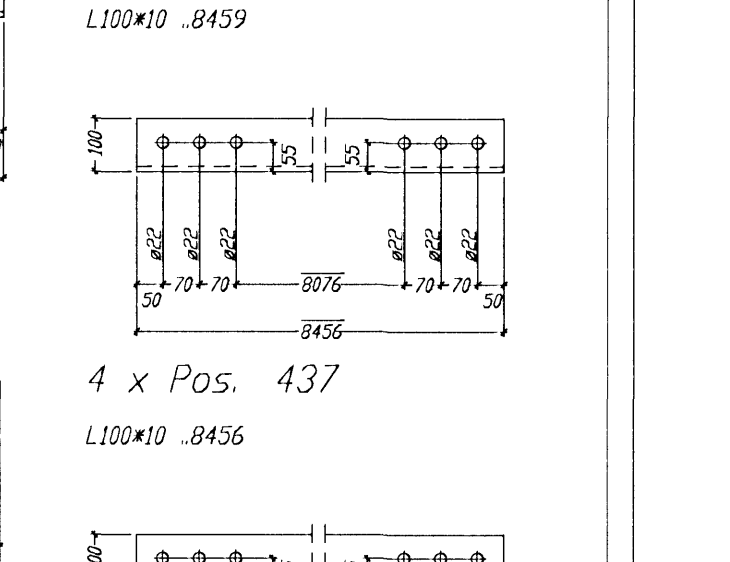
1 x Pos. 421  
MSH100\*4.3076



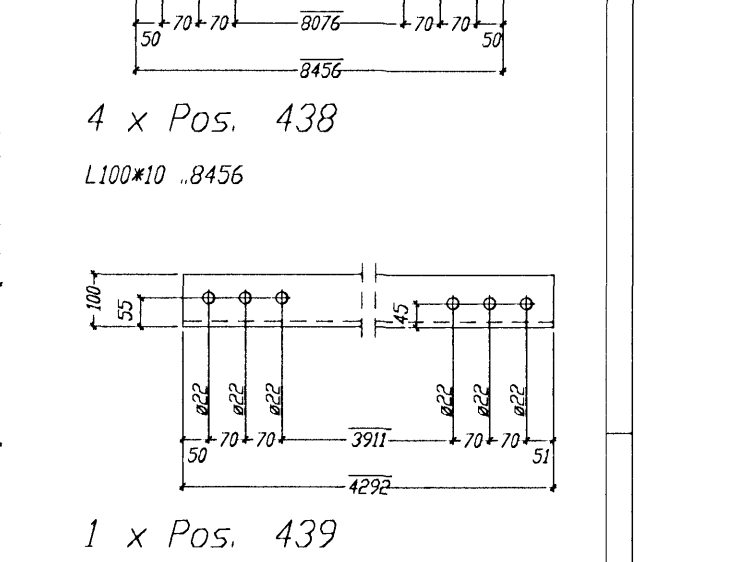
2 x Pos. 422  
MSH100\*4.3076



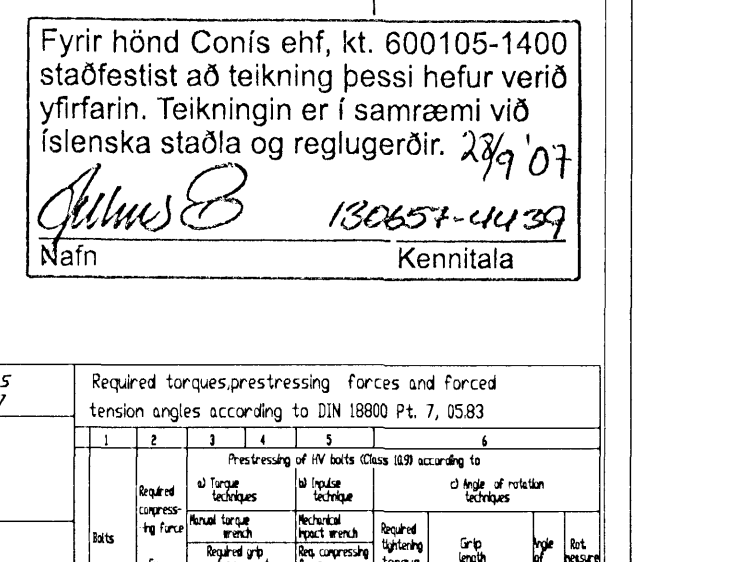
1 x Pos. 423  
MSH100\*4.3076



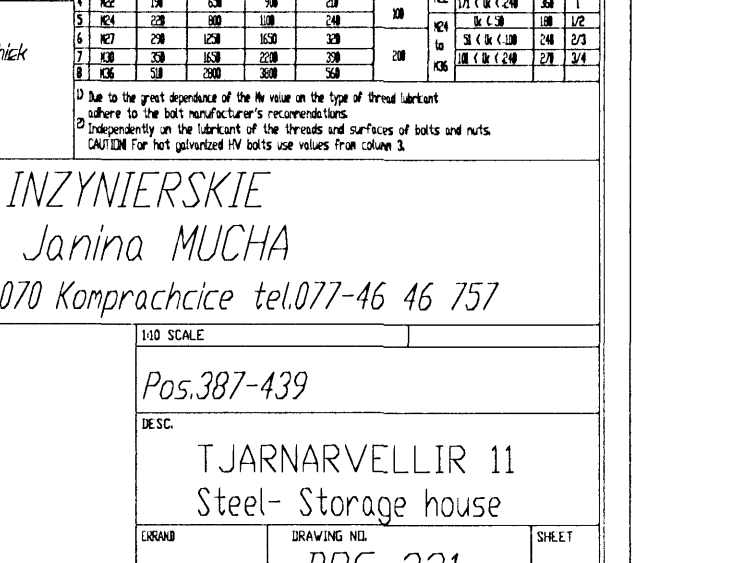
1 x Pos. 424  
MSH100\*4.2220



4 x Pos. 425  
MSH100\*4.2220

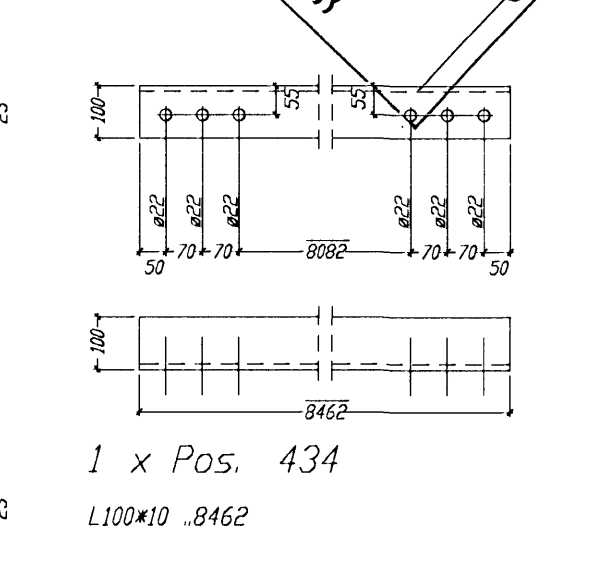


1 x Pos. 426  
MSH100\*4.2220

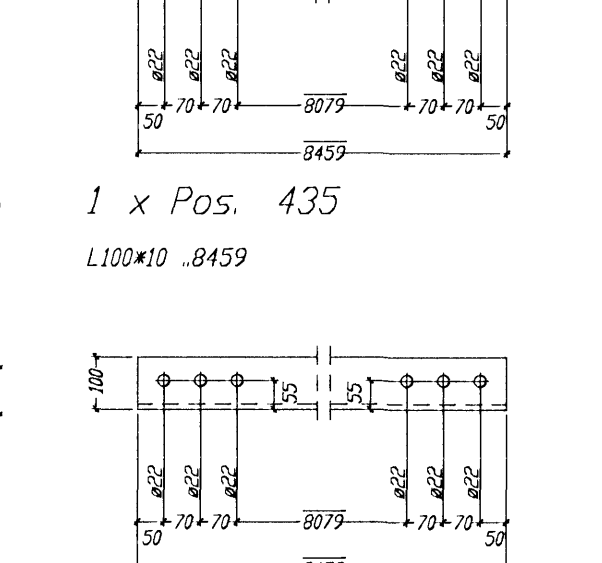


1 x Pos. 427  
MSH100\*4.2220

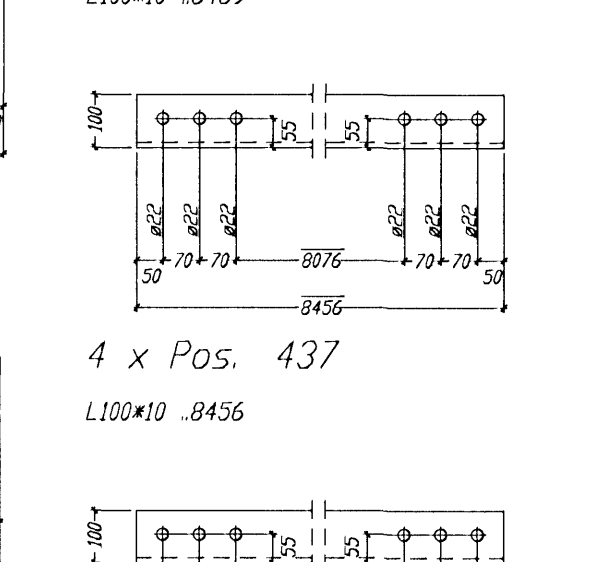
1 x Pos. 428  
MSH100\*4.1884



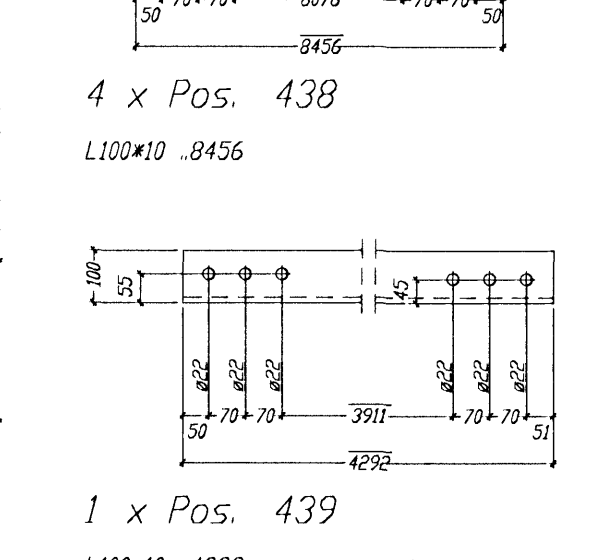
1 x Pos. 429  
MSH100\*4.1884



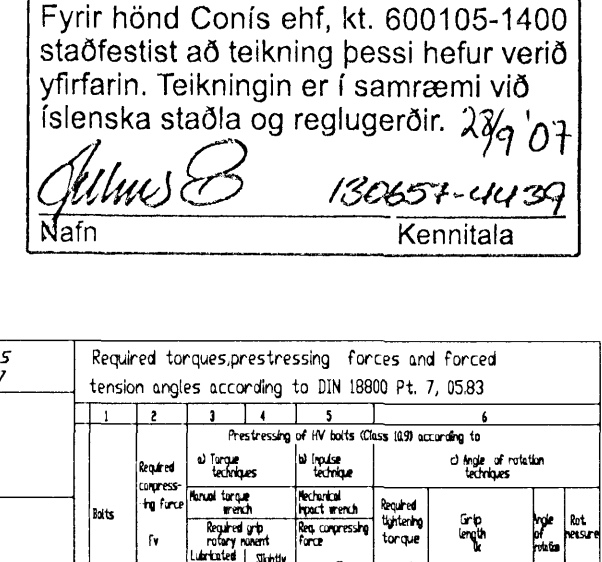
1 x Pos. 430  
MSH100\*4.3076



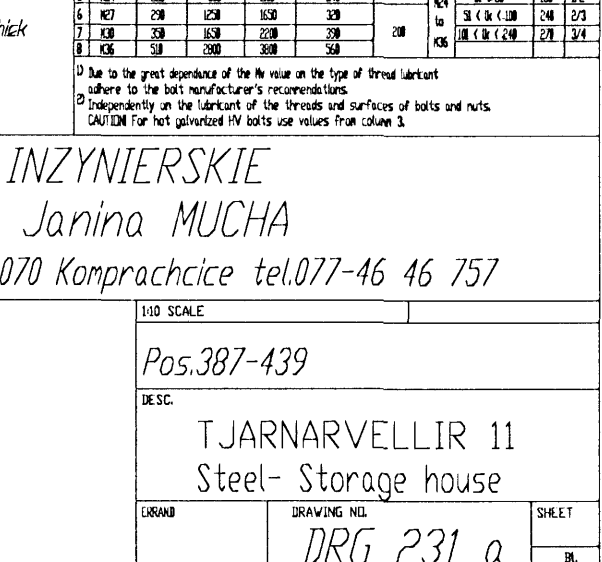
4 x Pos. 431  
MSH100\*4.3076



4 x Pos. 432  
MSH100\*4.3076

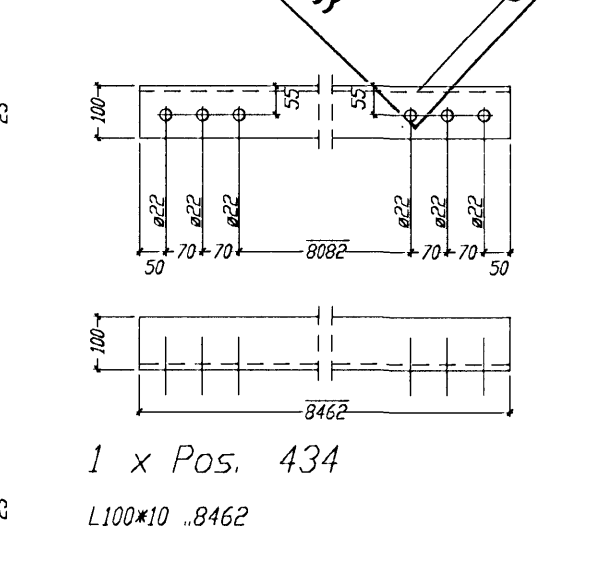


4 x Pos. 433  
MSH100\*4.3076

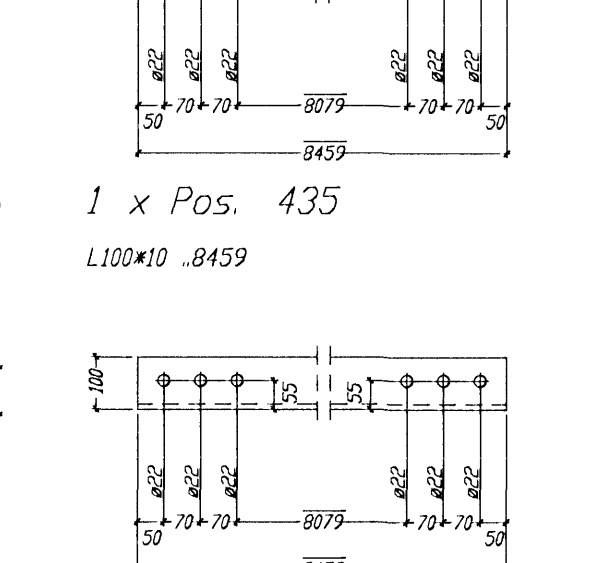


1 x Pos. 434  
MSH100\*4.3076

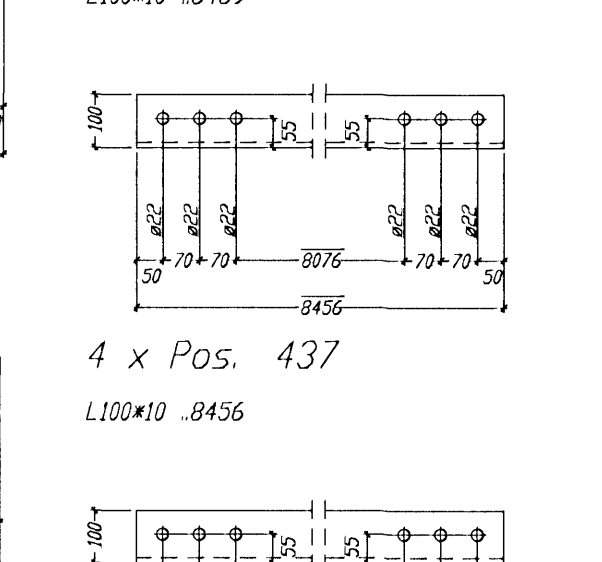
1 x Pos. 435  
MSH100\*4.3076



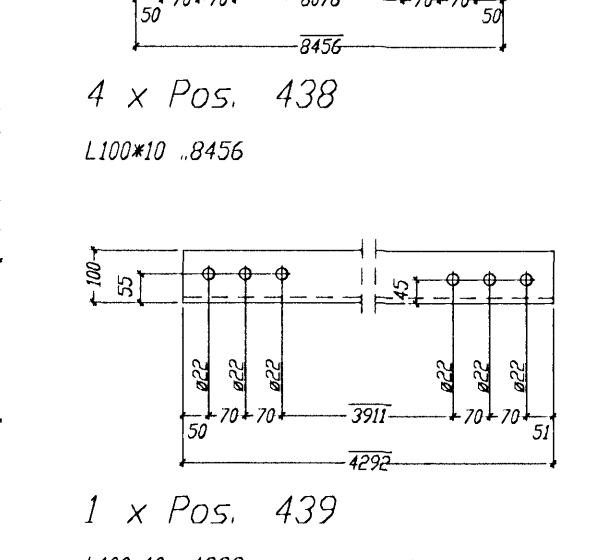
1 x Pos. 436  
MSH100\*4.3076



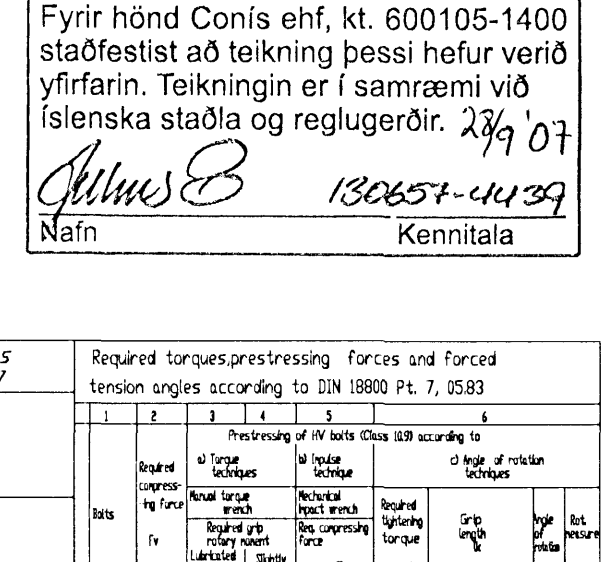
1 x Pos. 437  
MSH100\*4.3076



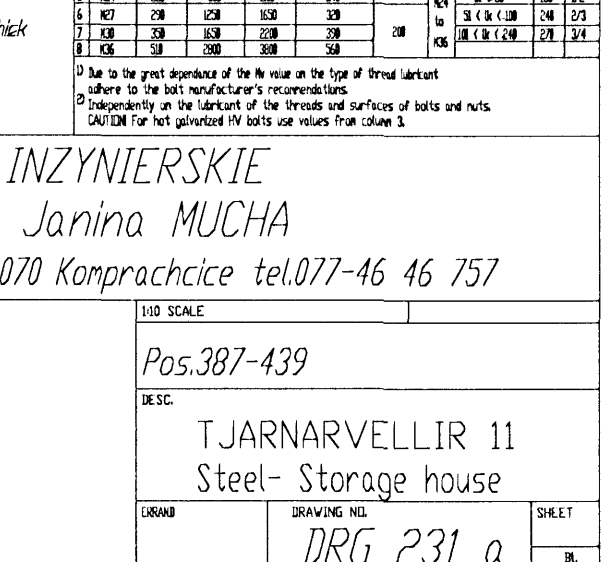
4 x Pos. 438  
MSH100\*4.3076



1 x Pos. 439  
MSH100\*4.2922

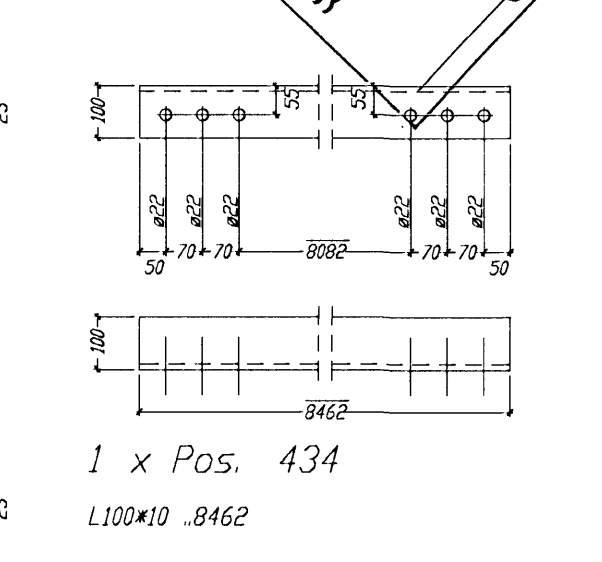


1 x Pos. 440  
MSH100\*4.2922

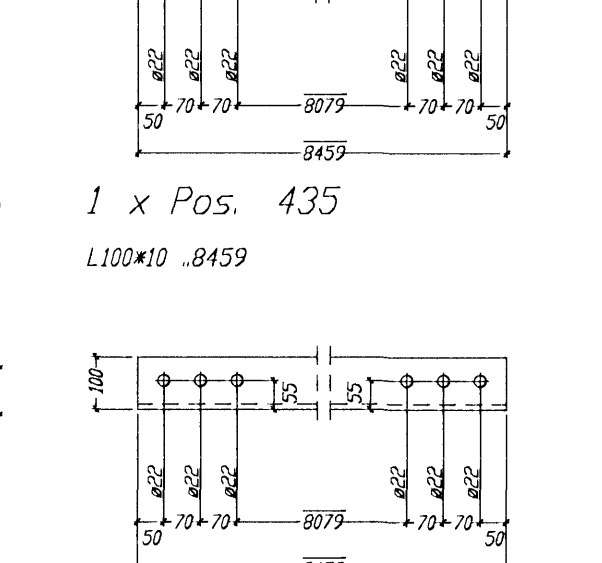


1 x Pos. 441  
MSH100\*4.2922

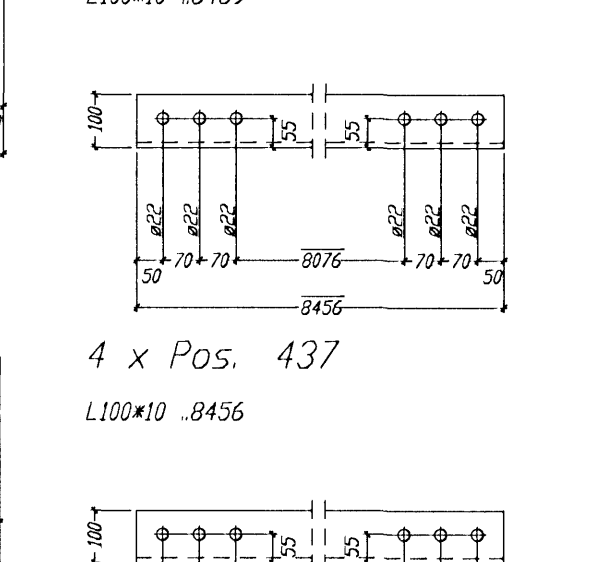
1 x Pos. 442  
MSH100\*4.2922



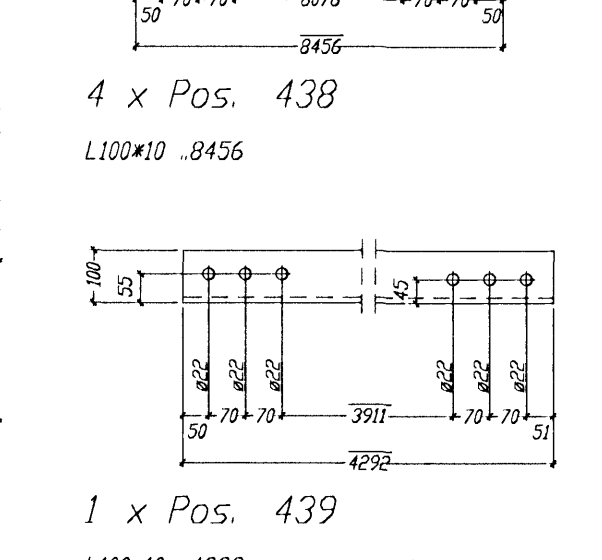
1 x Pos. 443  
MSH100\*4.2922



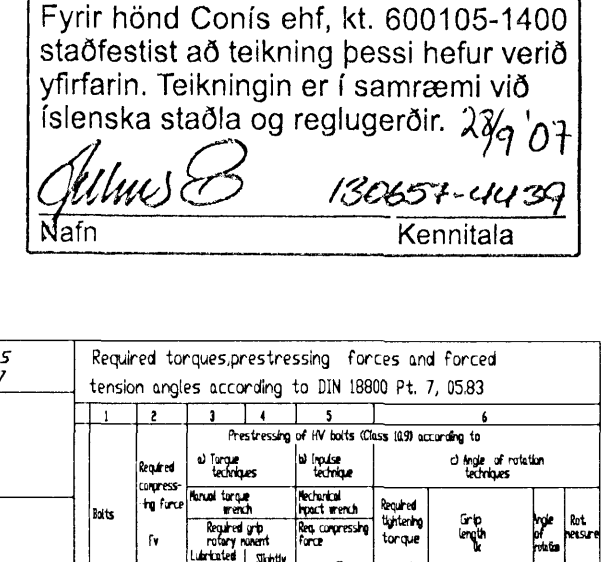
1 x Pos. 444  
MSH100\*4.2922



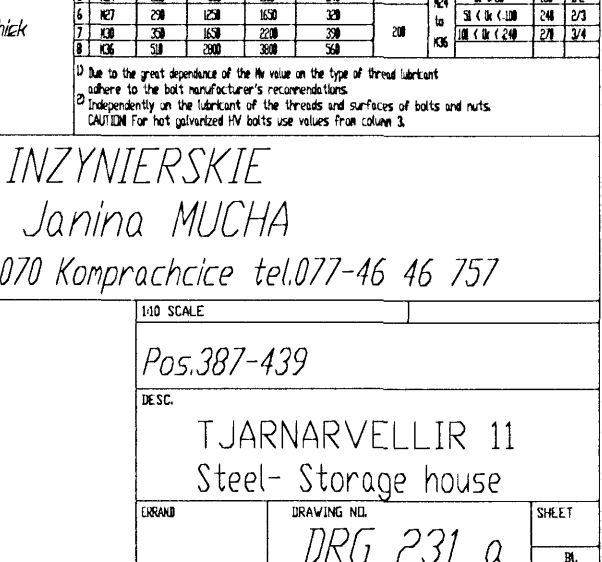
1 x Pos. 445  
MSH100\*4.2922



1 x Pos. 446  
MSH100\*4.2922

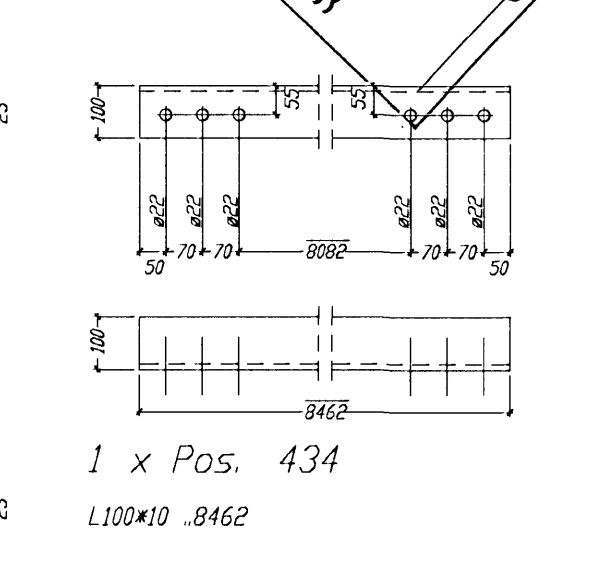


1 x Pos. 447  
MSH100\*4.2922

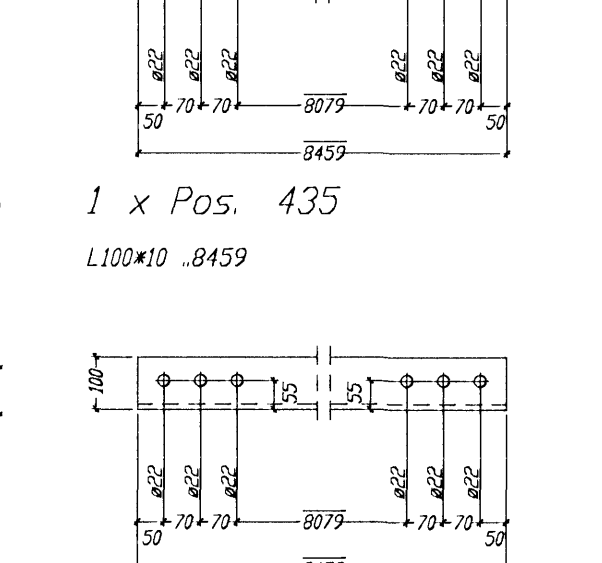


1 x Pos. 448  
MSH100\*4.2922

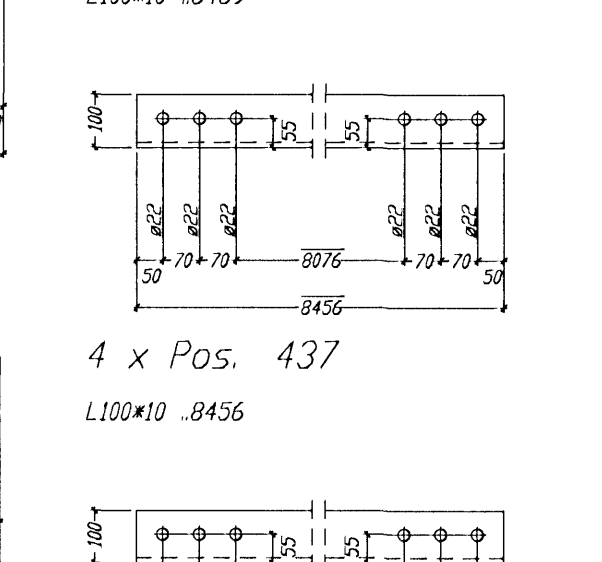
1 x Pos. 449  
MSH100\*4.2922



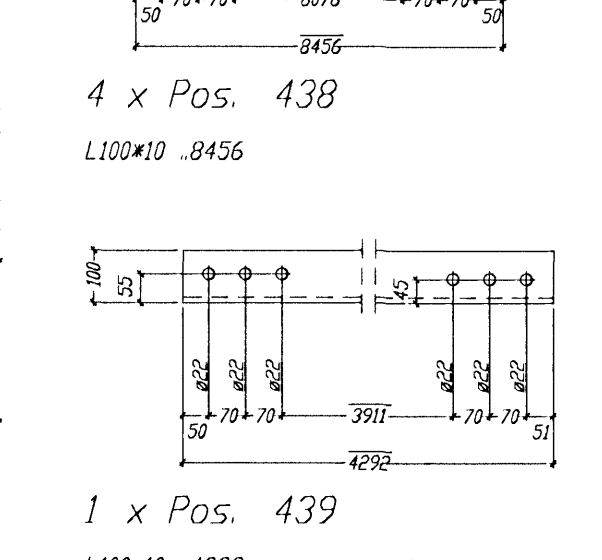
1 x Pos. 450  
MSH100\*4.2922



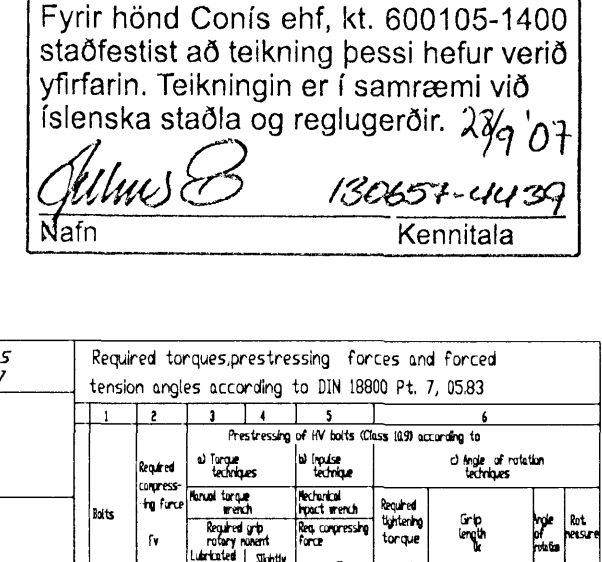
1 x Pos. 451  
MSH100\*4.2922



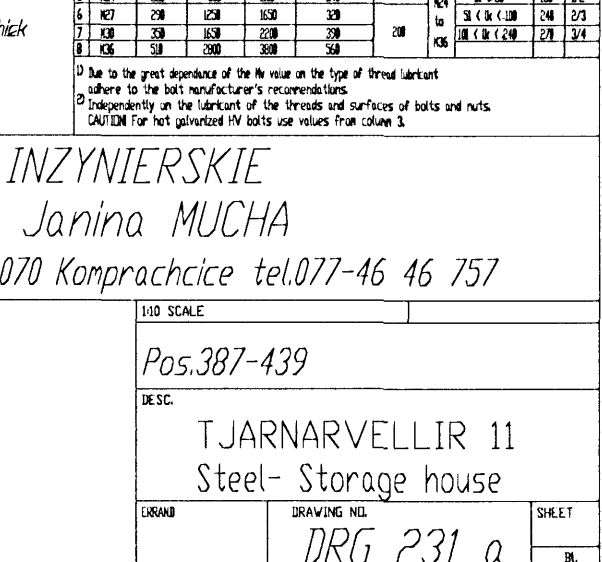
1 x Pos. 452  
MSH100\*4.2922



1 x Pos. 453  
MSH100\*4.2922

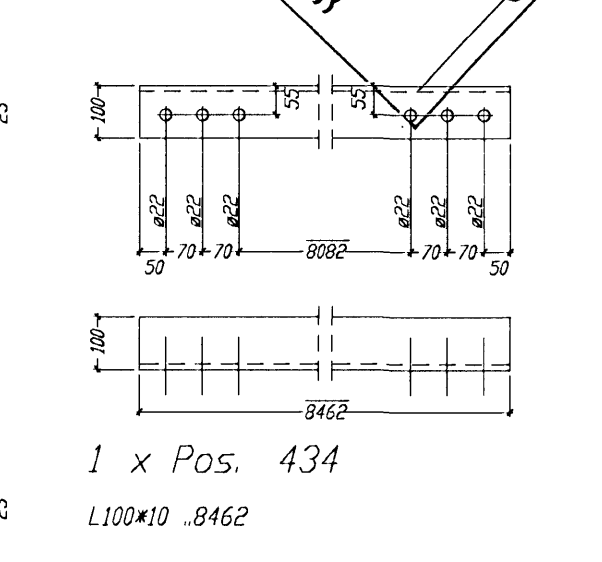


1 x Pos. 454  
MSH100\*4.2922

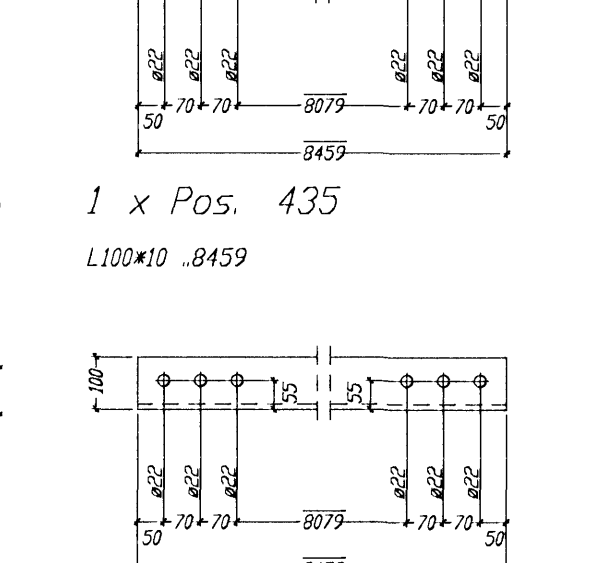


1 x Pos. 455  
MSH100\*4.2922

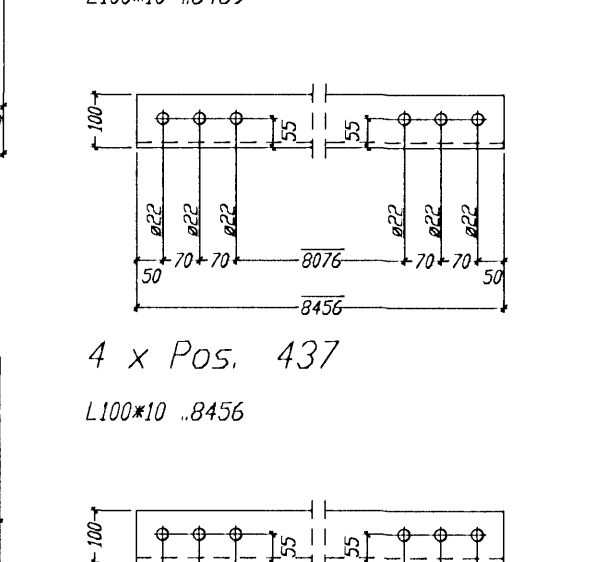
1 x Pos. 456  
MSH100\*4.2922



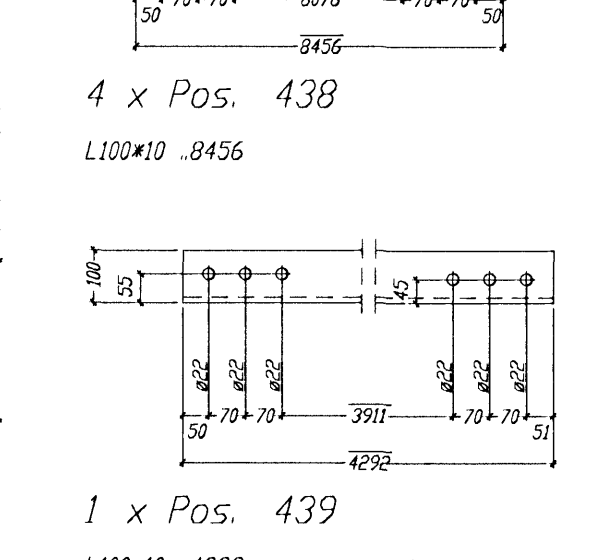
1 x Pos. 457  
MSH100\*4.2922



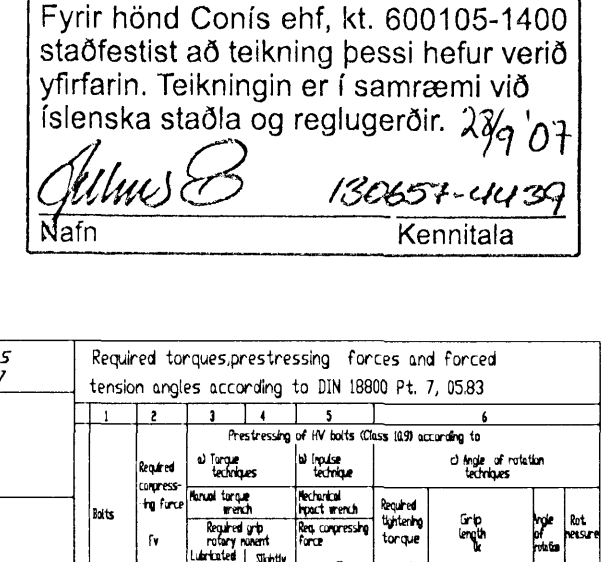
1 x Pos. 458  
MSH100\*4.2922



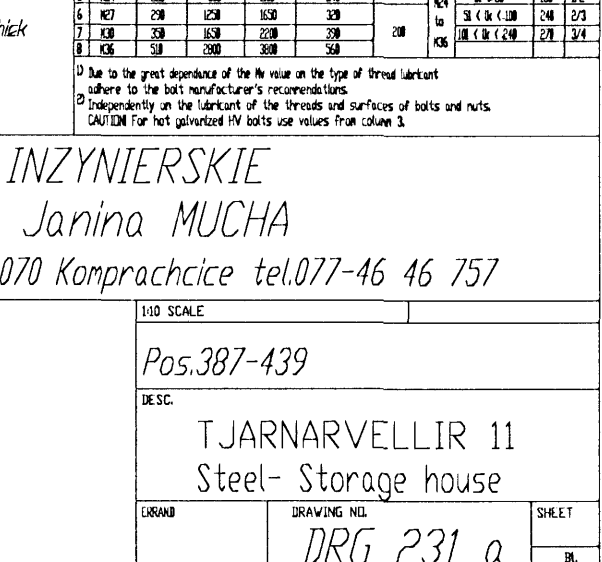
1 x Pos. 459  
MSH100\*4.2922



1 x Pos. 460  
MSH100\*4.2922

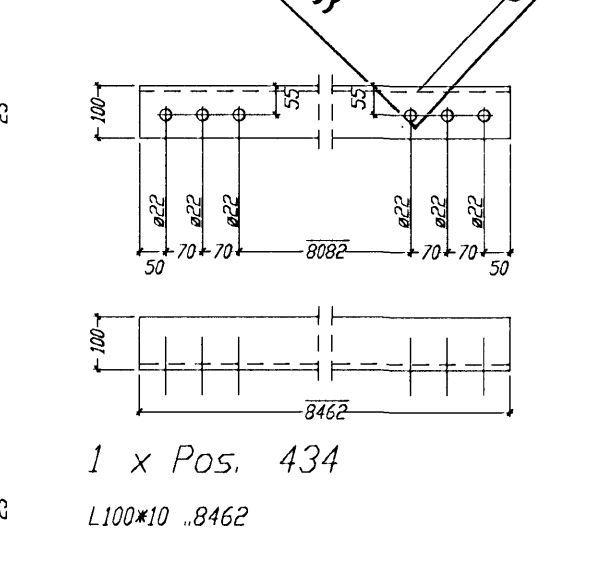


1 x Pos. 461  
MSH100\*4.2922

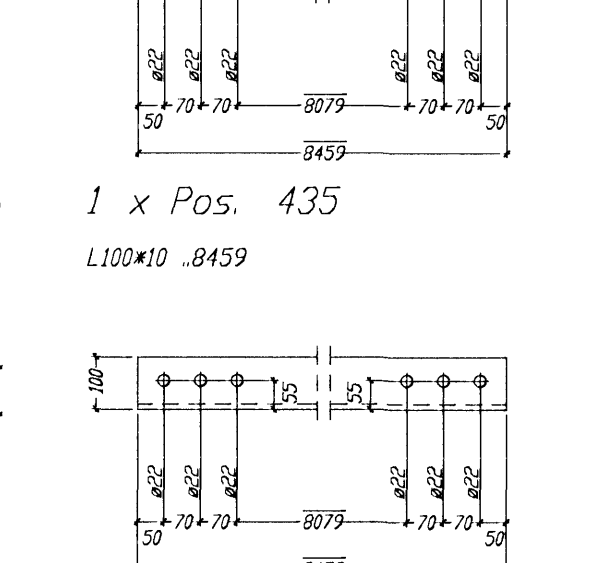


1 x Pos. 462  
MSH100\*4.2922

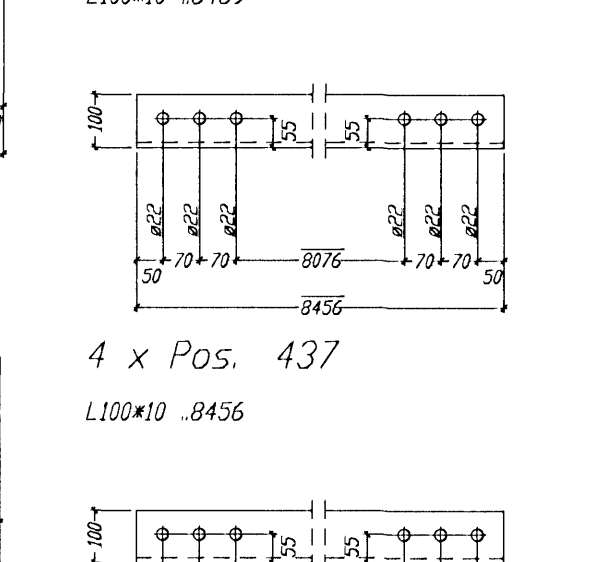
1 x Pos. 463  
MSH100\*4.2922



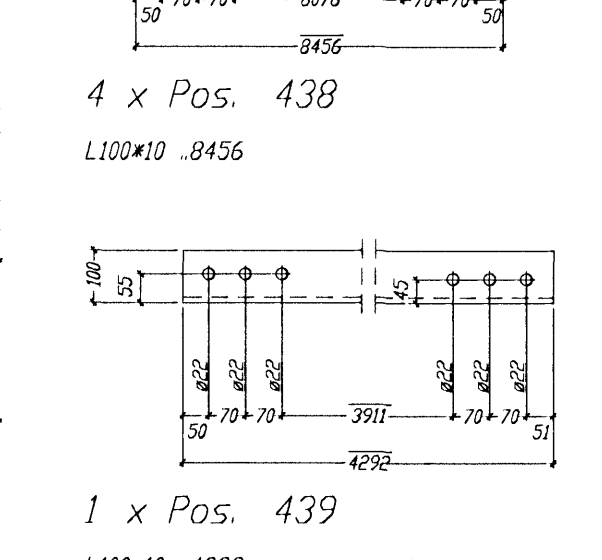
1 x Pos. 464  
MSH100\*4.2922



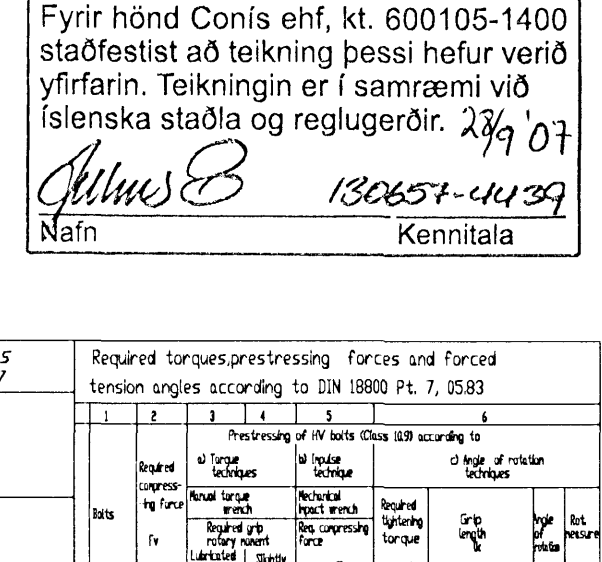
1 x Pos. 465  
MSH100\*4.2922



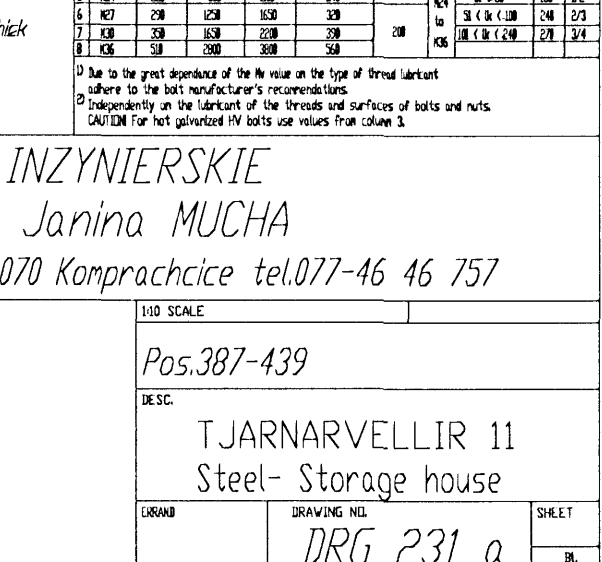
1 x Pos. 466  
MSH100\*4.2922



1 x Pos. 467  
MSH100\*4.2922

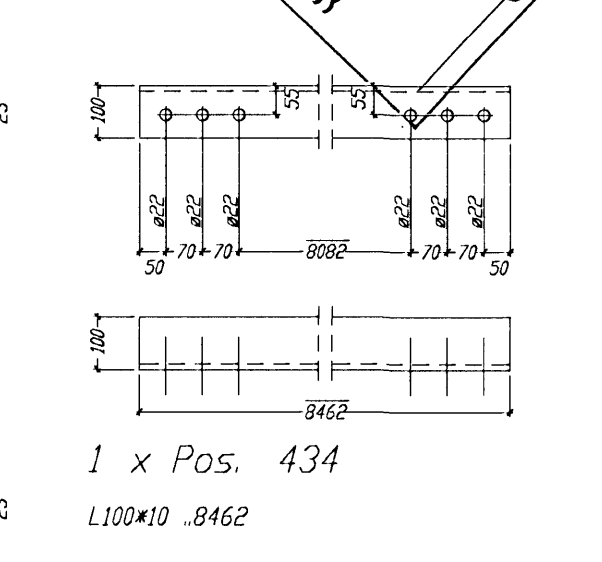


1 x Pos. 468  
MSH100\*4.2922

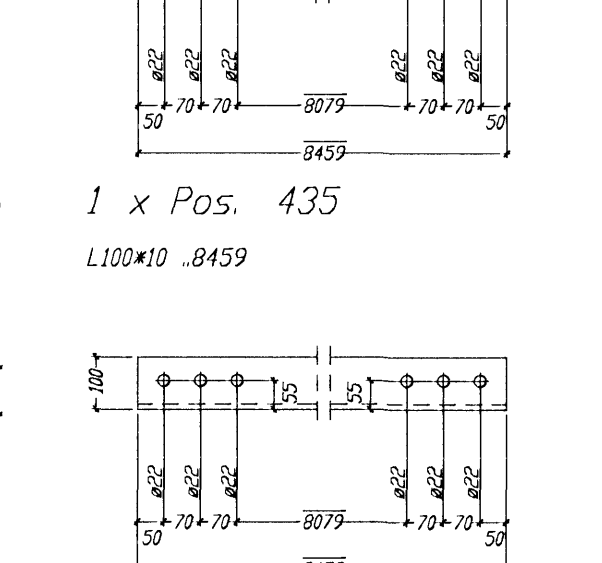


1 x Pos. 469  
MSH100\*4.2922

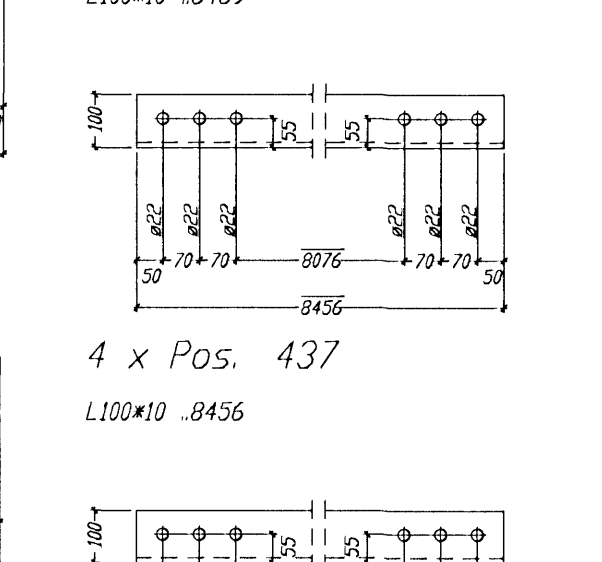
1 x Pos. 470  
MSH100\*4.2922



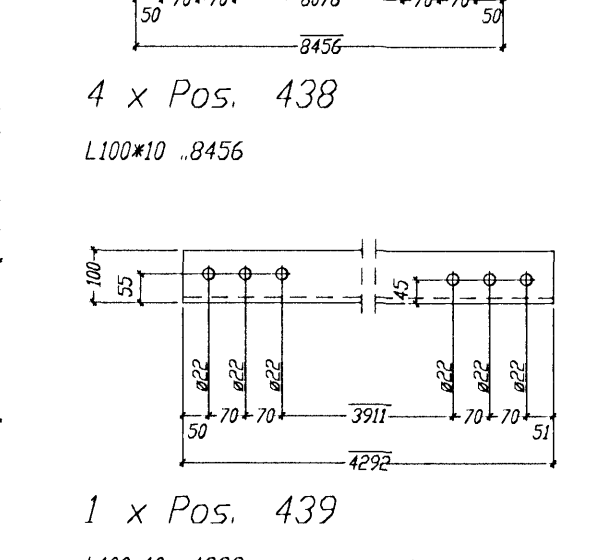
1 x Pos. 471  
MSH100\*4.2922



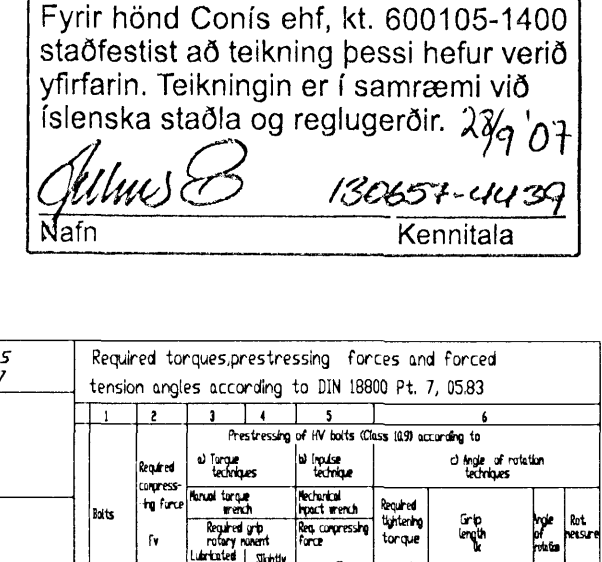
1 x Pos. 472  
MSH100\*4.2922



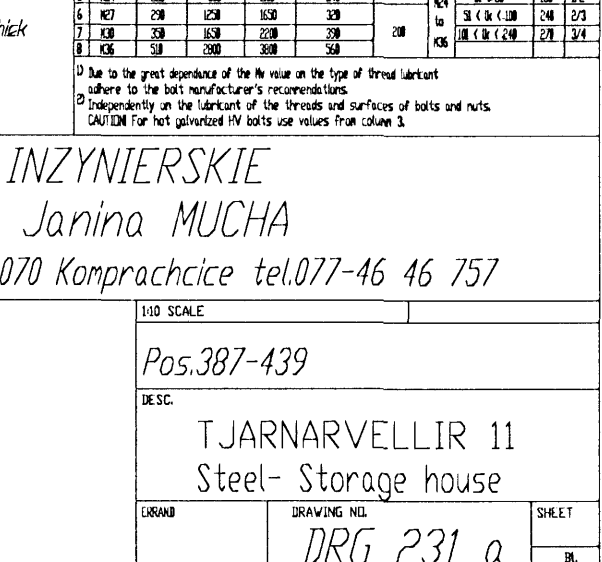
1 x Pos. 473  
MSH100\*4.2922



1 x Pos. 474  
MSH100\*4.2922

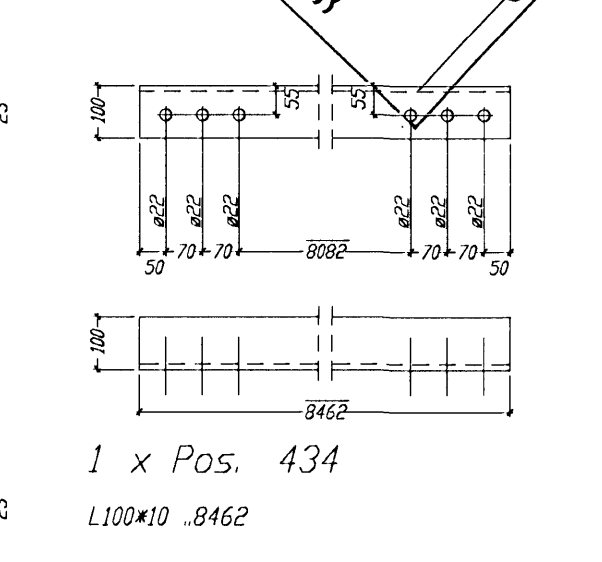


1 x Pos. 475  
MSH100\*4.2922

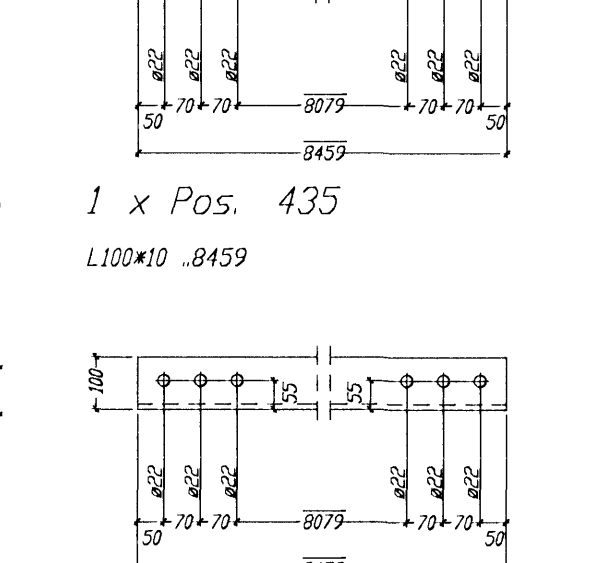


1 x Pos. 476  
MSH100\*4.2922

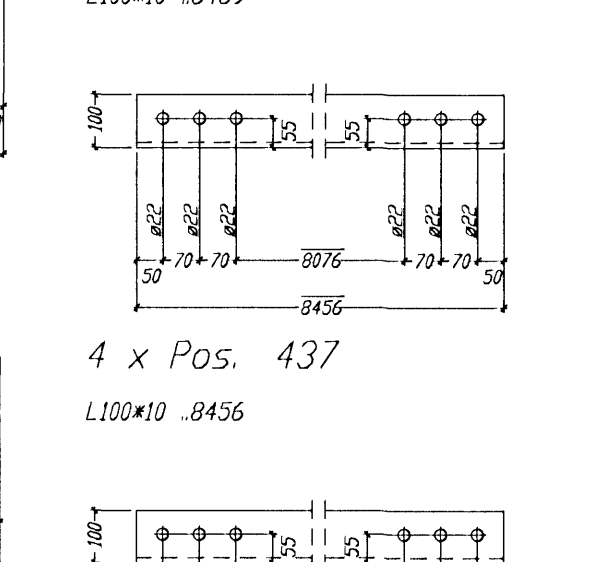
1 x Pos. 477  
MSH100\*4.2922



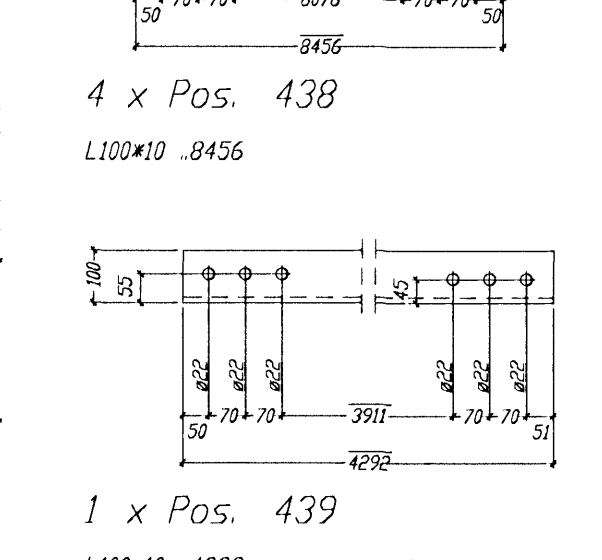
1 x Pos. 478  
MSH100\*4.2922



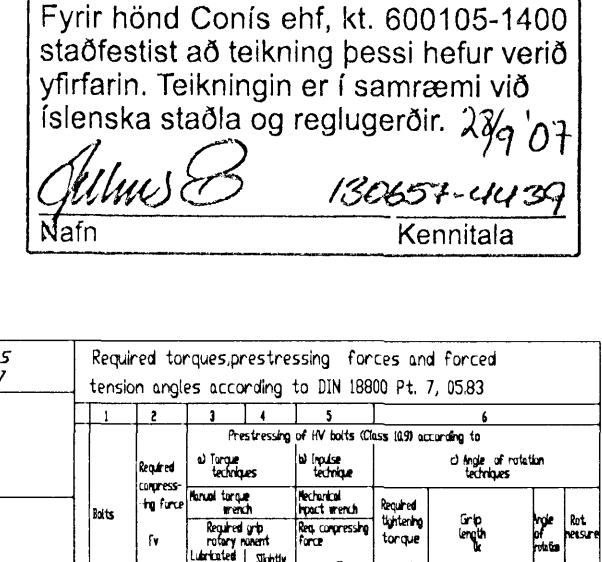
1 x Pos. 479  
MSH100\*4.2922



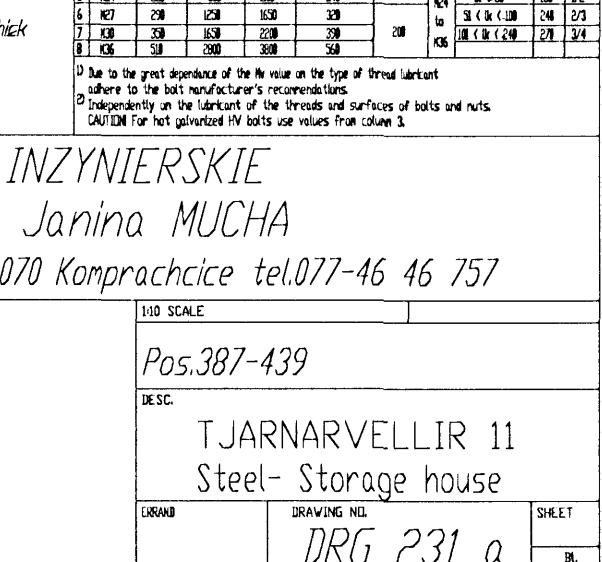
1 x Pos. 480  
MSH100\*4.2922



1 x Pos. 481  
MSH100\*4.2922

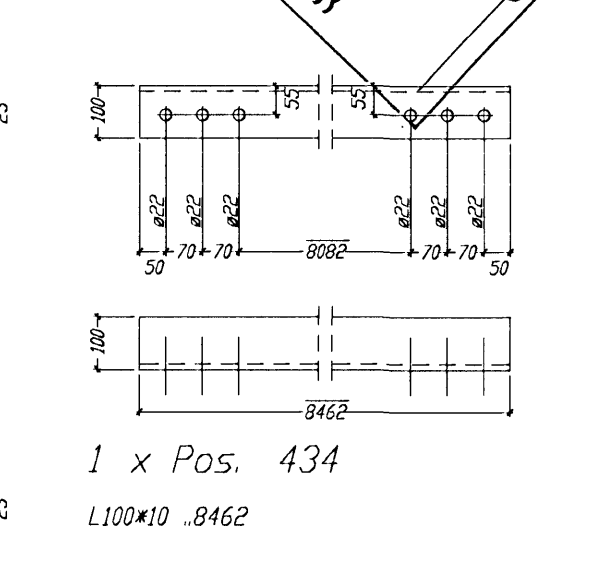


1 x Pos. 482  
MSH100\*4.2922

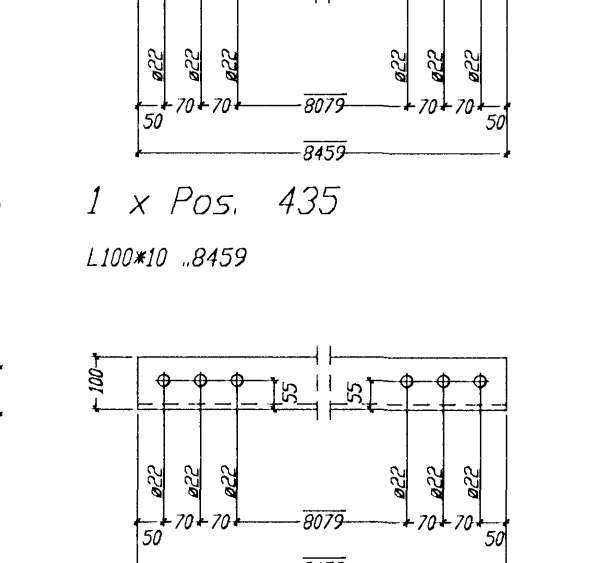


1 x Pos. 483  
MSH100\*4.2922

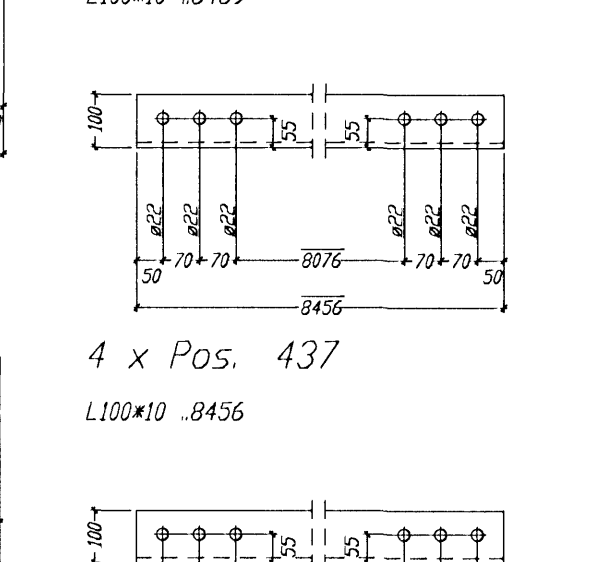
1 x Pos. 484  
MSH100\*4.2922



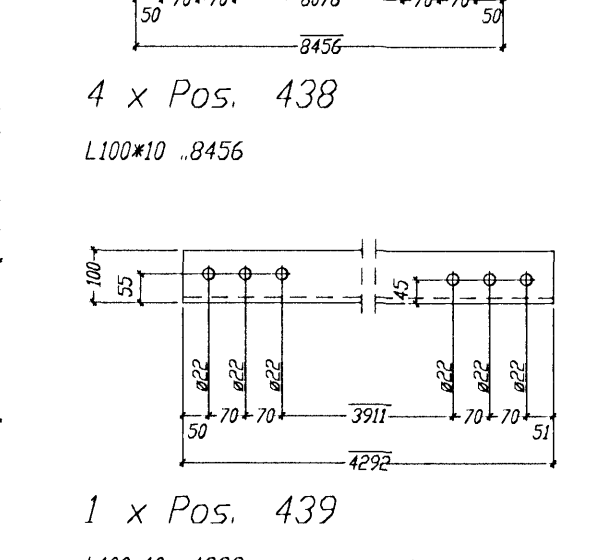
1 x Pos. 485  
MSH100\*4.2922



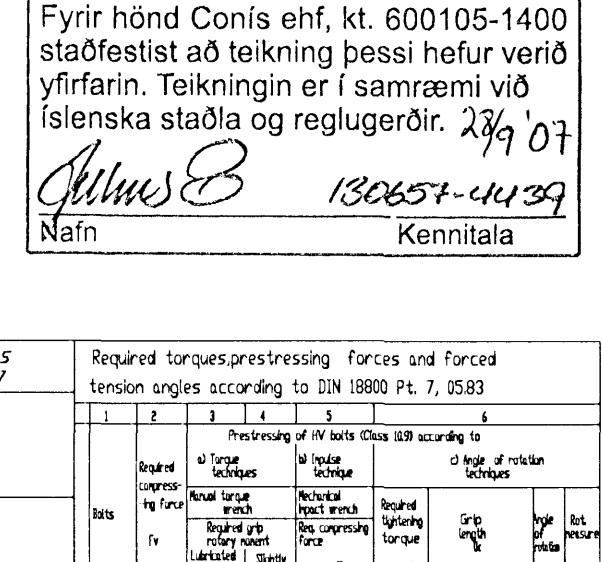
1 x Pos. 486  
MSH100\*4.2922



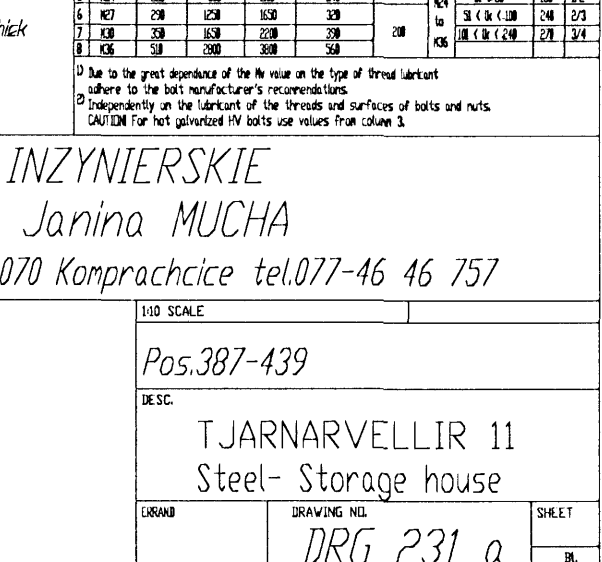
1 x Pos. 487  
MSH100\*4.2922



1 x Pos. 488  
MSH100\*4.2922



1 x Pos. 489  
MSH100\*4.2922



1 x Pos. 490  
MSH100\*4.2922

1 x Pos. 491