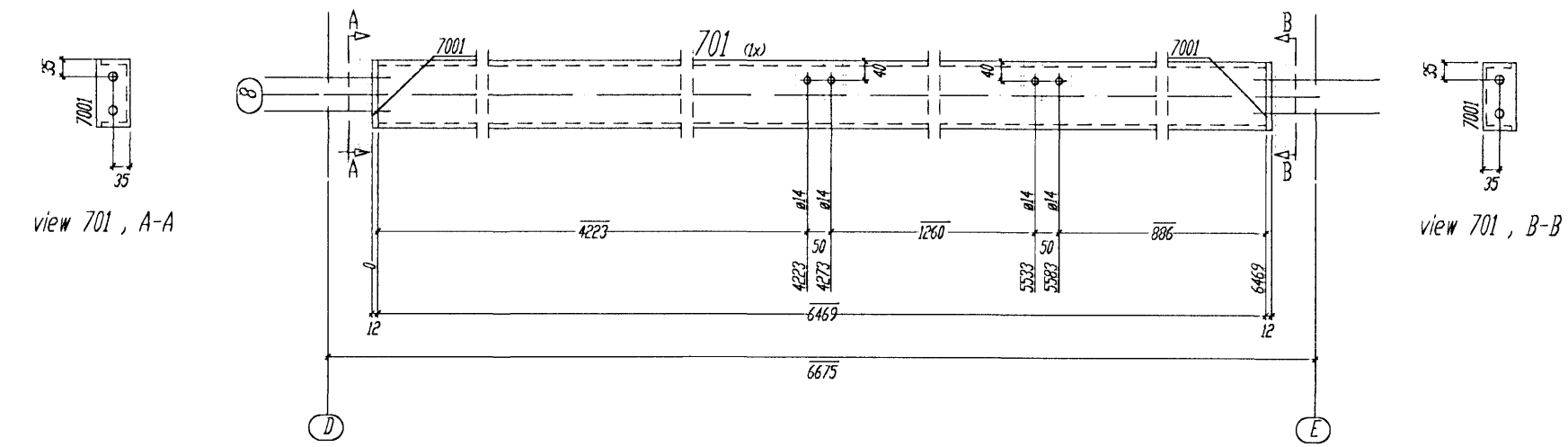


ROOF Sc. 1:100

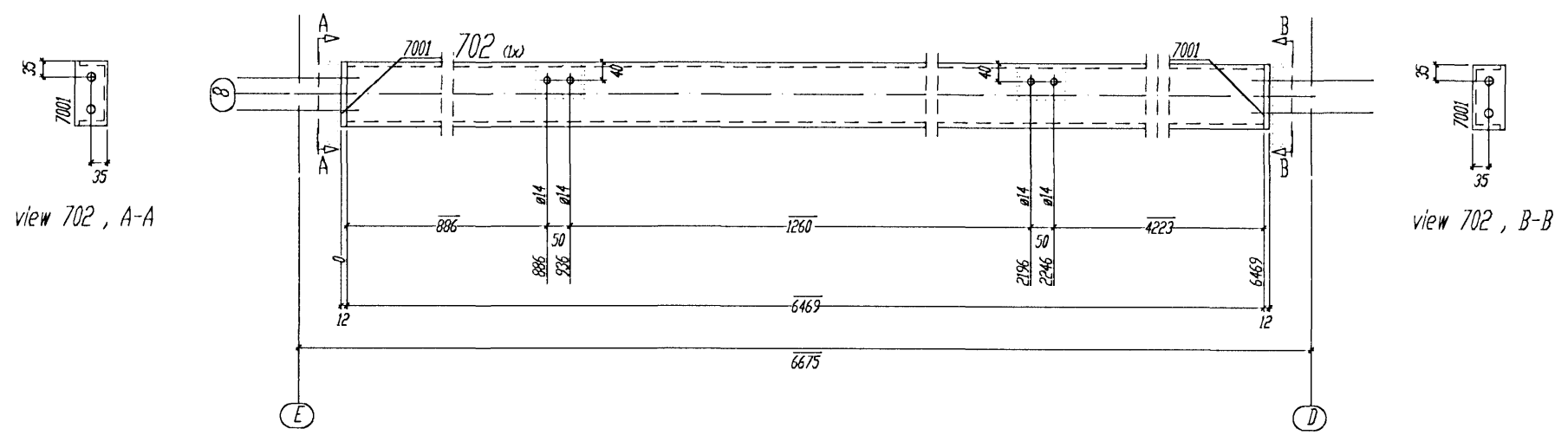
BYGGINGARFRUMMUN  
 18 FEB 2008



# Bill of material for 1 Ship- POS. 701 total 1 X done

Nr.	Pos.	Designation	Qty	Profile	Quality	Length	Weight	Dim.
1	5	701	1	U1040	S235,ER33	6469	103,50	
2	5	701	2	FL140*12	S235,ER33	70	1,85	
Total weight Ship							105,35	

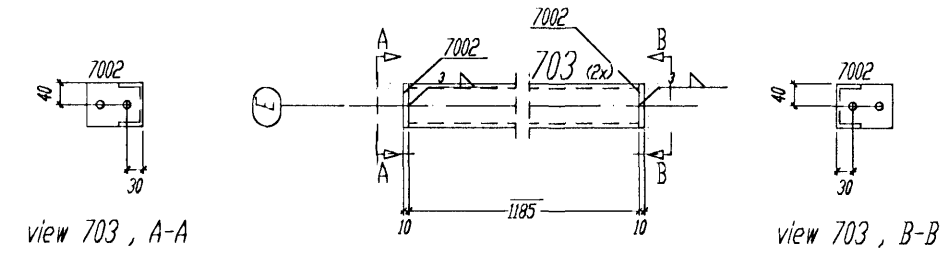
Shipping dimensions (H x B x L) 140 x 70 x 6493



# Bill of material for 1 Ship- POS. 702 total 1 X done

Nr.	Pos.	Designation	Qty	Profile	Quality	Length	Weight	Dim.
1	5	702	1	U1040	S235,ER33	6469	103,50	
2	5	702	2	FL140*12	S235,ER33	70	1,85	
Total weight Ship							105,35	

Shipping dimensions (H x B x L) 140 x 70 x 6493



# Bill of material for 1 Ship- POS. 703 total 2 X done

Nr.	Pos.	Designation	Qty	Profile	Quality	Length	Weight	Dim.
1	5	703	1	U1040	S235,ER33	1185	18,24	
2	5	703	2	FL140*12	S235,ER33	105	1,32	
Total weight Ship							19,56	

Shipping dimensions (H x B x L) 80 x 105 x 1285

4 x Pos. 7001  
 FL140\*12 .70

4 x Pos. 7002  
 FL80\*10 .105

Fyrir hönd Conis ehf, kt. 600105-1400  
 staðfestist að teikning þessi hefur verið  
 yfirfarin. Teikningin er í samræmi við  
 íslenska staðla og reglugerðir. 21/9'07

*Guðmundur*  
 Nafn Kennitala

Tolerance for welded constructions  
 According to DIN 8570, Pt.1-2/Bf.1997

Welding (W.P.S.) according to  
 DIN EN 288 - 2

All unmarked welds to be fillet  
 continuous a=4mm thick,  
 not greater than 0.7 d  
 of the thinner element

The material for cap plates 120 mm thick  
 to be examined for laminations

Weld	a	b	c	d	Preparation of the base		Preparation of the base Class 308 according to		a	b	c	d
					Preparation	Preparation	Preparation	Preparation				
1	10	10	10	10	10	10	10	10	10	10	10	10
2	10	10	10	10	10	10	10	10	10	10	10	10
3	10	10	10	10	10	10	10	10	10	10	10	10
4	10	10	10	10	10	10	10	10	10	10	10	10
5	10	10	10	10	10	10	10	10	10	10	10	10
6	10	10	10	10	10	10	10	10	10	10	10	10
7	10	10	10	10	10	10	10	10	10	10	10	10
8	10	10	10	10	10	10	10	10	10	10	10	10
9	10	10	10	10	10	10	10	10	10	10	10	10
10	10	10	10	10	10	10	10	10	10	10	10	10

BIURO INZYNIERSKIE  
 Marek i Janina MUCHA  
 Długo, ul. Wpolska 30a, 46-070 Komprachcice tel.077-46 46 757

DATE	NAME	SIGNATURE	1:10 SCALE

Main Pos. 701-703

TJARNARVELLIR 11

DRG 401