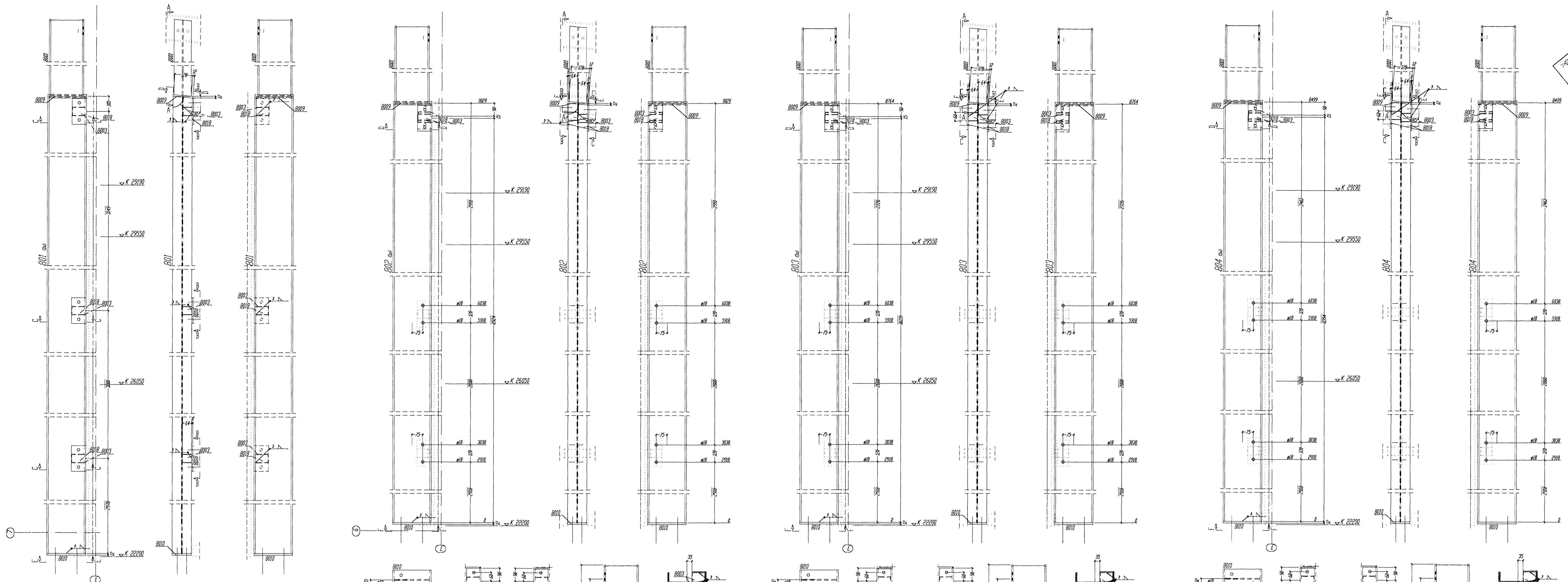


Bráttgjafi Hinn Hálfháttari
Alþingisráðgjafi
18 FEB 2008
VPS



All of material for 1 Dip- POS. 801 total 1 X done

Nr	Typ	pos designation	qty	prof	quality	length	weight	dim
1	Ø	Ø 801	1	Ø 801	SEPS.ER3	3020	3020	
2	Ø	Ø 801	1	Ø 801	SEPS.ER3	120	46.70	
3	Ø	Ø 801	3	Ø 801	SEPS.ER3	64	1.79	
4	Ø	Ø 801	1	Ø 801	SEPS.ER3	140	3.55	
5	Ø	Ø 801	1	Ø 801	SEPS.ER3	120	3.43	
6	Ø	Ø 801	1	Ø 801	SEPS.ER3	180	3.39	
total weight (kg)							391.4	

Shipping dimensions Ø1 x B x Lx 270 x 144 x 1036

All of material for 1 Dip- POS. 802 total 1 X done

Nr	Typ	pos designation	qty	prof	quality	length	weight	dim
1	Ø	Ø 802	1	Ø 802	SEPS.ER3	2670	2670	
2	Ø	Ø 802	1	Ø 802	SEPS.ER3	120	46.70	
3	Ø	Ø 802	2	Ø 802	SEPS.ER3	64	1.79	
4	Ø	Ø 802	1	Ø 802	SEPS.ER3	140	3.55	
5	Ø	Ø 802	1	Ø 802	SEPS.ER3	120	3.43	
6	Ø	Ø 802	2	Ø 802	SEPS.ER3	180	2.26	
total weight (kg)							382.82	

Shipping dimensions Ø1 x B x Lx 270 x 151 x 1053

All of material for 1 Dip- POS. 803 total 1 X done

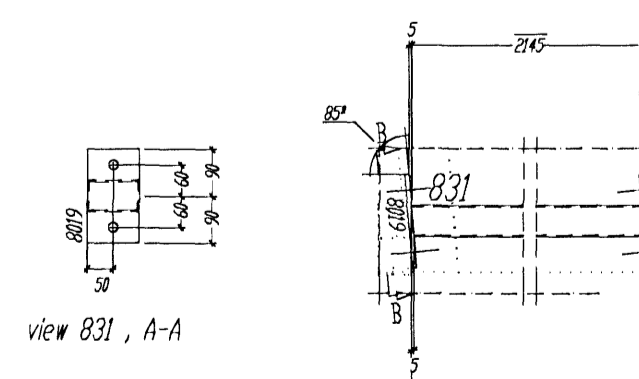
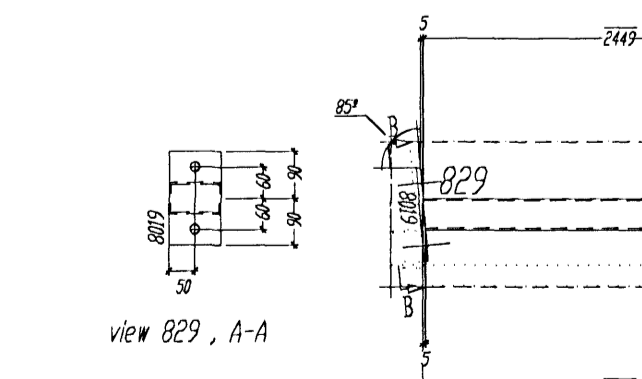
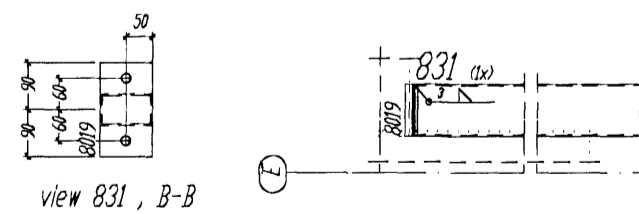
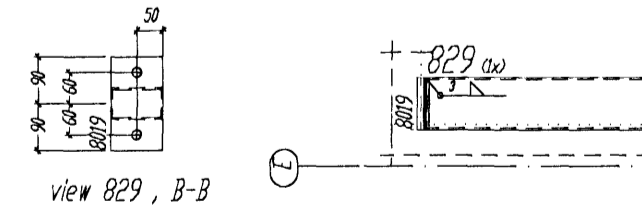
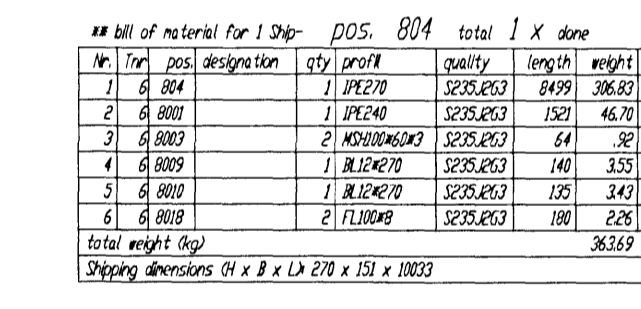
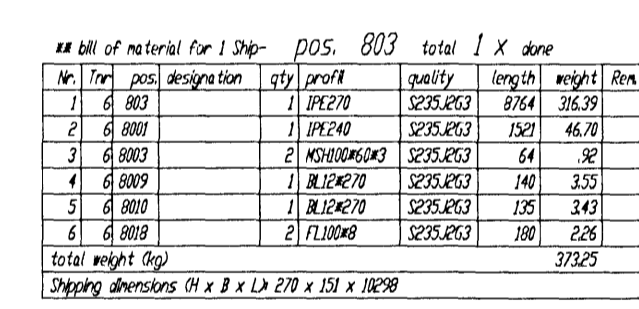
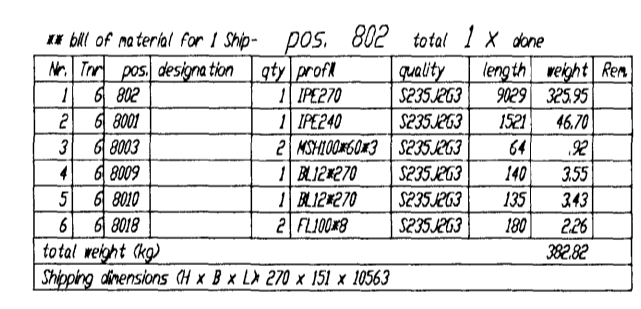
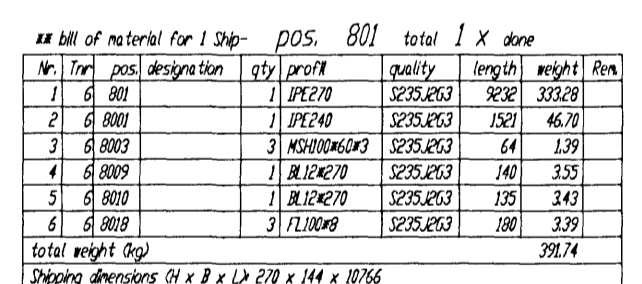
Nr	Typ	pos designation	qty	prof	quality	length	weight	dim
1	Ø	Ø 803	1	Ø 803	SEPS.ER3	2764	2764	
2	Ø	Ø 803	1	Ø 803	SEPS.ER3	120	46.70	
3	Ø	Ø 803	2	Ø 803	SEPS.ER3	64	1.79	
4	Ø	Ø 803	1	Ø 803	SEPS.ER3	140	3.55	
5	Ø	Ø 803	1	Ø 803	SEPS.ER3	120	3.43	
6	Ø	Ø 803	2	Ø 803	SEPS.ER3	180	2.26	
total weight (kg)							3732.5	

Shipping dimensions Ø1 x B x Lx 270 x 151 x 1038

All of material for 1 Dip- POS. 804 total 1 X done

Nr	Typ	pos designation	qty	prof	quality	length	weight	dim
1	Ø	Ø 804	1	Ø 804	SEPS.ER3	2490	2490	
2	Ø	Ø 804	1	Ø 804	SEPS.ER3	120	46.70	
3	Ø	Ø 804	2	Ø 804	SEPS.ER3	64	1.79	
4	Ø	Ø 804	1	Ø 804	SEPS.ER3	140	3.55	
5	Ø	Ø 804	1	Ø 804	SEPS.ER3	120	3.43	
6	Ø	Ø 804	2	Ø 804	SEPS.ER3	180	2.26	
total weight (kg)							3632.9	

Shipping dimensions Ø1 x B x Lx 270 x 151 x 1033



All of material for 1 Dip- POS. 829 total 1 X done

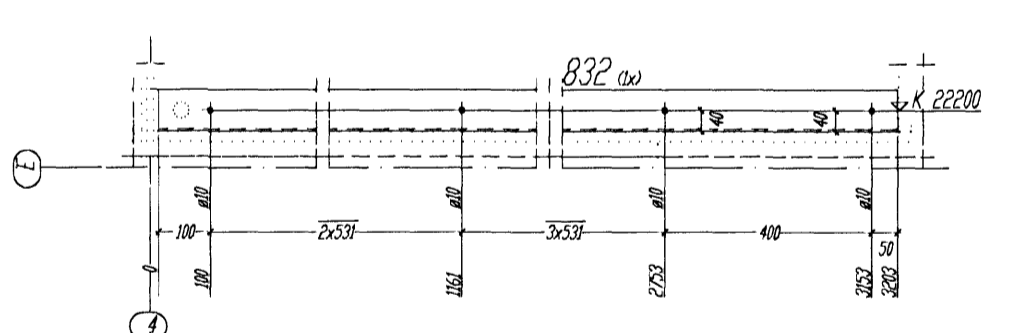
Nr	Typ	pos designation	qty	prof	quality	length	weight	dim
1	Ø	Ø 829	1	Ø 829	SEPS.ER3	2490	2490	
2	Ø	Ø 829	2	Ø 829	SEPS.ER3	120	46.70	
total weight (kg)							1580	

Shipping dimensions Ø1 x B x Lx 180 x 181 x 2475

All of material for 1 Dip- POS. 831 total 1 X done

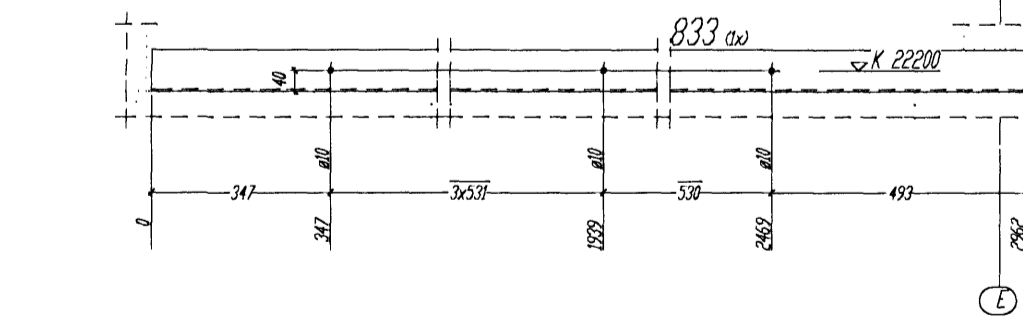
Nr	Typ	pos designation	qty	prof	quality	length	weight	dim
1	Ø	Ø 831	1	Ø 831	SEPS.ER3	2140	2140	
2	Ø	Ø 831	2	Ø 831	SEPS.ER3	120	46.70	
3	Ø	Ø 831	1	Ø 831	SEPS.ER3	180	2.26	
total weight (kg)							1769	

Shipping dimensions Ø1 x B x Lx 180 x 181 x 2371



All of material for 1 Dip- POS. 832 total 1 X done

Nr	Typ	pos designation	qty	prof	quality	length	weight	dim
1	Ø	Ø 832	1	Ø 832	SEPS.ER3	2300	2300	
total weight (kg)							1550	

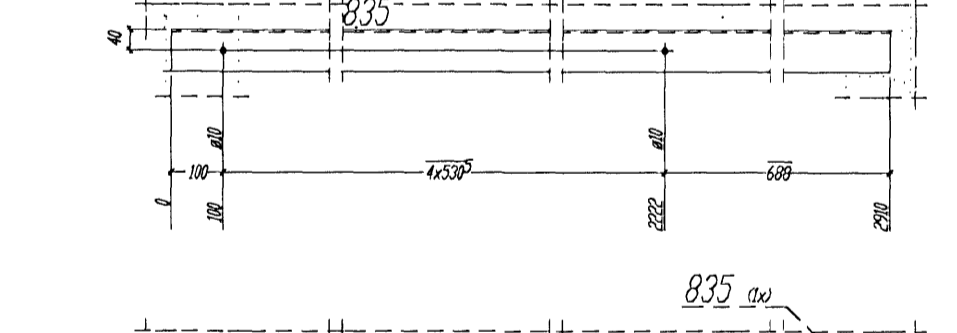


All of material for 1 Dip- POS. 833 total 1 X done

Nr	Typ	pos designation	qty	prof	quality	length	weight	dim
1	Ø	Ø 833	1	Ø 833	SEPS.ER3	2262	2262	
total weight (kg)							1451	

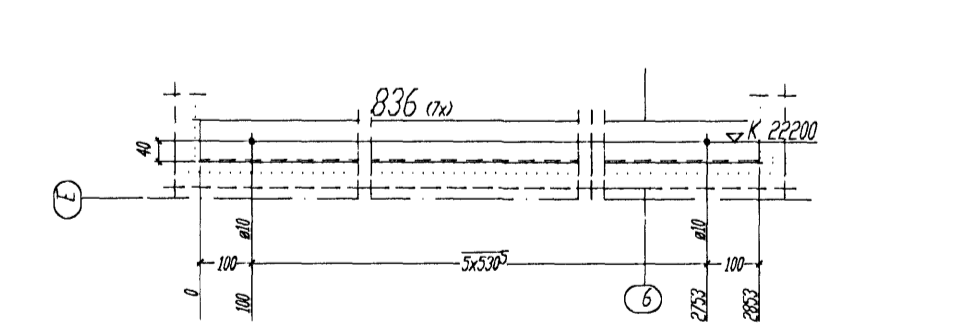
All of material for 1 Dip- POS. 834 total 1 X done

Nr	Typ	pos designation	qty	prof	quality	length	weight	dim
1	Ø	Ø 834	1	Ø 834	SEPS.ER3	2200	2200	
total weight (kg)							1425	



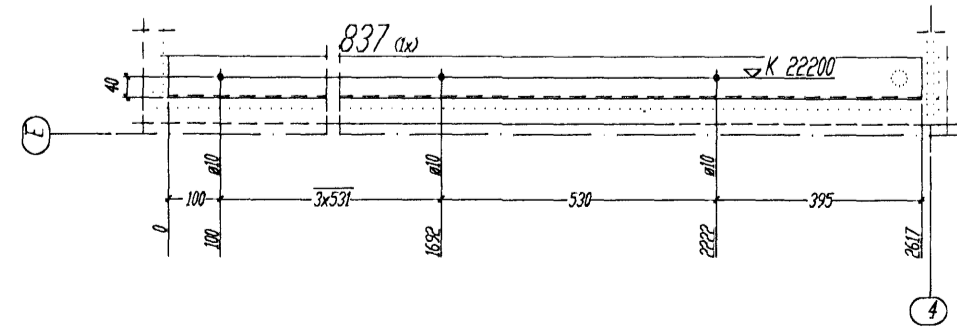
All of material for 1 Dip- POS. 835 total 1 X done

Nr	Typ	pos designation	qty	prof	quality	length	weight	dim
1	Ø	Ø 835	1	Ø 835	SEPS.ER3	2200	2200	
total weight (kg)							1425	



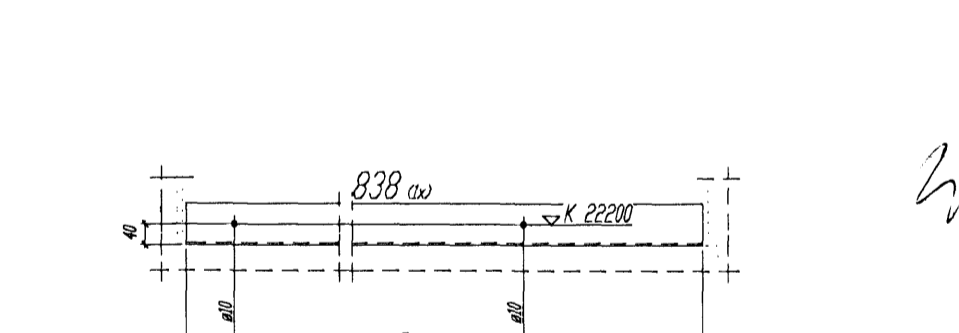
All of material for 1 Dip- POS. 836 total 7 X done

Nr	Typ	pos designation	qty	prof	quality	length	weight	dim
1	Ø	Ø 836	7	Ø 836	SEPS.ER3	2460	1590	
total weight (kg)							1590	



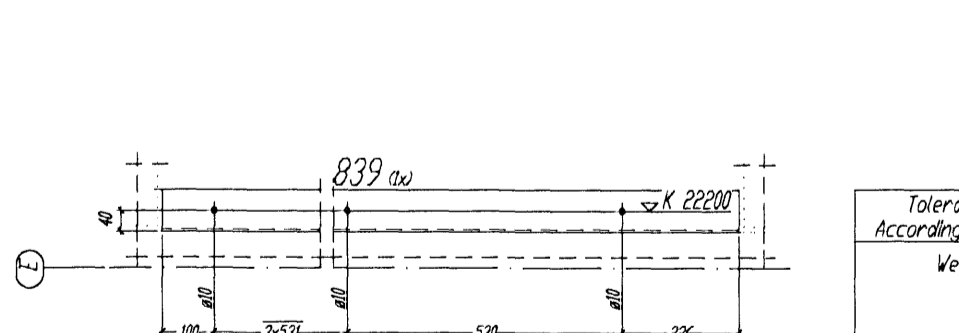
All of material for 1 Dip- POS. 837 total 1 X done

Nr	Typ	pos designation	qty	prof	quality	length	weight	dim
1	Ø	Ø 837	1	Ø 837	SEPS.ER3	2300	2300	
total weight (kg)							1550	



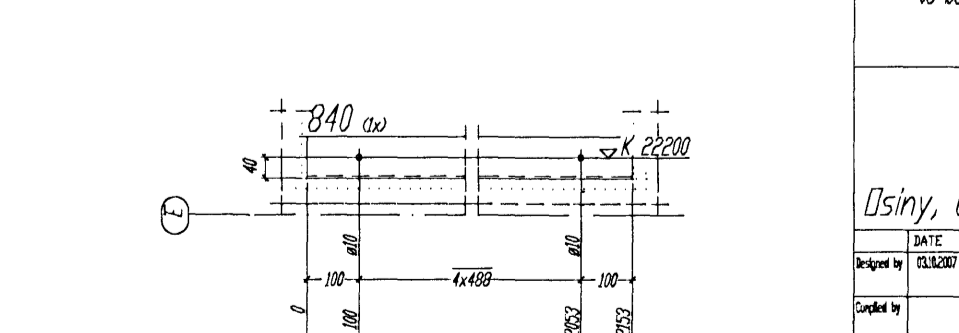
All of material for 1 Dip- POS. 838 total 1 X done

Nr	Typ	pos designation	qty	prof	quality	length	weight	dim
1	Ø	Ø 838	1	Ø 838	SEPS.ER3	2262	2262	
total weight (kg)							1451	



All of material for 1 Dip- POS. 839 total 1 X done

Nr	Typ	pos designation	qty	prof	quality	length	weight	dim
1	Ø	Ø 839	1	Ø 839	SEPS.ER3	2460	1590	
total weight (kg)							1590	



All of material for 1 Dip- POS. 840 total 1 X done

Nr	Typ	pos designation	qty	prof	quality	length	weight	dim
1	Ø	Ø 840	1	Ø 840	SEPS.ER3	2320	2320	
total weight (kg)							1525	

Fyrir hönd Conis ehf, kt. 600105-1400
staðfestist að teikning þessi hefur verið
yfirlit. Teikningin er í samræmi við
íslenska stöðla og reglugerðir. 1/10 DT

Stefnir 130657-4139
Máfr Kennitala

Tolerance for welded constructions
According to DIN 8570, BE13/BF1027

Required tensile/prestressing forces and forced
tension angles according to DIN 10800 Pt. 7, BS 83

Welding (C V P S) according to
DIN-EN 280 - 2

All unmarked welds to be fillet
continuous a=4mm thick,
not greater than 0.7 d
of the thinner element

The material for cap plates 120 mm thick
to be examined for laminations

BIURO INŻYNIERSKIE
Marek i Janina MUCHA
Bisiny, ul. Opolska 30a, 46-070 Komprachcice tel:077-46 46 757

DATE	NAME	SIGNATURE	JOB SCALE
DESIGNED	DRG		502
CHECKED			
DATE <td></td> <td></td> <td></td>			

Main Pos. 801-805, 829-841
TJARNARVELLIR 11