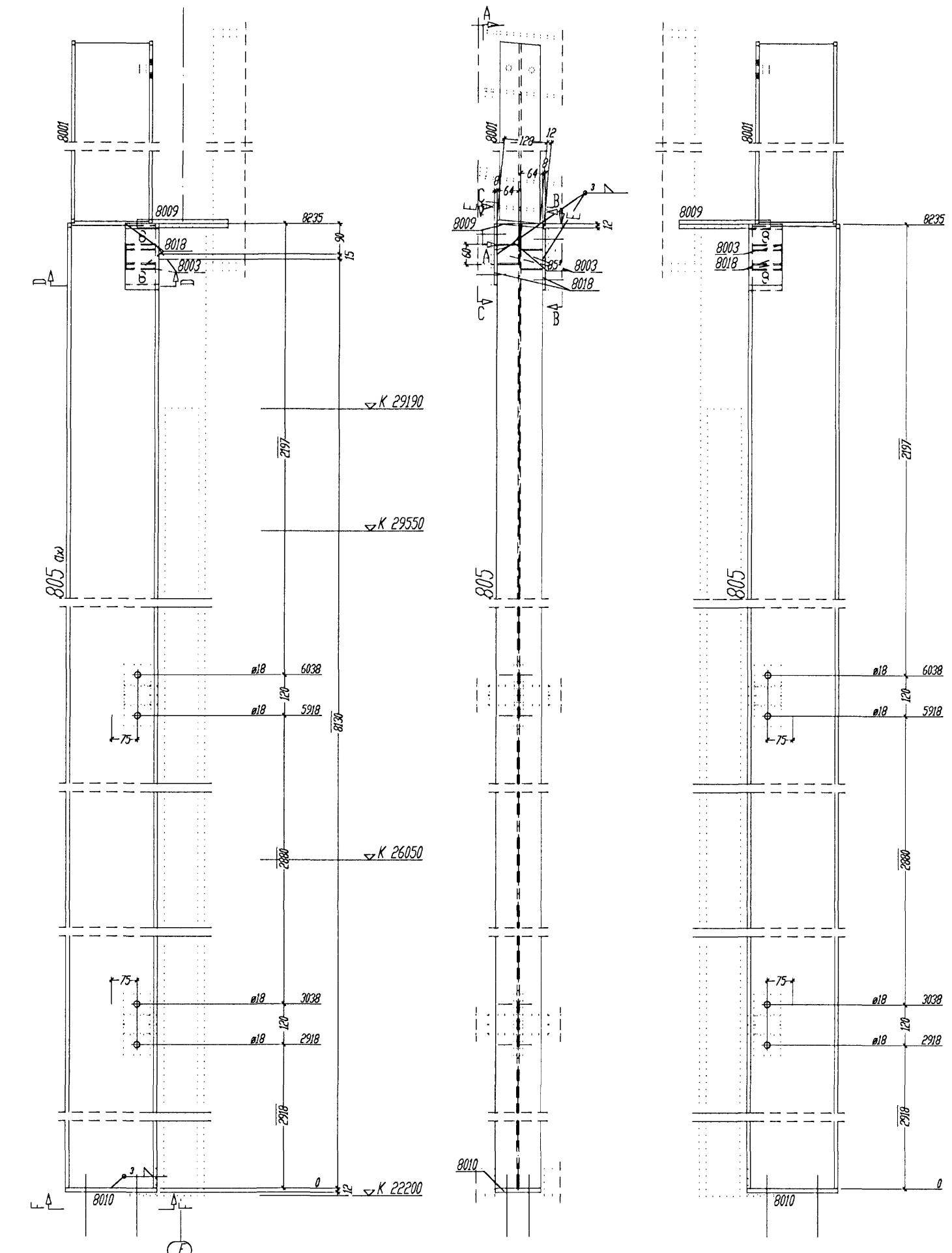


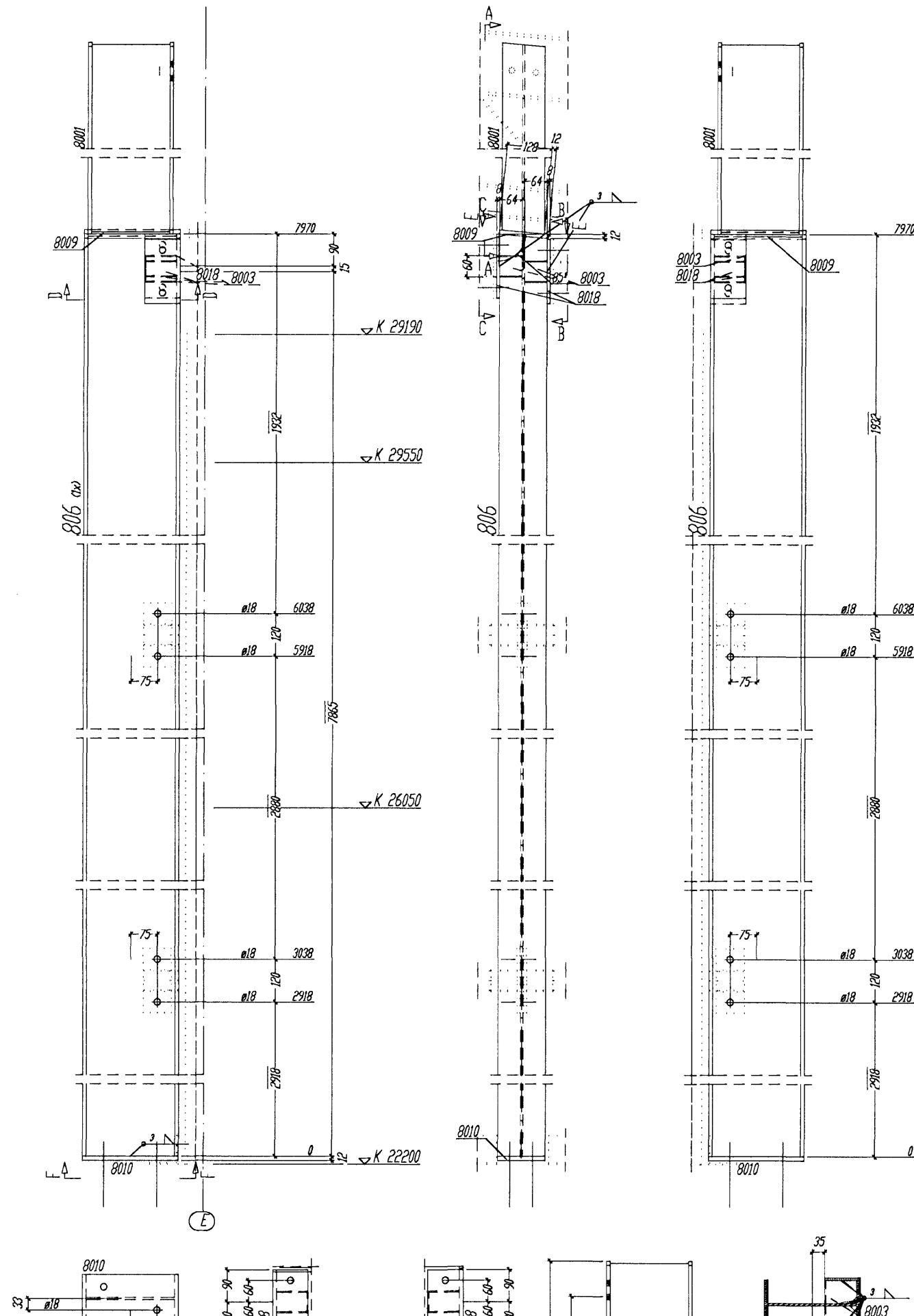
18 FEB 2008  
 WJS  
 Wydział Inżynierii Mechanicznej  
 Politechniki Wrocławskiej



## Bill of material for 1 Shop - POS. 805 total 1 X done

Nr. poz.	pos. designation	qty	prof.	quality	length	weight	Arm.
1	6.800	1	1000000000	SP20S.2K3	8000	291.27	
2	6.801	1	1000000000	SP20S.2K3	750	46.70	
3	6.802	2	1000000000	SP20S.2K3	14	30	
4	6.803	1	1000000000	SP20S.2K3	140	333	
5	6.804	1	1000000000	SP20S.2K3	125	343	
6	6.805	2	1000000000	SP20S.2K3	180	226	
total weight (kg)							364.9

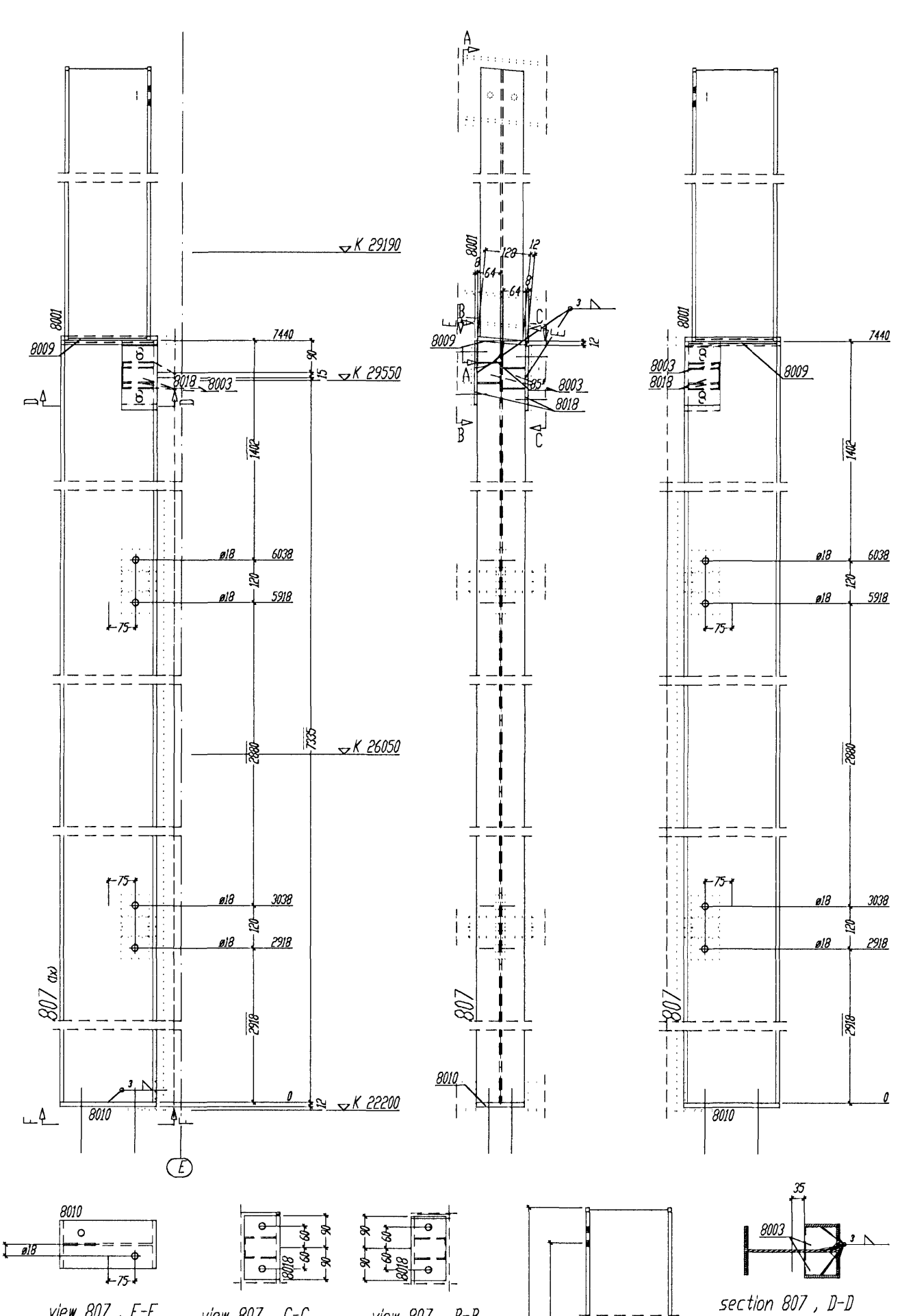
Shipping dimensions 01 x B x L x 475 x 151 x 9789



## Bill of material for 1 Shop - POS. 806 total 1 X done

Nr. poz.	pos. designation	qty	prof.	quality	length	weight	Arm.
1	6.806	1	1000000000	SP20S.2K3	7970	282.71	
2	6.807	1	1000000000	SP20S.2K3	740	46.70	
3	6.808	2	1000000000	SP20S.2K3	14	30	
4	6.809	1	1000000000	SP20S.2K3	140	333	
5	6.810	1	1000000000	SP20S.2K3	125	343	
6	6.811	2	1000000000	SP20S.2K3	180	226	
total weight (kg)							364.9

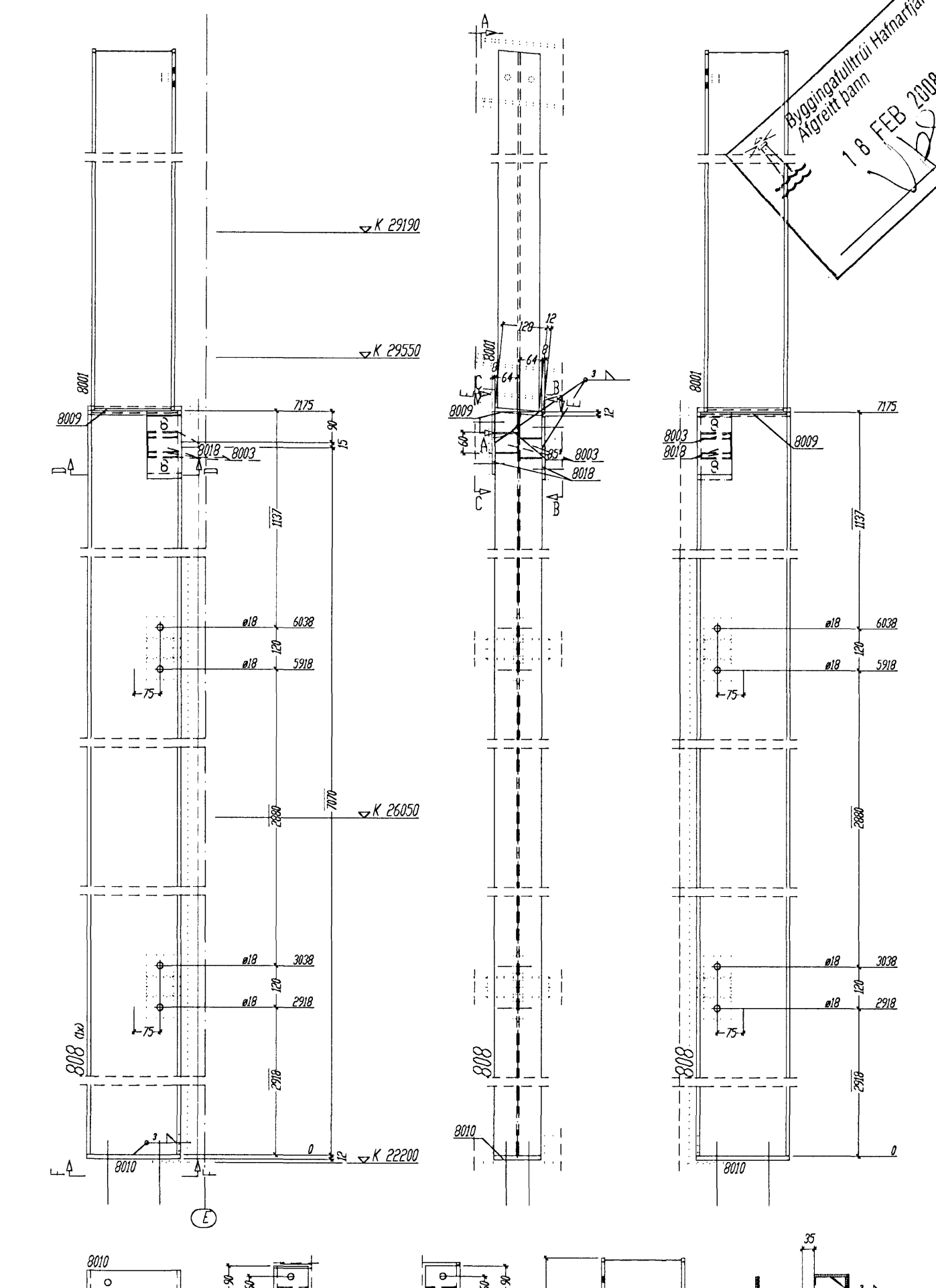
Shipping dimensions 01 x B x L x 475 x 151 x 9504



## Bill of material for 1 Shop - POS. 807 total 1 X done

Nr. poz.	pos. designation	qty	prof.	quality	length	weight	Arm.
1	6.807	1	1000000000	SP20S.2K3	740	268.58	
2	6.808	1	1000000000	SP20S.2K3	750	46.70	
3	6.809	2	1000000000	SP20S.2K3	14	30	
4	6.810	1	1000000000	SP20S.2K3	140	333	
5	6.811	1	1000000000	SP20S.2K3	125	343	
6	6.812	2	1000000000	SP20S.2K3	180	226	
total weight (kg)							365.43

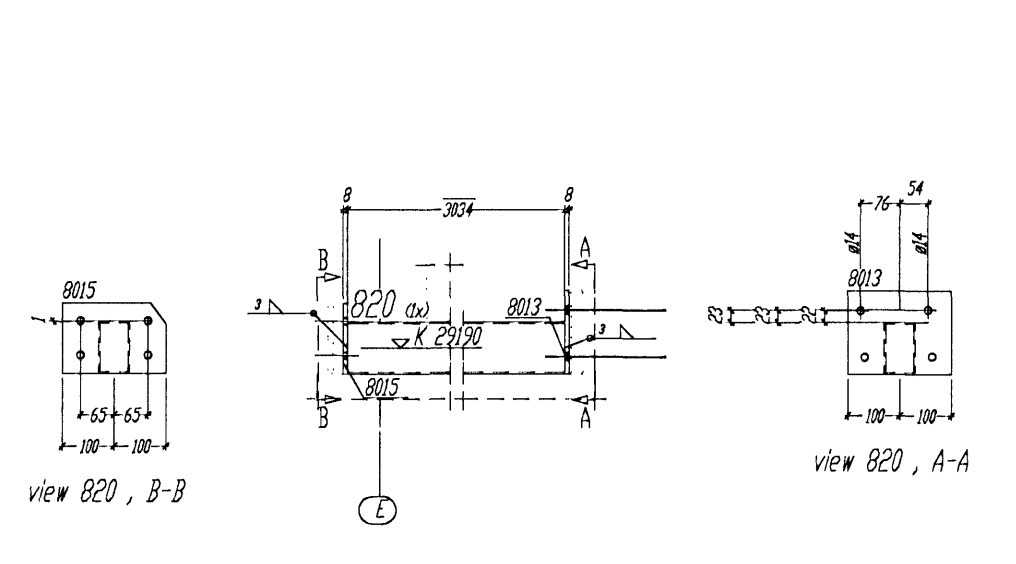
Shipping dimensions 01 x B x L x 475 x 151 x 8974



## Bill of material for 1 Shop - POS. 808 total 1 X done

Nr. poz.	pos. designation	qty	prof.	quality	length	weight	Arm.
1	6.808	1	1000000000	SP20S.2K3	775	253.82	
2	6.809	1	1000000000	SP20S.2K3	740	46.70	
3	6.810	2	1000000000	SP20S.2K3	14	30	
4	6.811	1	1000000000	SP20S.2K3	140	333	
5	6.812	1	1000000000	SP20S.2K3	125	343	
6	6.813	2	1000000000	SP20S.2K3	180	226	
total weight (kg)							365.9

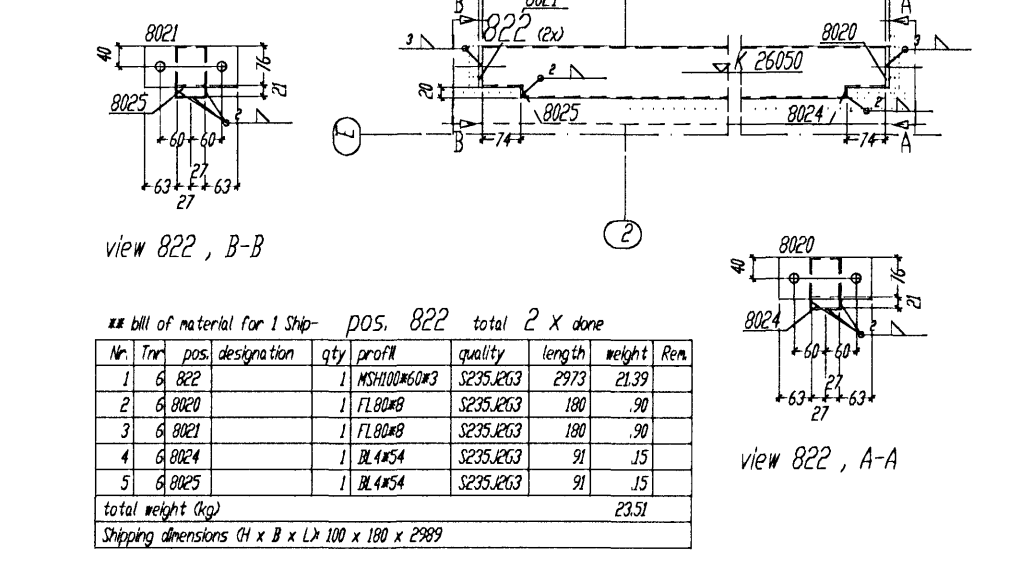
Shipping dimensions 01 x B x L x 475 x 151 x 8799



## Bill of material for 1 Shop - POS. 820 total 1 X done

Nr. poz.	pos. designation	qty	prof.	quality	length	weight	Arm.
1	6.820	1	1000000000	SP20S.2K3	3004	21.82	
2	6.821	1	1000000000	SP20S.2K3	180	2.80	
3	6.822	1	1000000000	SP20S.2K3	125	1.81	
total weight (kg)							25.53

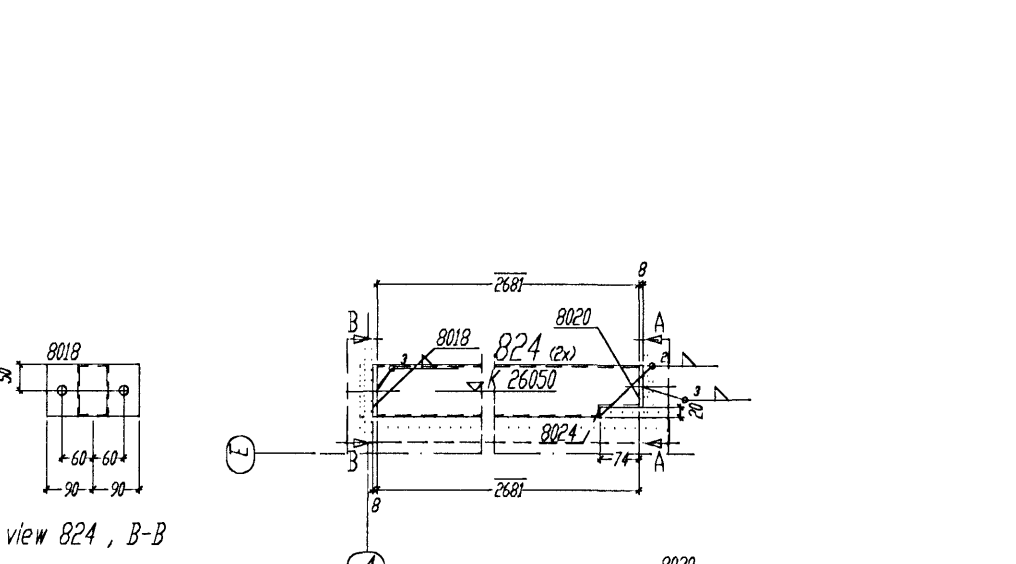
Shipping dimensions 01 x B x L x 100 x 200 x 3050



## Bill of material for 1 Shop - POS. 822 total 2 X done

Nr. poz.	pos. designation	qty	prof.	quality	length	weight	Arm.
1	6.822	1	1000000000	SP20S.2K3	2970	21.59	
2	6.823	1	1000000000	SP20S.2K3	180	2.80	
3	6.824	1	1000000000	SP20S.2K3	125	1.81	
4	6.825	1	1000000000	SP20S.2K3	91	1.25	
5	6.826	1	1000000000	SP20S.2K3	91	1.25	
total weight (kg)							25.53

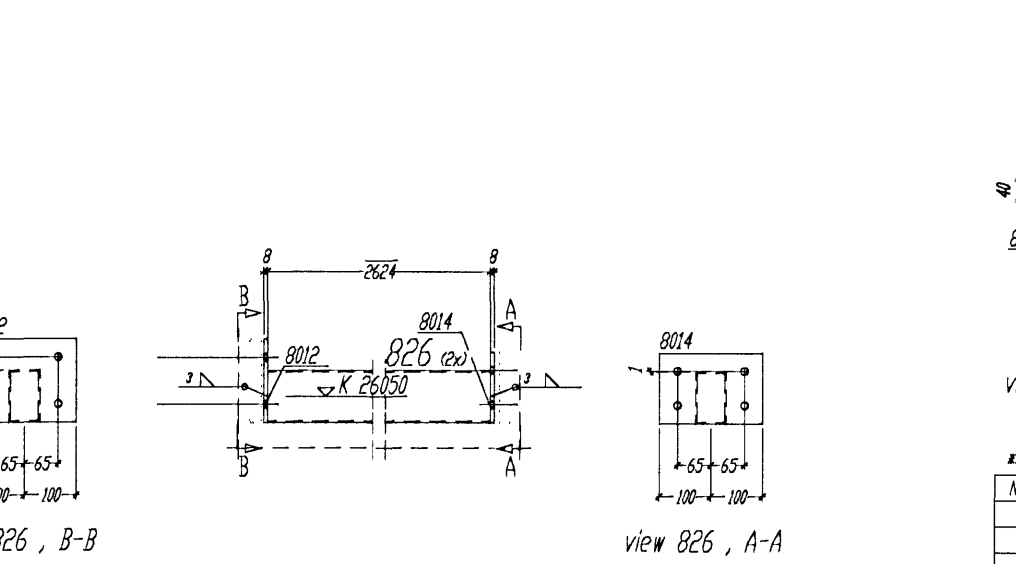
Shipping dimensions 01 x B x L x 100 x 100 x 2989



## Bill of material for 1 Shop - POS. 824 total 2 X done

Nr. poz.	pos. designation	qty	prof.	quality	length	weight	Arm.
1	6.824	1	1000000000	SP20S.2K3	2660	19.08	
2	6.825	1	1000000000	SP20S.2K3	180	1.13	
3	6.826	1	1000000000	SP20S.2K3	180	1.13	
4	6.827	1	1000000000	SP20S.2K3	91	1.25	
total weight (kg)							22.41

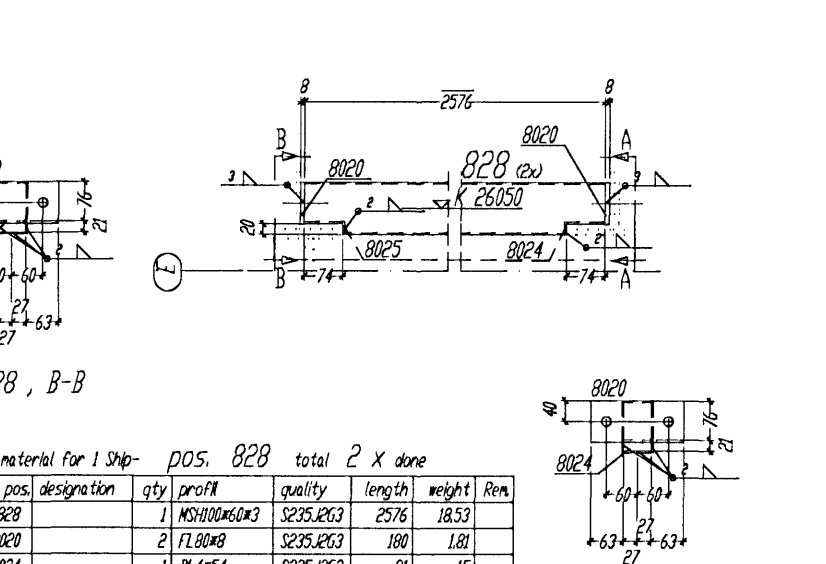
Shipping dimensions 01 x B x L x 100 x 100 x 2657



## Bill of material for 1 Shop - POS. 826 total 2 X done

Nr. poz.	pos. designation	qty	prof.	quality	length	weight	Arm.
1	6.826	1	1000000000	SP20S.2K3	2624	18.87	
2	6.827	1	1000000000	SP20S.2K3	180	1.13	
3	6.828	1	1000000000	SP20S.2K3	125	1.79	
4	6.829	1	1000000000	SP20S.2K3	91	1.25	
total weight (kg)							22.50

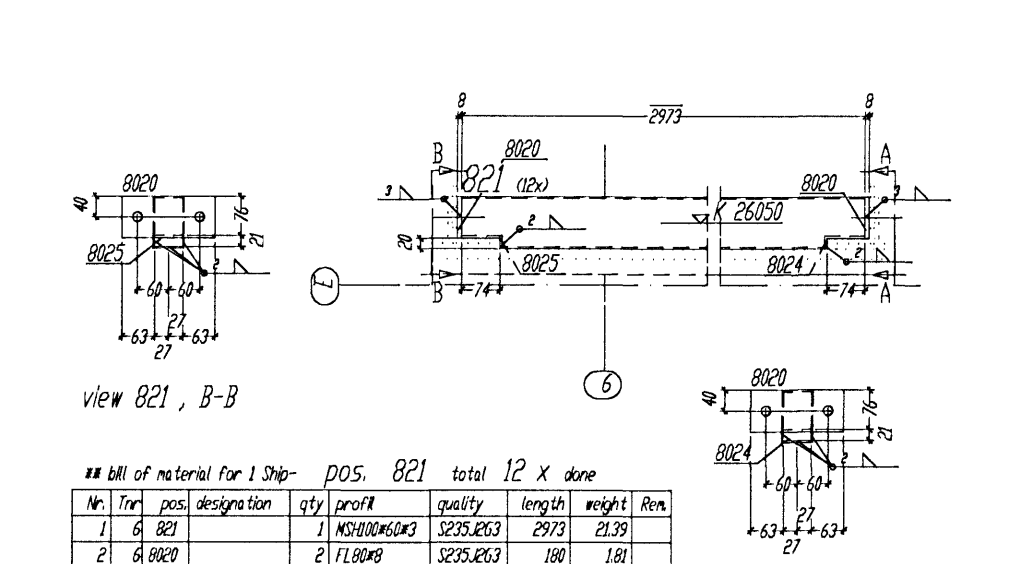
Shipping dimensions 01 x B x L x 100 x 200 x 2640



## Bill of material for 1 Shop - POS. 828 total 2 X done

Nr. poz.	pos. designation	qty	prof.	quality	length	weight	Arm.
1	6.828	1	1000000000	SP20S.2K3	2576	18.53	
2	6.829	2	1000000000	SP20S.2K3	180	1.13	
3	6.830	1	1000000000	SP20S.2K3	125	1.79	
4	6.831	1	1000000000	SP20S.2K3	91	1.25	
total weight (kg)							20.55

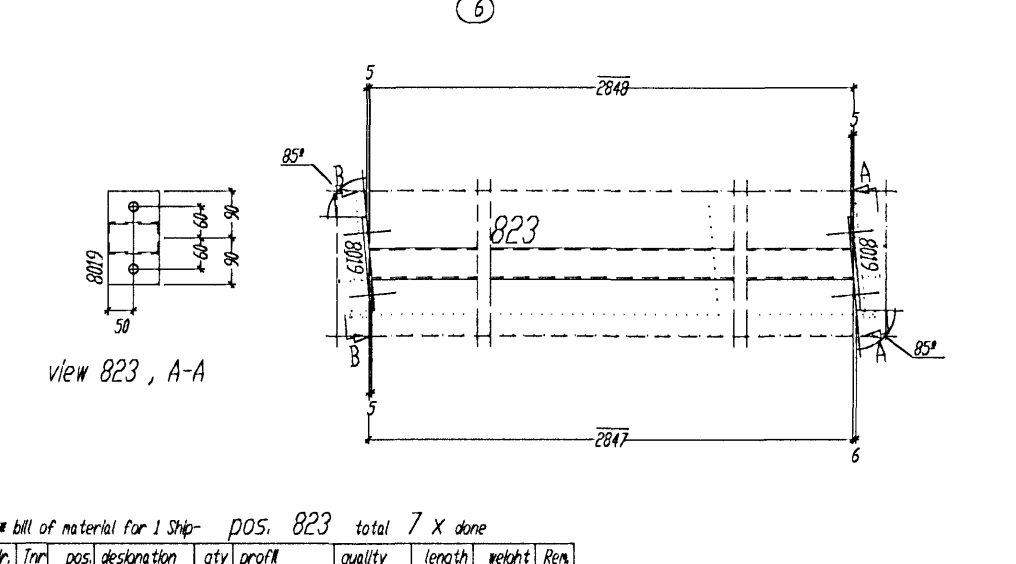
Shipping dimensions 01 x B x L x 100 x 100 x 2592



## Bill of material for 1 Shop - POS. 821 total 12 X done

Nr. poz.	pos. designation	qty	prof.	quality	length	weight	Arm.
1	6.821	1	1000000000	SP20S.2K3	2970	21.59	
2	6.822	2	1000000000	SP20S.2K3	180	1.13	
3	6.823	1	1000000000	SP20S.2K3	125	1.81	
4	6.824	1	1000000000	SP20S.2K3	91	1.25	
5	6.825	1	1000000000	SP20S.2K3	91	1.25	
total weight (kg)							25.53

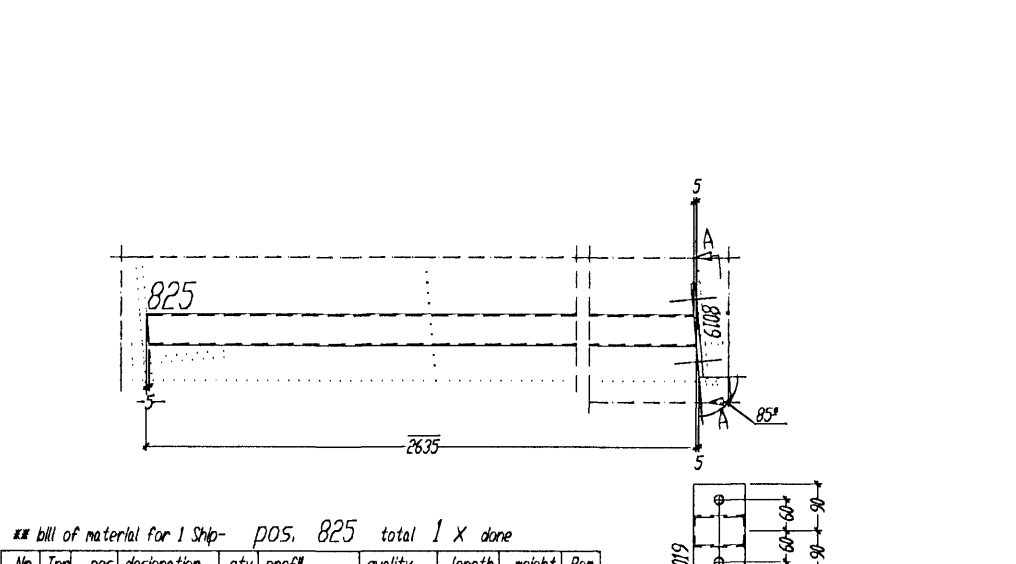
Shipping dimensions 01 x B x L x 100 x 100 x 2989



## Bill of material for 1 Shop - POS. 823 total 7 X done

Nr. poz.	pos. designation	qty	prof.	quality	length	weight	Arm.
1	6.823	1	1000000000	SP20S.2K3	2847	20.48	
2	6.824	1	1000000000	SP20S.2K3	180	1.13	
3	6.825	2	1000000000	SP20S.2K3	125	1.81	
4	6.826	1	1000000000	SP20S.2K3	91	1.25	
total weight (kg)							22.74

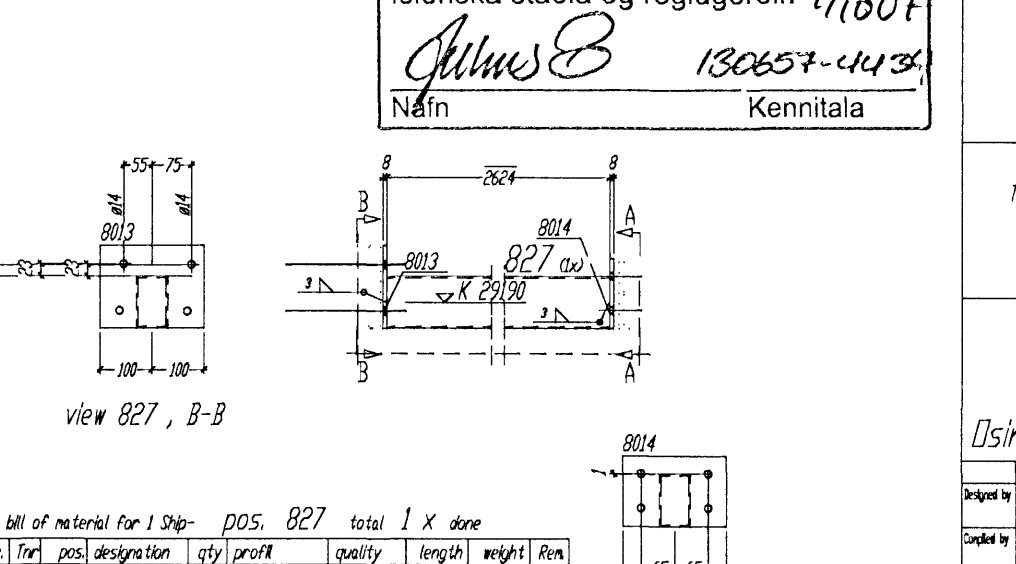
Shipping dimensions 01 x B x L x 100 x 100 x 2874



## Bill of material for 1 Shop - POS. 825 total 1 X done

Nr. poz.	pos. designation	qty	prof.	quality	length	weight	Arm.
1	6.825	1	1000000000	SP20S.2K3	2624	18.87	
2	6.826	1	1000000000	SP20S.2K3	180	1.13	
3	6.827	1	1000000000	SP20S.2K3	125	1.79	
total weight (kg)							21.79

Shipping dimensions 01 x B x L x 100 x 200 x 2640



## Bill of material for 1 Shop - POS. 827 total 1 X done

Nr. poz.	pos. designation	qty	prof.	quality	length	weight	Arm.
1	6.827	1	1000000000	SP20S.2K3	2624	18.87	
2	6.828	1	1000000000	SP20S.2K3	180	1.13	
3	6.829	1	1000000000	SP20S.2K3	125	1.79	
total weight (kg)							21.79

Shipping dimensions 01 x B x L x 100 x 200 x 2640

Fyrir hönd Conis ehf. kt. 600105-1400  
 staðfestist að teikning þessi hefur verið  
 yfirfærin. Teikningin er í samræmi við  
 íslenska stöðla og reglugerðir. 4/1007  
 Almás 130657-41034  
 Nafn Kennitala

Tolerance for welded constructions  
 According to DIN 6870, Pt.1+2+3+4,10,87  
 Welding (W.P.S.) according to  
 DIN-EN 288 - 2  
 All unmarked welds to be filled  
 continuous action thick,  
 not greater than 0.7 d  
 of the thinner element  
 The material for cap plates 20 mm thick  
 to be examined for laminations

**BIURO INZYNIERSKIE**  
 Marek i Janina MUCHA  
 Długo, ul. Polska 30a, 46-070 Komprachcice tel.077-46 46 757

Main Pos. 806-808, 820-828  
 TARNARVELLIR 11  
 DRG 503