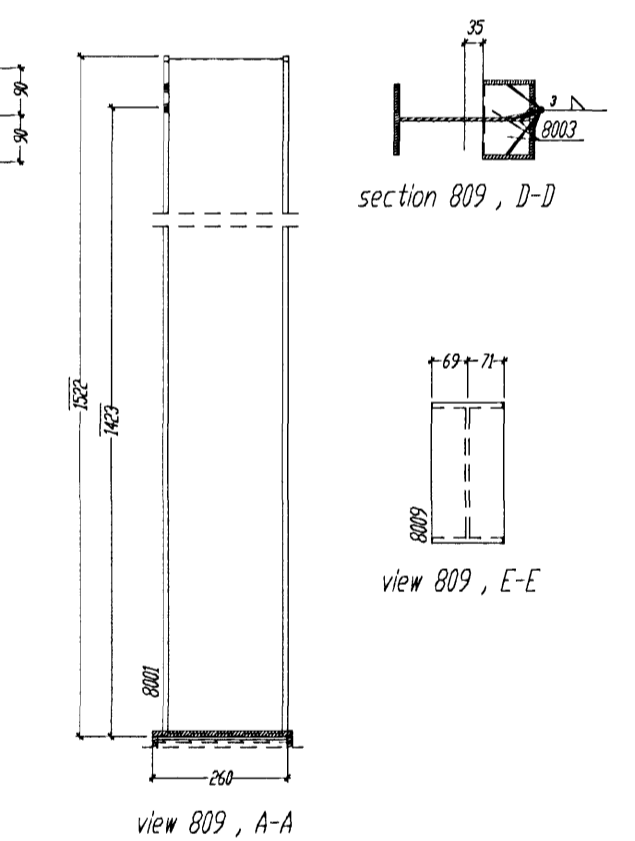


view 809, F-F view 809, C-C view 809, B-B section 809, D-D

## Bill of material for 1 Ship- POS. 809 total 1 X done

Nr	Pos.	Designation	Qty	Profile	Quality	Length	Weight	Dim.	
1	8 809	1 IPE270	2	SP25,830	6000	249.46			
2	8 809	1 IPE240	2	SP25,830	2000	46.70			
3	8 809	1 M20x100x40	64	SP25,830	64	36			
4	8 809	1 R10x20	140	SP25,830	140	3.55			
5	8 809	1 R10x20	120	SP25,830	120	3.43			
6	8 809	1 FL10x40	180	SP25,830	180	2.26			
total weight (kg)							306.97		

Shipping dimensions 01 x B x L x 270 x 151 x 8144

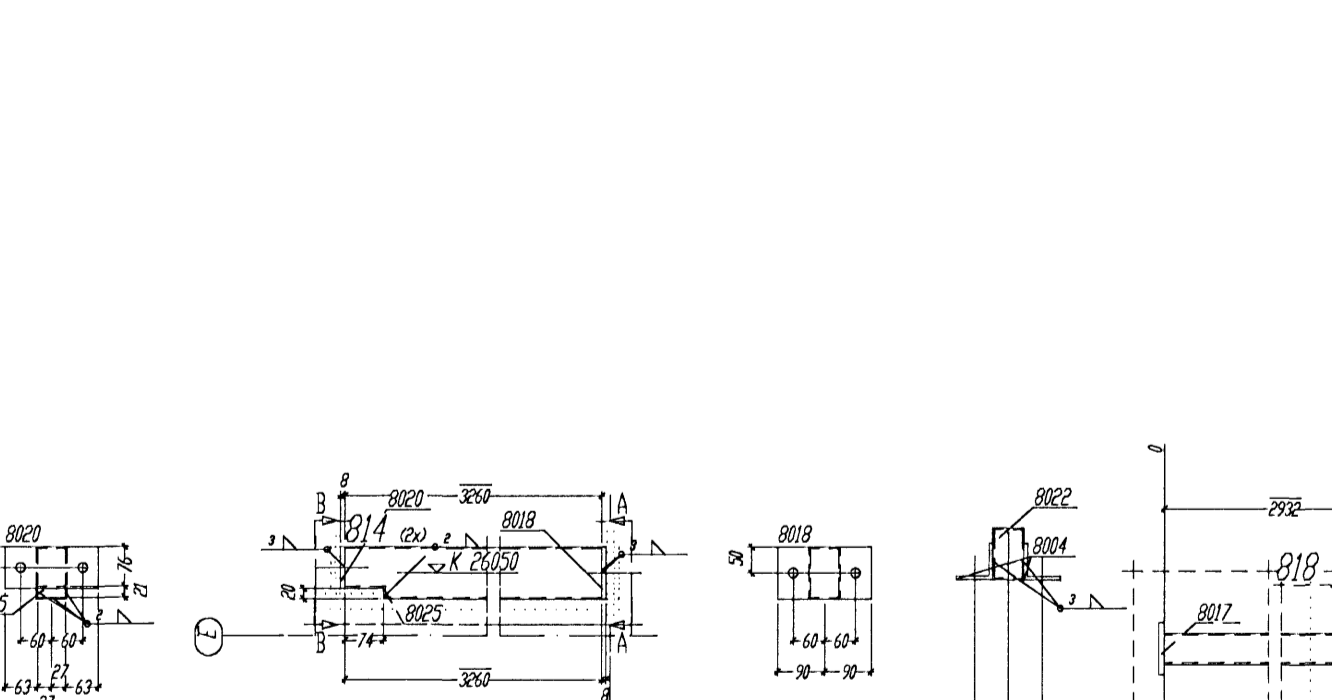


view 810, F-F view 810, C-C view 810, B-B section 810, D-D

## Bill of material for 1 Ship- POS. 810 total 1 X done

Nr	Pos.	Designation	Qty	Profile	Quality	Length	Weight	Dim.	
1	8 810	1 IPE270	2	SP25,830	6045	259.90			
2	8 810	1 IPE240	2	SP25,830	2000	46.70			
3	8 810	1 M20x100x40	64	SP25,830	64	36			
4	8 810	1 R10x20	140	SP25,830	140	3.55			
5	8 810	1 R10x20	120	SP25,830	120	3.43			
6	8 810	1 FL10x40	180	SP25,830	180	2.26			
total weight (kg)							306.97		

Shipping dimensions 01 x B x L x 270 x 151 x 8179

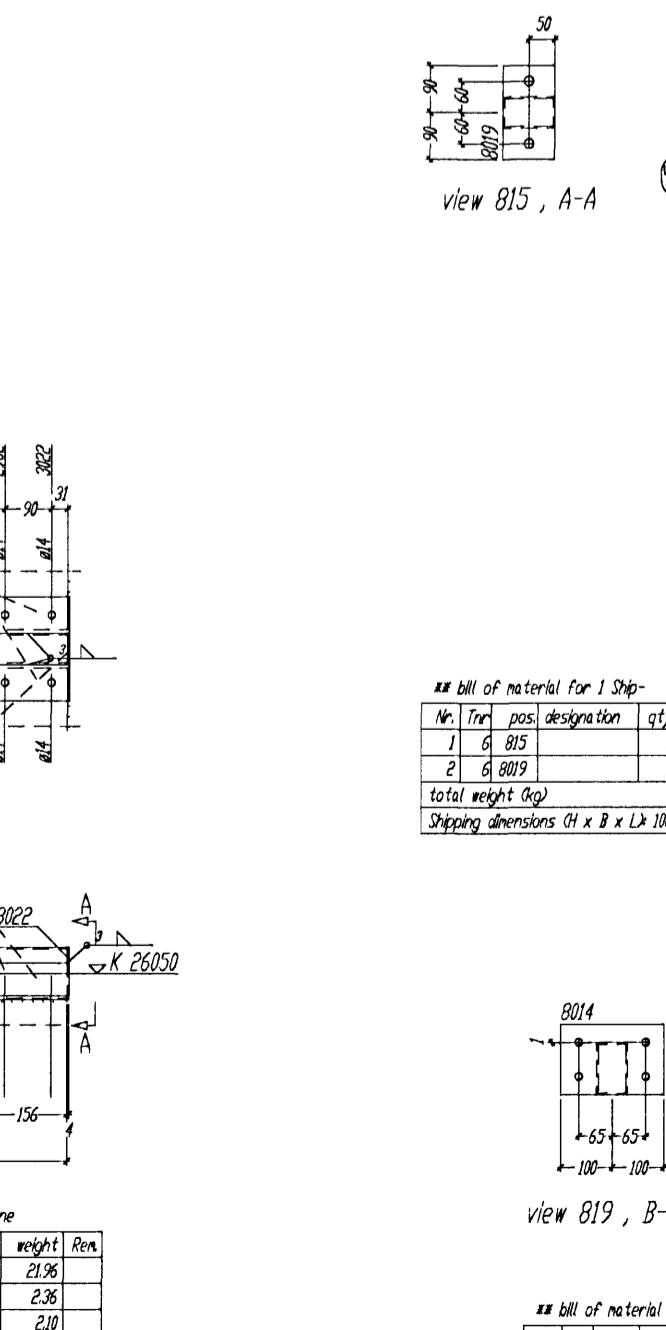


view 811, F-F view 811, C-C view 811, B-B section 811, D-D

## Bill of material for 1 Ship- POS. 811 total 1 X done

Nr	Pos.	Designation	Qty	Profile	Quality	Length	Weight	Dim.	
1	8 811	1 IPE270	2	SP25,830	6400	272.61			
2	8 811	1 IPE240	2	SP25,830	2000	46.70			
3	8 811	1 M20x100x40	64	SP25,830	64	36			
4	8 811	1 R10x20	140	SP25,830	140	3.55			
5	8 811	1 R10x20	120	SP25,830	120	3.43			
6	8 811	1 FL10x40	180	SP25,830	180	2.26			
total weight (kg)							306.97		

Shipping dimensions 01 x B x L x 270 x 147 x 7900

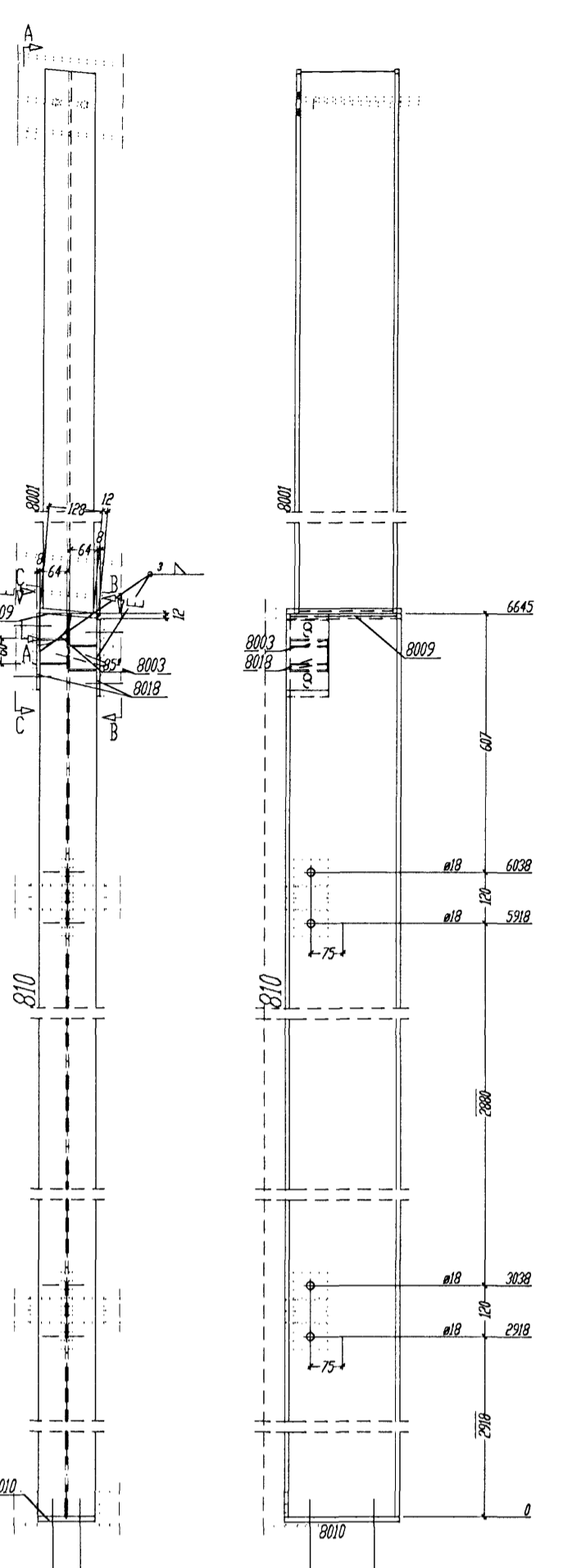


view 812, F-F view 812, C-C view 812, B-B section 812, D-D

## Bill of material for 1 Ship- POS. 812 total 1 X done

Nr	Pos.	Designation	Qty	Profile	Quality	Length	Weight	Dim.	
1	8 812	1 IPE270	2	SP25,830	6400	272.61			
2	8 812	1 IPE240	2	SP25,830	2000	46.70			
3	8 812	1 M20x100x40	64	SP25,830	64	36			
4	8 812	1 R10x20	140	SP25,830	140	3.55			
5	8 812	1 R10x20	120	SP25,830	120	3.43			
6	8 812	1 FL10x40	180	SP25,830	180	2.26			
total weight (kg)							306.97		

Shipping dimensions 01 x B x L x 270 x 147 x 7900

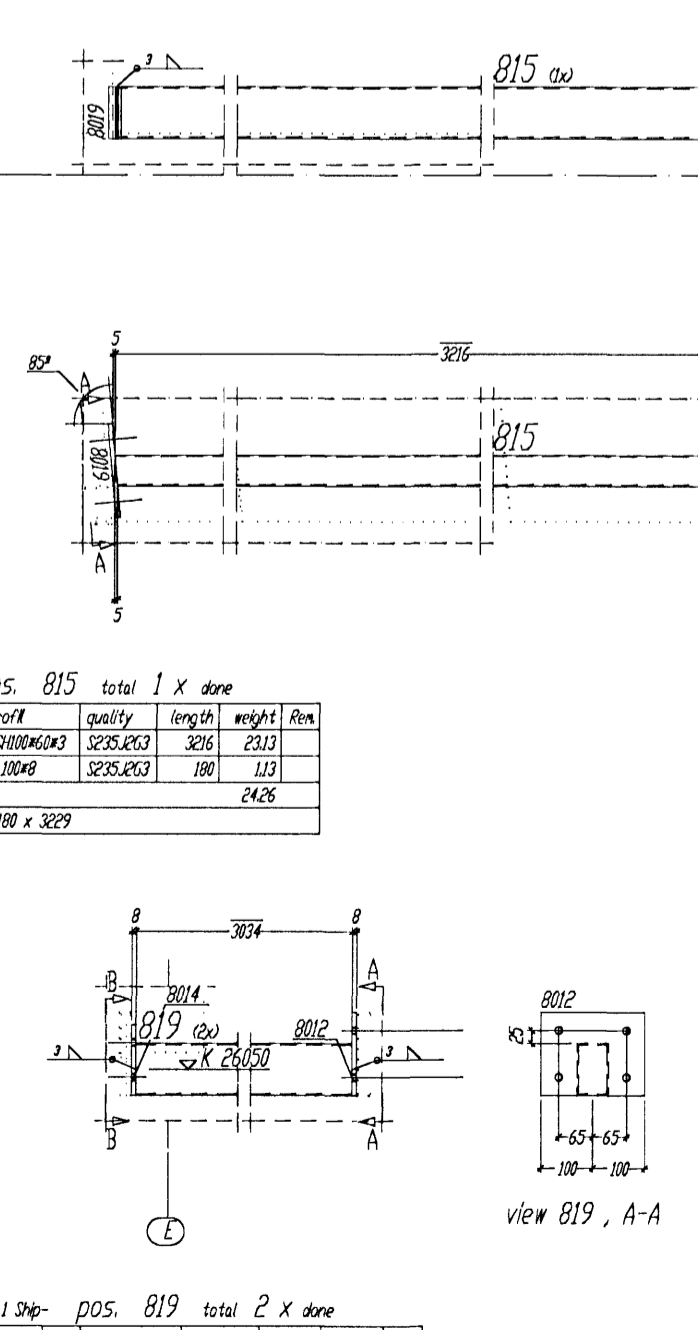


view 813, F-F view 813, C-C view 813, B-B section 813, D-D

## Bill of material for 1 Ship- POS. 813 total 1 X done

Nr	Pos.	Designation	Qty	Profile	Quality	Length	Weight	Dim.	
1	8 813	1 IPE270	2	SP25,830	6400	272.61			
2	8 813	1 IPE240	2	SP25,830	2000	46.70			
3	8 813	1 M20x100x40	64	SP25,830	64	36			
4	8 813	1 R10x20	140	SP25,830	140	3.55			
5	8 813	1 R10x20	120	SP25,830	120	3.43			
6	8 813	1 FL10x40	180	SP25,830	180	2.26			
total weight (kg)							306.97		

Shipping dimensions 01 x B x L x 270 x 151 x 8179

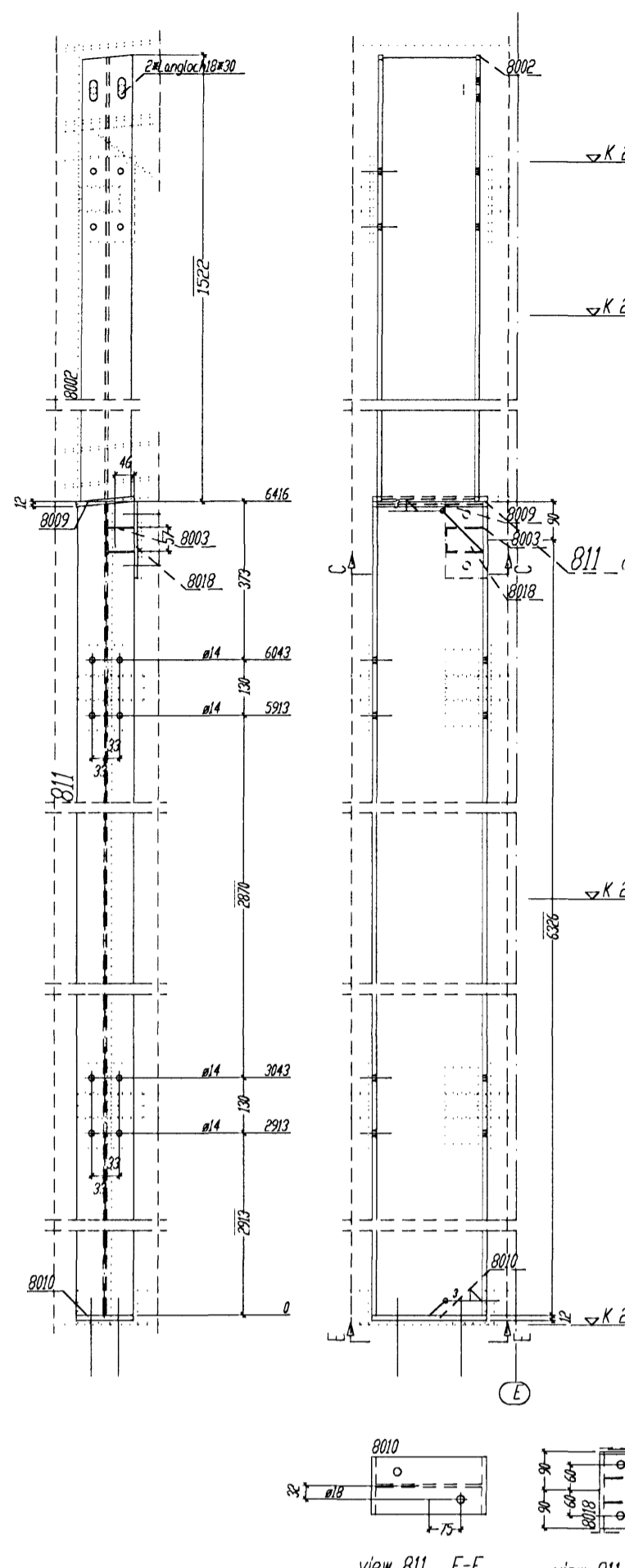


view 814, F-F view 814, C-C view 814, B-B section 814, D-D

## Bill of material for 1 Ship- POS. 814 total 2 X done

Nr	Pos.	Designation	Qty	Profile	Quality	Length	Weight	Dim.	
1	8 814	1 M20x100x40	320	SP25,830	320	23.45			
2	8 814	1 FL10x40	360	SP25,830	360	11.7			
3	8 814	1 R10x20	720	SP25,830	720	2.30			
4	8 814	1 R10x20	360	SP25,830	360	1.19			
total weight (kg)							25.33		

Shipping dimensions 01 x B x L x 100 x 100 x 3076

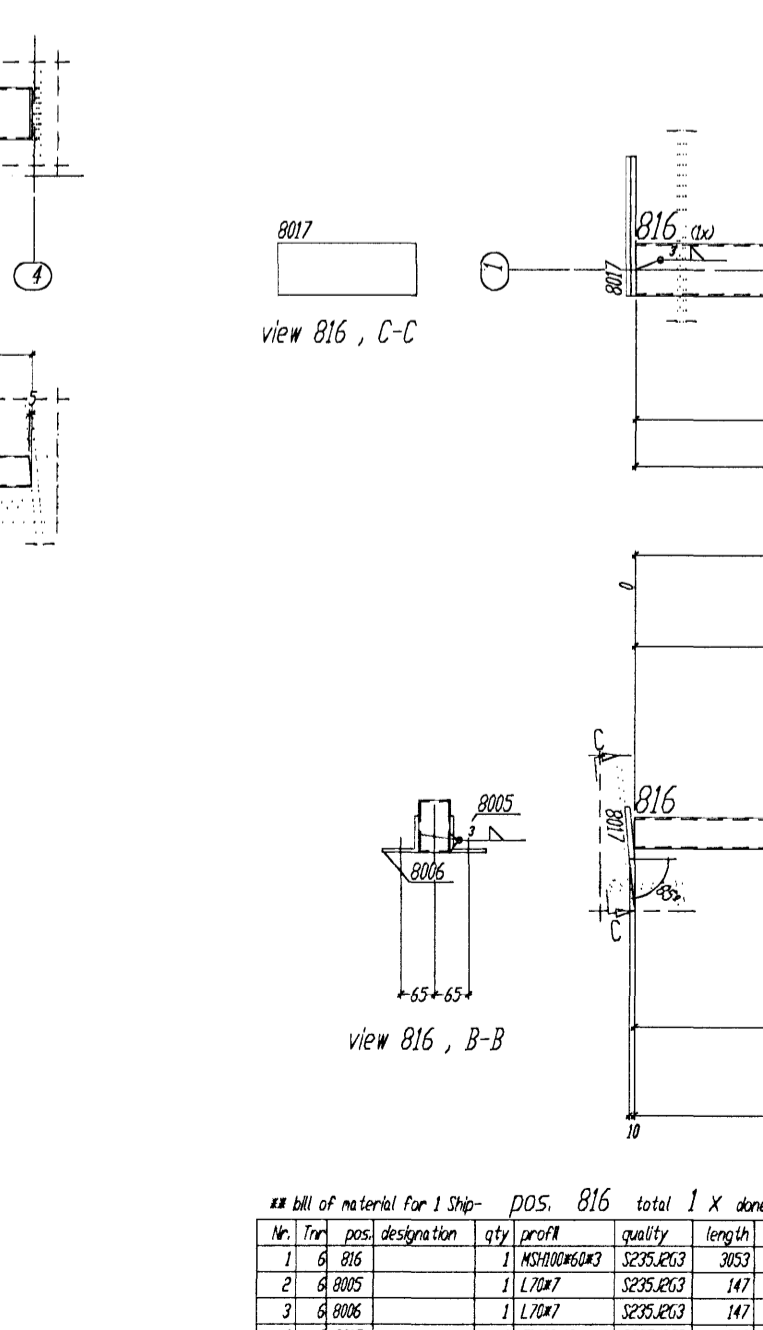


view 815, F-F view 815, C-C view 815, B-B section 815, D-D

## Bill of material for 1 Ship- POS. 815 total 1 X done

Nr	Pos.	Designation	Qty	Profile	Quality	Length	Weight	Dim.	
1	8 815	1 IPE270	2	SP25,830	3016	23.12			
2	8 815	1 FL10x40	180	SP25,830	180	1.13			
total weight (kg)							24.99		

Shipping dimensions 01 x B x L x 100 x 100 x 3029

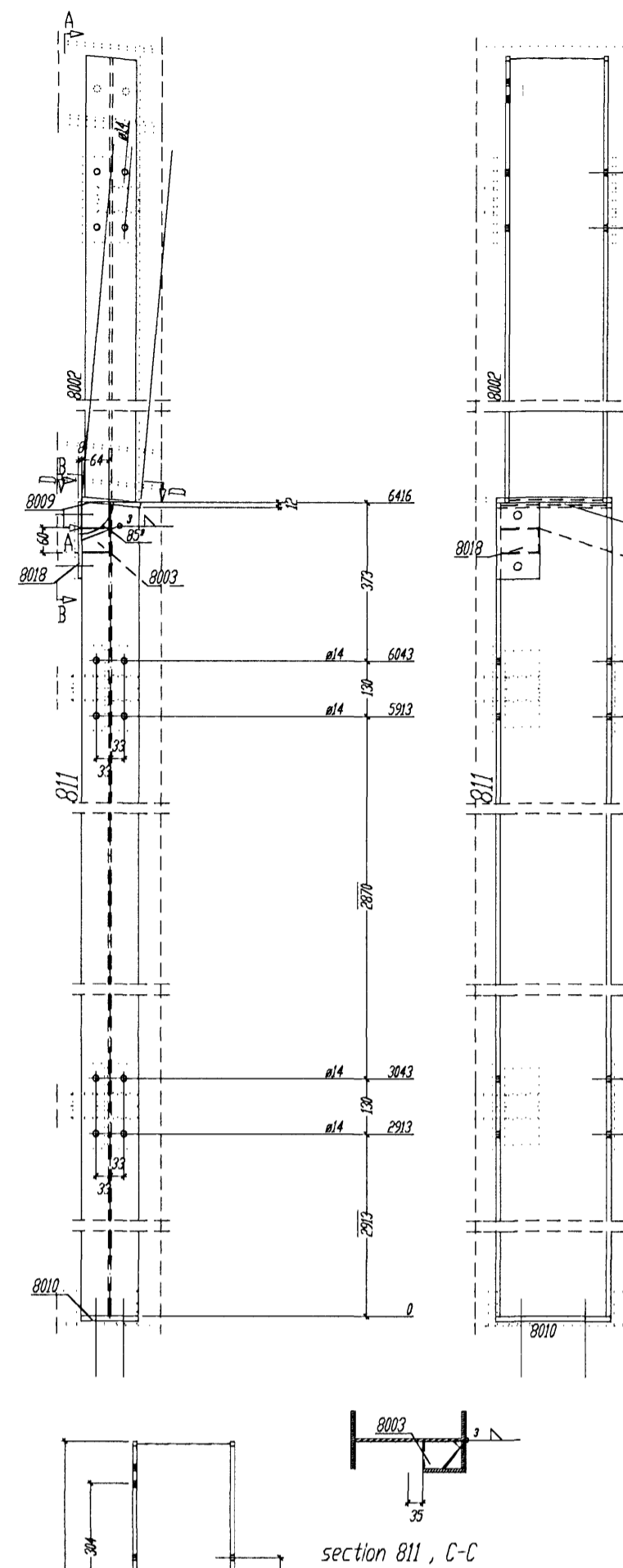


view 816, F-F view 816, C-C view 816, B-B section 816, D-D

## Bill of material for 1 Ship- POS. 816 total 2 X done

Nr	Pos.	Designation	Qty	Profile	Quality	Length	Weight	Dim.	
1	8 816	1 M20x100x40	360	SP25,830	360	23.45			
2	8 816	1 FL10x40	420	SP25,830	420	1.88			
3	8 816	1 R10x20	840	SP25,830	840	2.01			
4	8 816	1 R10x20	420	SP25,830	420	1.01			
5	8 816	1 R10x20	180	SP25,830	180	0.91			
total weight (kg)							28.41		

Shipping dimensions 01 x B x L x 267 x 200 x 3082

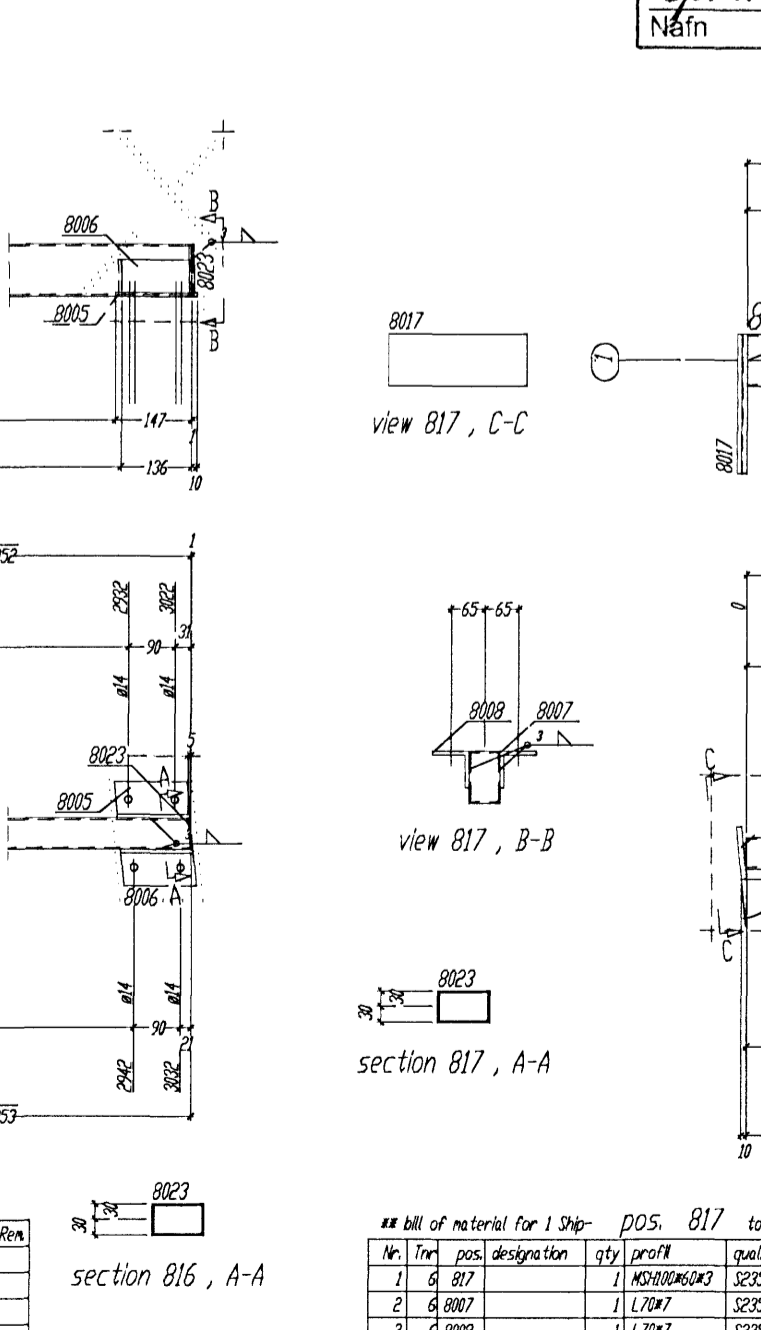


view 817, F-F view 817, C-C view 817, B-B section 817, D-D

## Bill of material for 1 Ship- POS. 817 total 1 X done

Nr	Pos.	Designation	Qty	Profile	Quality	Length	Weight	Dim.	
1	8 817	1 M20x100x40	360	SP25,830	360	23.45			
2	8 817	1 FL10x40	420	SP25,830	420	1.88			
3	8 817	1 R10x20	840	SP25,830	840	2.01			
4	8 817	1 R10x20	420	SP25,830	420	1.01			
5	8 817	1 R10x20	180	SP25,830	180	0.91			
total weight (kg)							28.41		

Shipping dimensions 01 x B x L x 267 x 200 x 3082

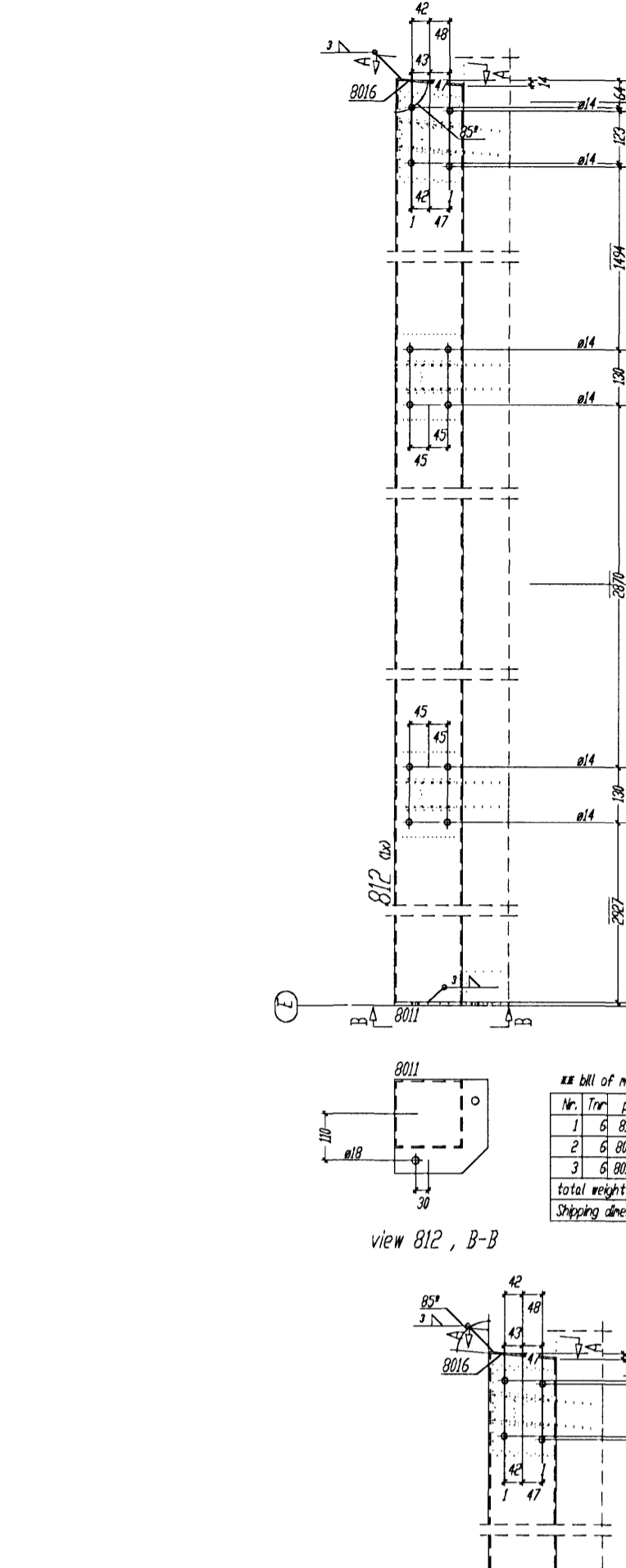


view 818, F-F view 818, C-C view 818, B-B section 818, D-D

## Bill of material for 1 Ship- POS. 818 total 4 X done

Nr	Pos.	Designation	Qty	Profile	Quality	Length	Weight	Dim.	
1	8 818	1 M20x100x40	1440	SP25,830	1440	23.45			
2	8 818	1 FL10x40	1680	SP25,830	1680	1.88			
3	8 818	1 R10x20	3360	SP25,830	3360	2.01			
4	8 818	1 R10x20	1680	SP25,830	1680	1.01			
total weight (kg)							26.41		

Shipping dimensions 01 x B x L x 267 x 200 x 3082

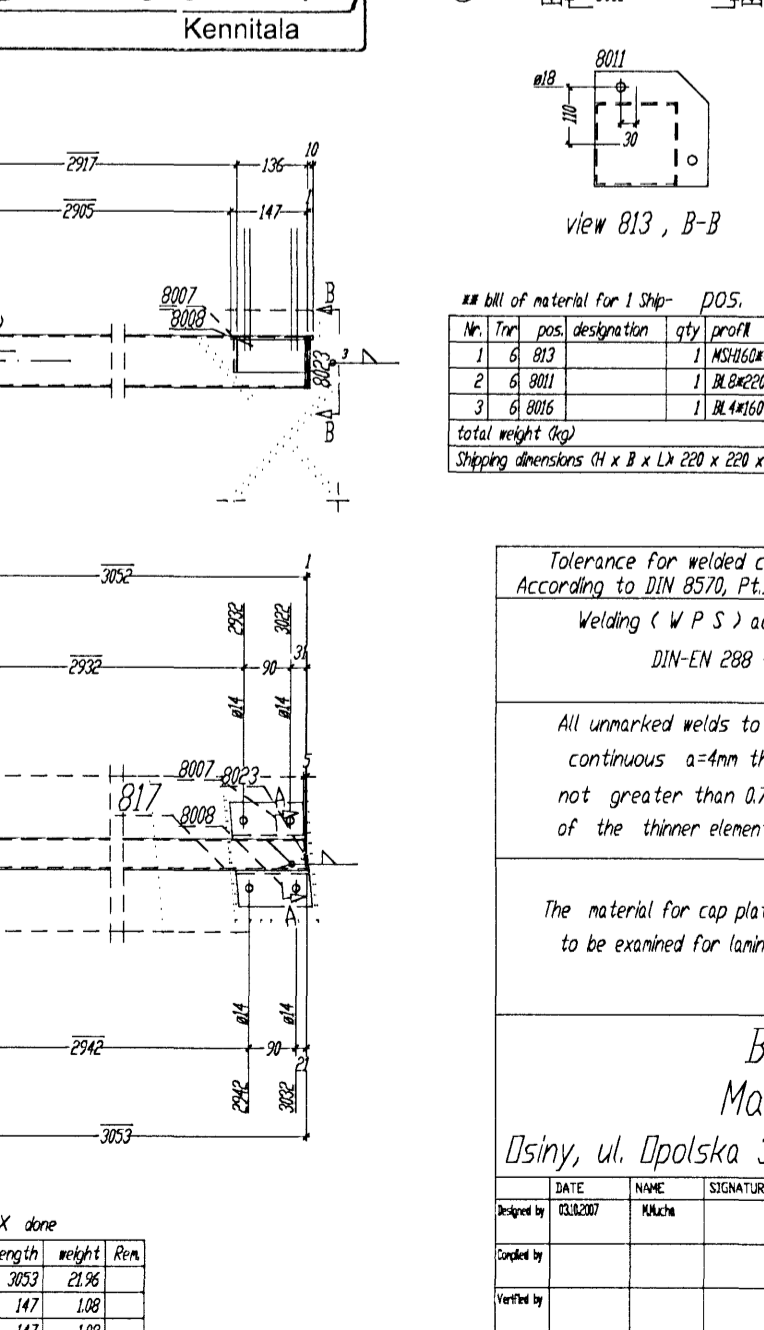


view 819, F-F view 819, C-C view 819, B-B section 819, D-D

## Bill of material for 1 Ship- POS. 819 total 2 X done

Nr	Pos.	Designation	Qty	Profile	Quality	Length	Weight	Dim.	
1	8 819	1 M20x100x40	360	SP25,830	360	23.45			
2	8 819	1 FL10x40	420	SP25,830	420	1.88			
3	8 819	1 R10x20	840	SP25,830	840	2.01			
4	8 819	1 R10x20	420	SP25,830	420	1.01			
total weight (kg)							28.41		

Shipping dimensions 01 x B x L x 267 x 200 x 3082

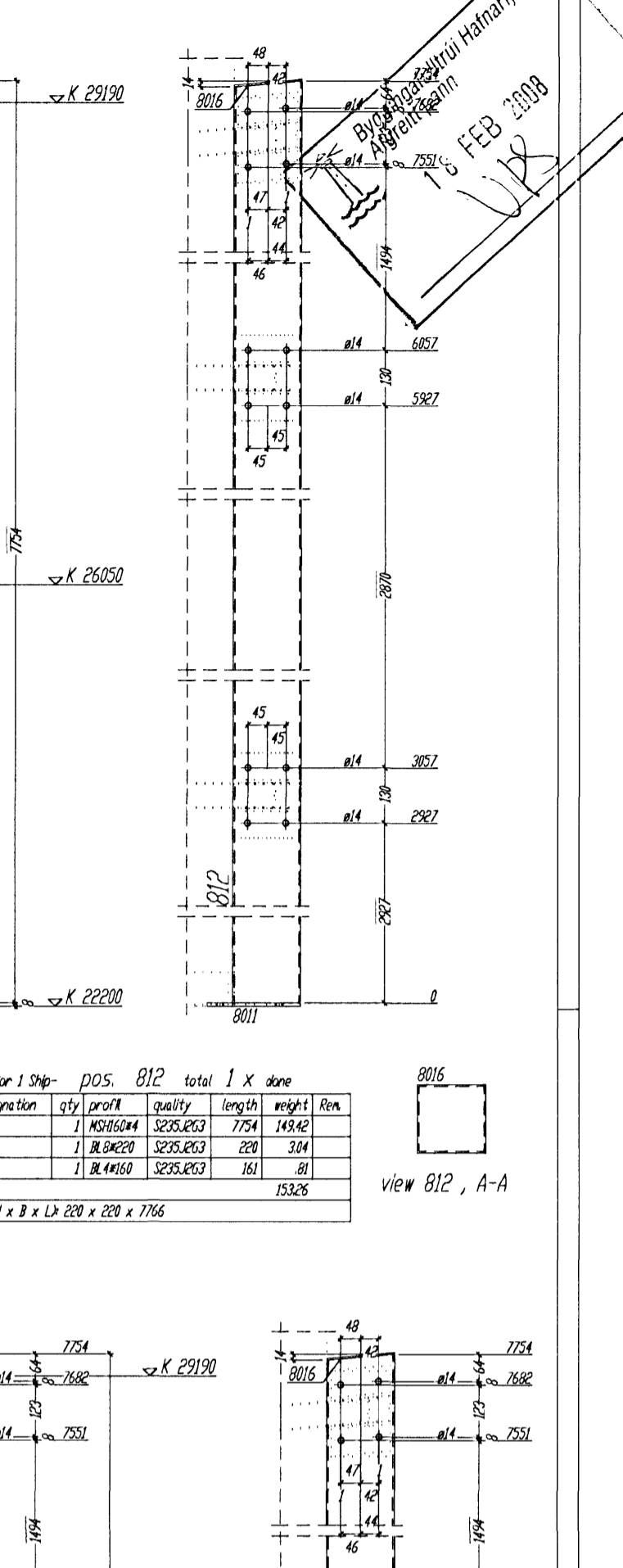


view 820, F-F view 820, C-C view 820, B-B section 820, D-D

## Bill of material for 1 Ship- POS. 820 total 1 X done

Nr	Pos.	Designation	Qty	Profile	Quality	Length	Weight	Dim.	
1	8 820	1 M20x100x40	360	SP25,830	360	23.45			
2	8 820	1 FL10x40	420	SP25,830	420	1.88			
3	8 820	1 R10x20	840	SP25,830	840	2.01			
4	8 820	1 R10x20	420	SP25,830	420	1.01			
total weight (kg)							28.41		

Shipping dimensions 01 x B x L x 267 x 200 x 3082

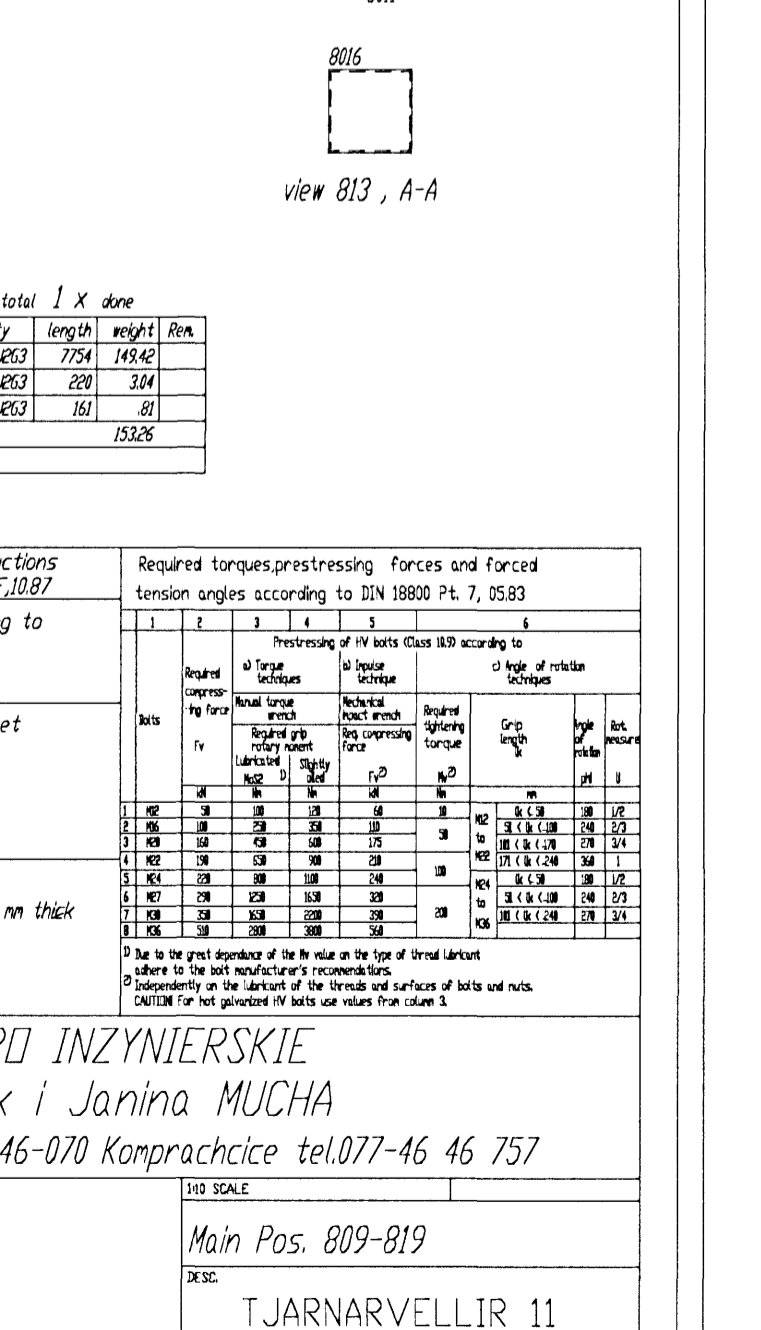


view 821, F-F view 821, C-C view 821, B-B section 821, D-D

## Bill of material for 1 Ship- POS. 821 total 1 X done

Nr	Pos.	Designation	Qty	Profile	Quality	Length	Weight	Dim.	
1	8 821	1 M20x100x40	360	SP25,830	360	23.45			
2	8 821	1 FL10x40	420	SP25,830	420	1.88			
3	8 821	1 R10x20	840	SP25,830	840	2.01			
4	8 821	1 R10x20	420	SP25,830	420	1.01			
total weight (kg)							28.41		

Shipping dimensions 01 x B x L x 267 x 200 x 3082



view 822, F-F view 822, C-C view 822, B-B section 822, D-D

## Bill of material for 1 Ship- POS. 822 total 1 X done

Nr	Pos.	Designation	Qty	Profile	Quality	Length	Weight	Dim.	
1	8 822	1 M20x100x40	360	SP25,830	360	23.45			
2	8 822	1 FL10x40	420	SP25,830	420	1.88			
3	8 822	1 R10x20	840	SP25,830	840	2.01			
4	8 822	1 R10x20	420	SP25,830	420	1.01			
total weight (kg)							28.41		

Shipping dimensions 01 x B x L x 267 x 200 x 3082

PROJEKTOWALNIA HARMATIA  
13 FEB 2008

Fyrir hönd Conis ehf, kt. 600105-1400  
staðfestist að teikning þessi hefur verið  
yfirlit. Teikningin er í samræmi við  
íslenska stöðla og reglugerðir. 1/1007  
Almas 130657-44135  
Kennitala

Tolerance for welded constructions  
According to DIN 950, 2413/2417/1037  
Welding (W.P.) according to  
DIN-EN 208 - 2

Required torques, prestressing forces and forced  
tension angles according to DIN 18850 Pt. 7, 05.83

All unwelded welds to be fillet  
continuous a-fan thick,  
not greater than 0.7 d  
of the thicker element

The material for cap plates 120 mm thick  
to be examined for laminations

BIURO INŻYNIERSKIE  
Marek i Janina MUCHA  
[Szyn, ul. Polska 30a, 46-070 Konopnica tel.077-46 46 757

Main Pos. 809-819  
TJARNARVELLIR 11  
DRG 504