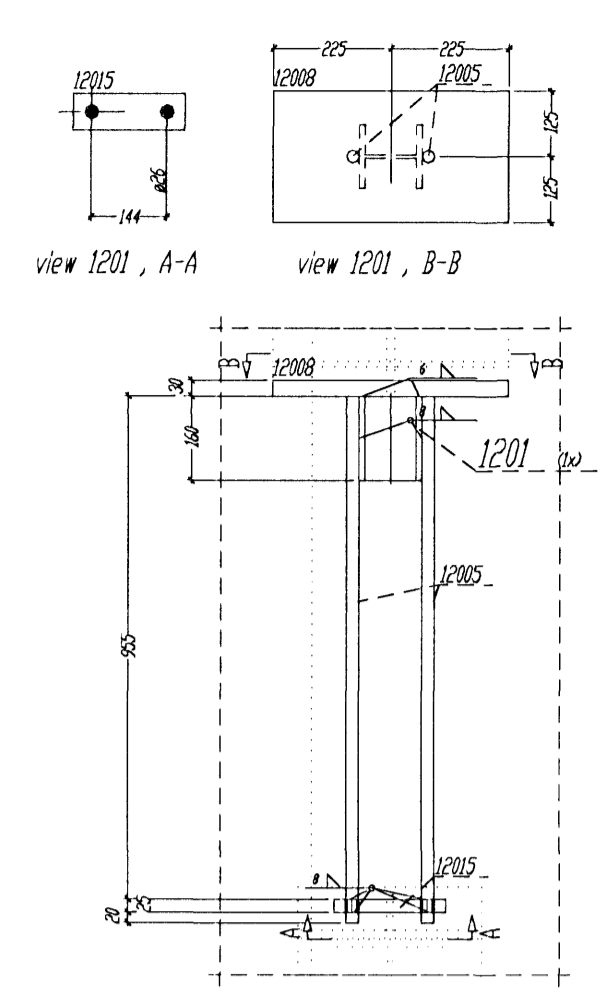
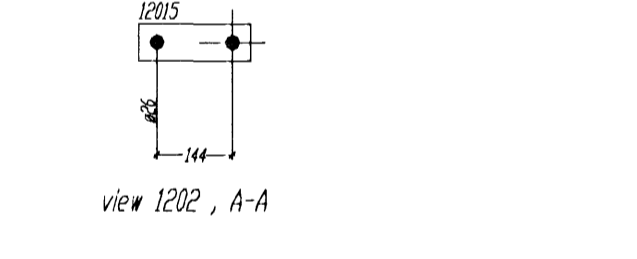
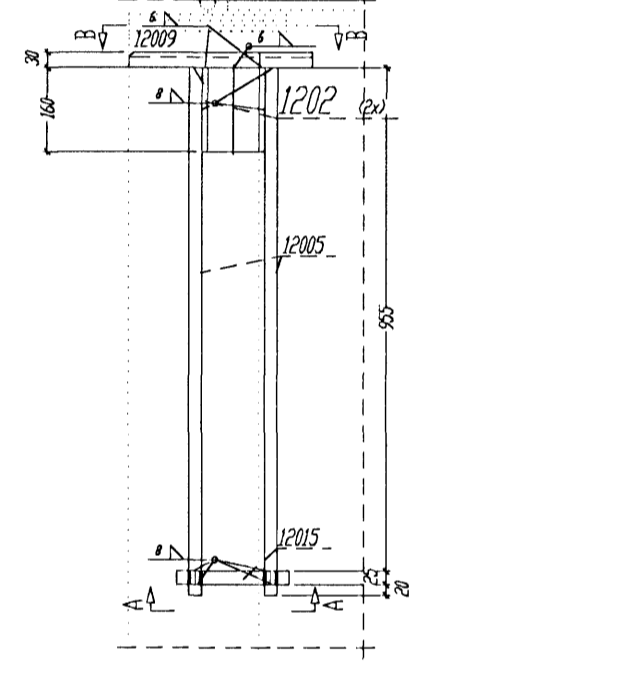
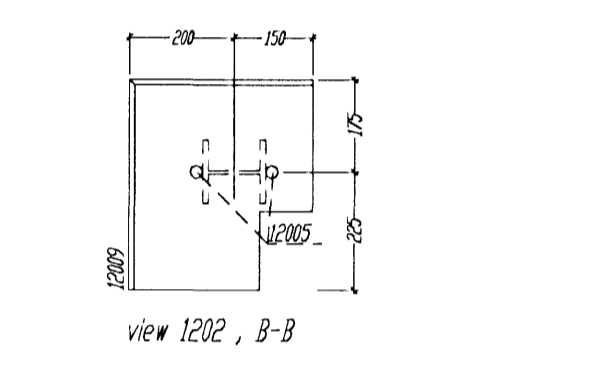


Byggingarfræðingur
Alfgrímur Þinn
18 FEB 2008



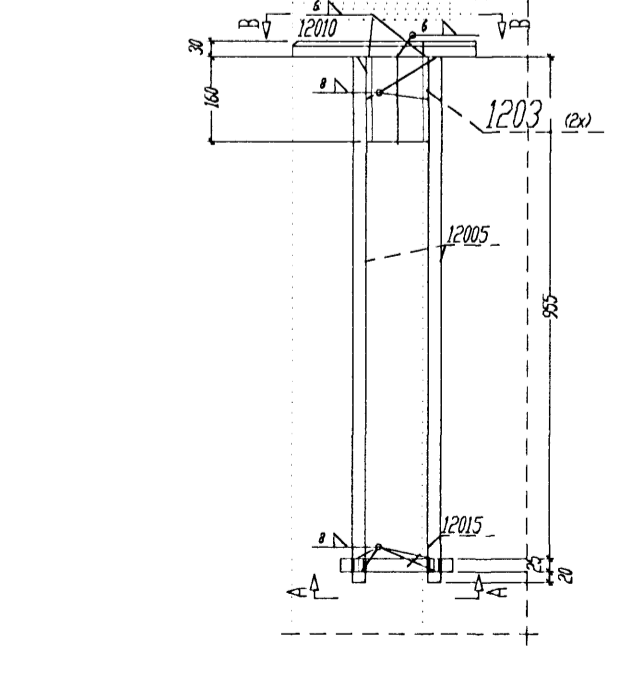
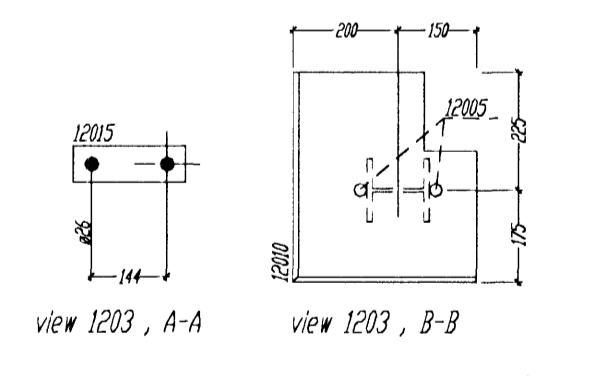
Bill of material for 1 Ship- POS. 1201 total 1 X done

Nr	Pos	Designation	Qty	Profile	Quality	Length	Weight	Dim
1	1201	1 HE300	1	HE300	S235JR	160	427	
2	1205	2 RUND24	2	RUND24	S355J2G3	1000	710	
3	1208	1 RUND24	1	RUND24	S355J2G3	250	1849	
4	1205	1 FL70x25	1	FL70x25	S355J2G3	254	234	
Total weight (kg)							1600	
Shipping dimensions (l x b x h) x L x B x H x 1000								



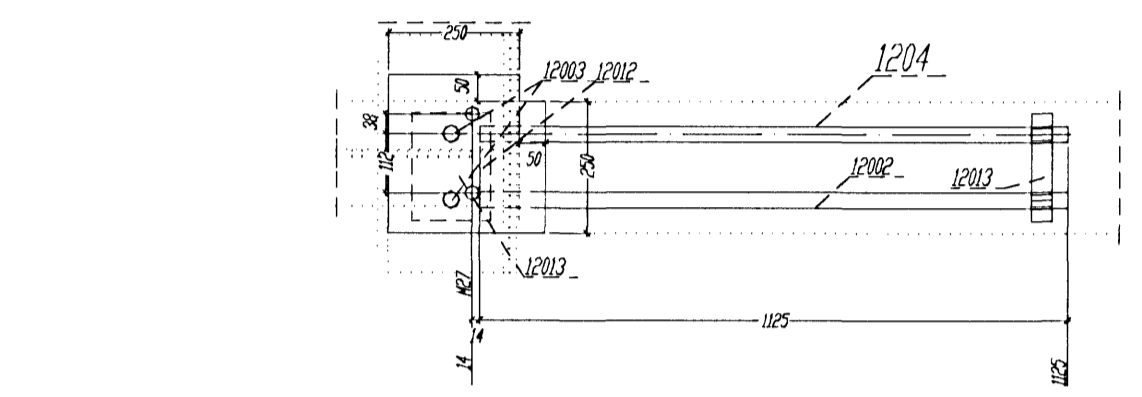
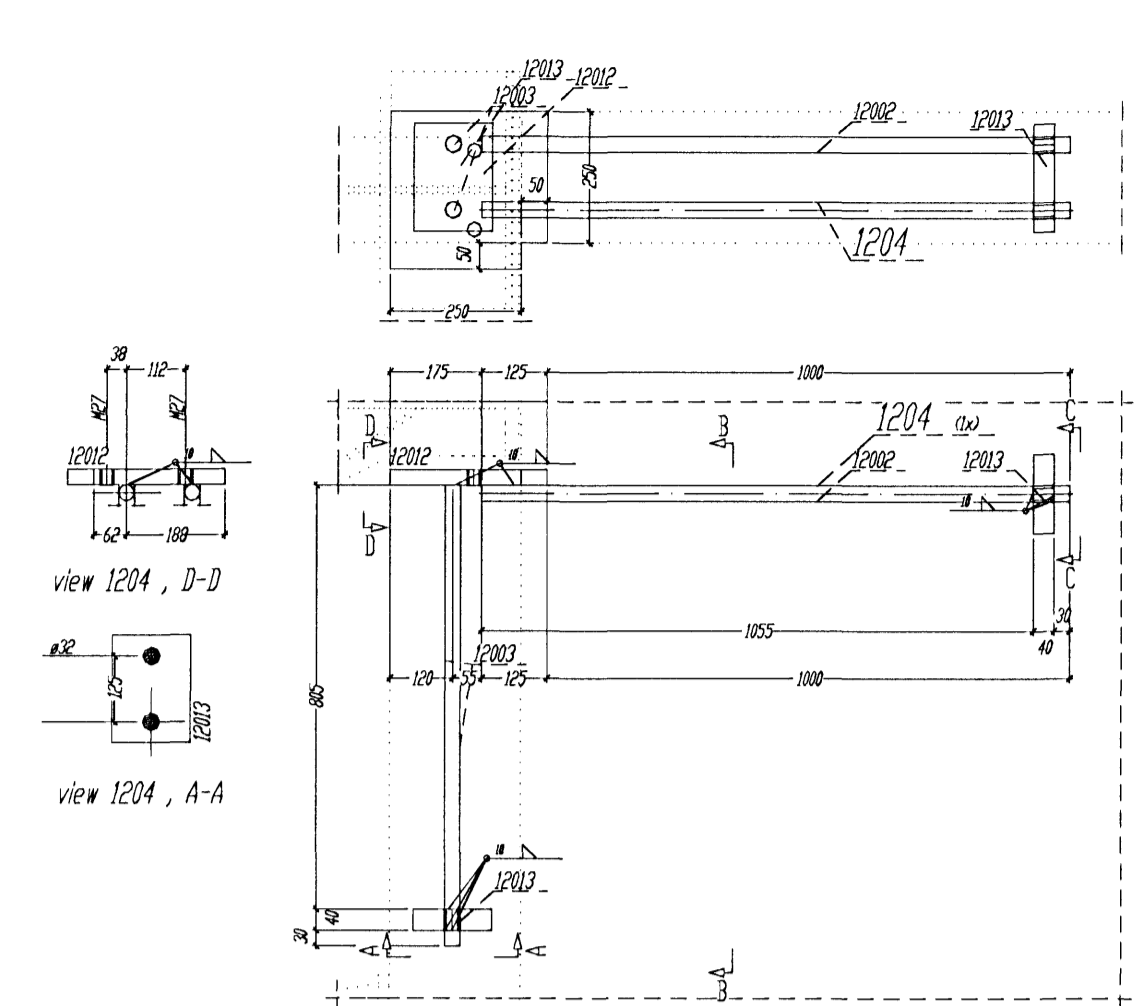
Bill of material for 1 Ship- POS. 1202 total 2 X done

Nr	Pos	Designation	Qty	Profile	Quality	Length	Weight	Dim
1	1202	1 HE300	1	HE300	S235JR	160	427	
2	1205	2 RUND24	2	RUND24	S355J2G3	1000	710	
3	1208	1 RUND24	1	RUND24	S355J2G3	250	1849	
4	1205	1 FL70x25	1	FL70x25	S355J2G3	254	234	
Total weight (kg)							1600	
Shipping dimensions (l x b x h) x L x B x H x 1000								



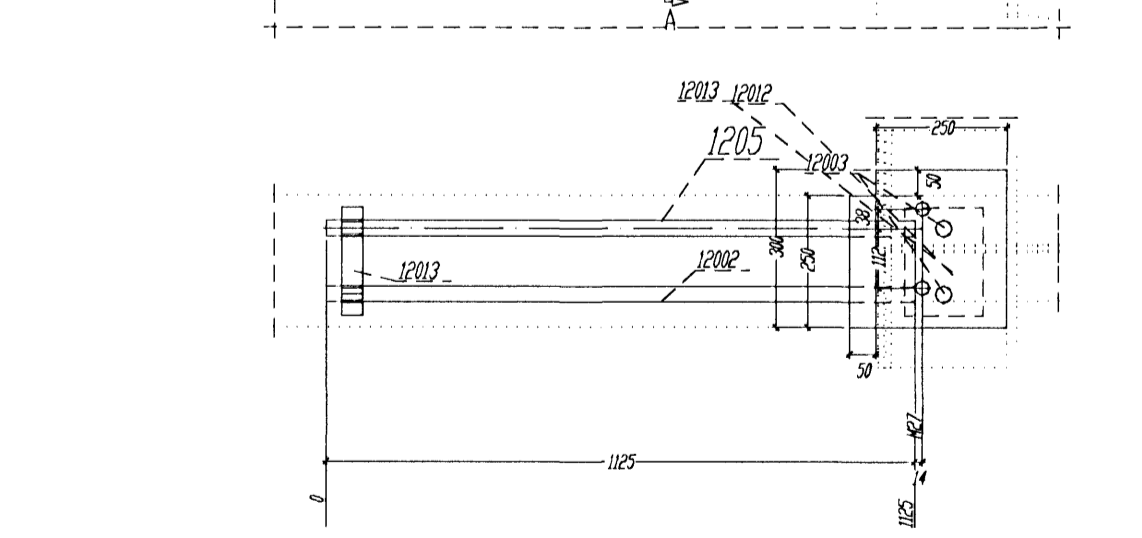
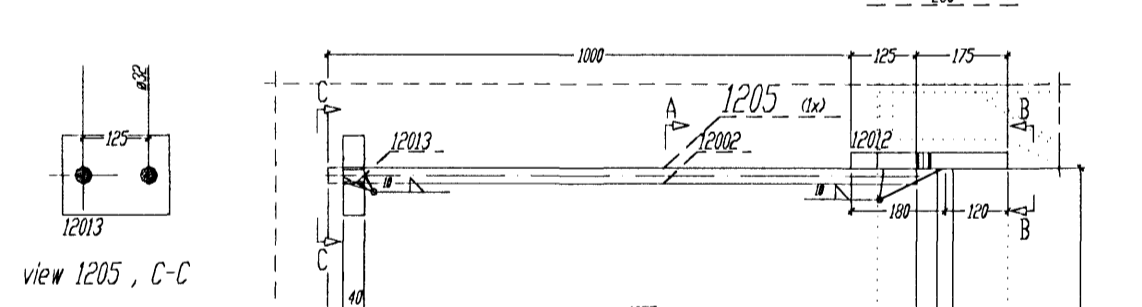
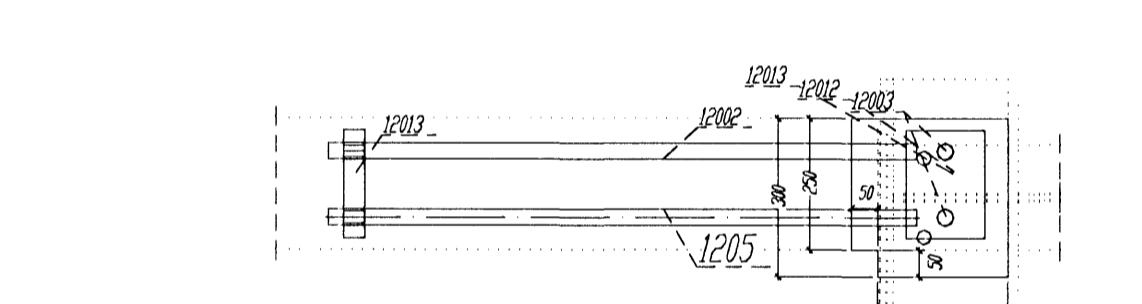
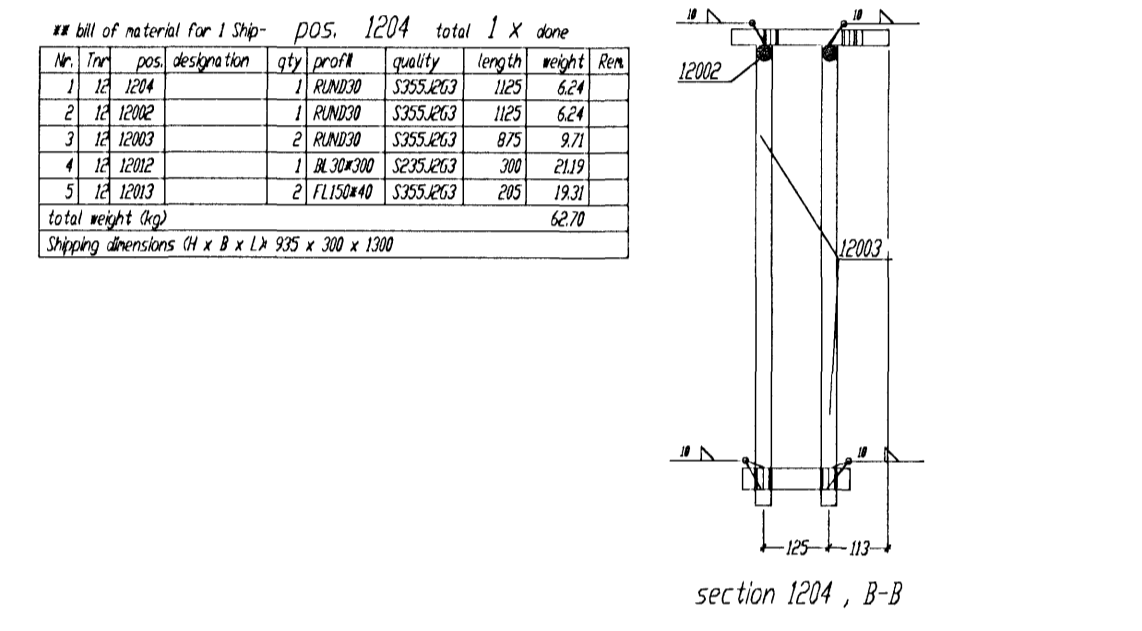
Bill of material for 1 Ship- POS. 1203 total 2 X done

Nr	Pos	Designation	Qty	Profile	Quality	Length	Weight	Dim
1	1203	1 HE300	1	HE300	S235JR	160	427	
2	1205	2 RUND24	2	RUND24	S355J2G3	1000	710	
3	1208	1 RUND24	1	RUND24	S355J2G3	250	1849	
4	1205	1 FL70x25	1	FL70x25	S355J2G3	254	234	
Total weight (kg)							1600	
Shipping dimensions (l x b x h) x L x B x H x 1000								



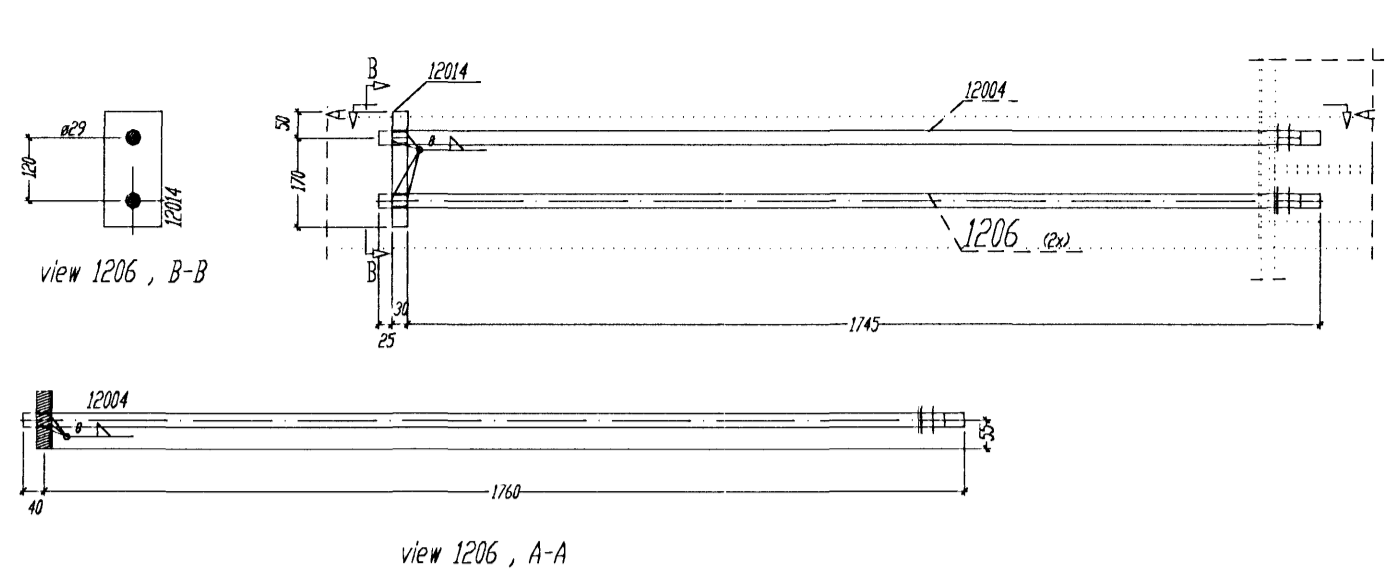
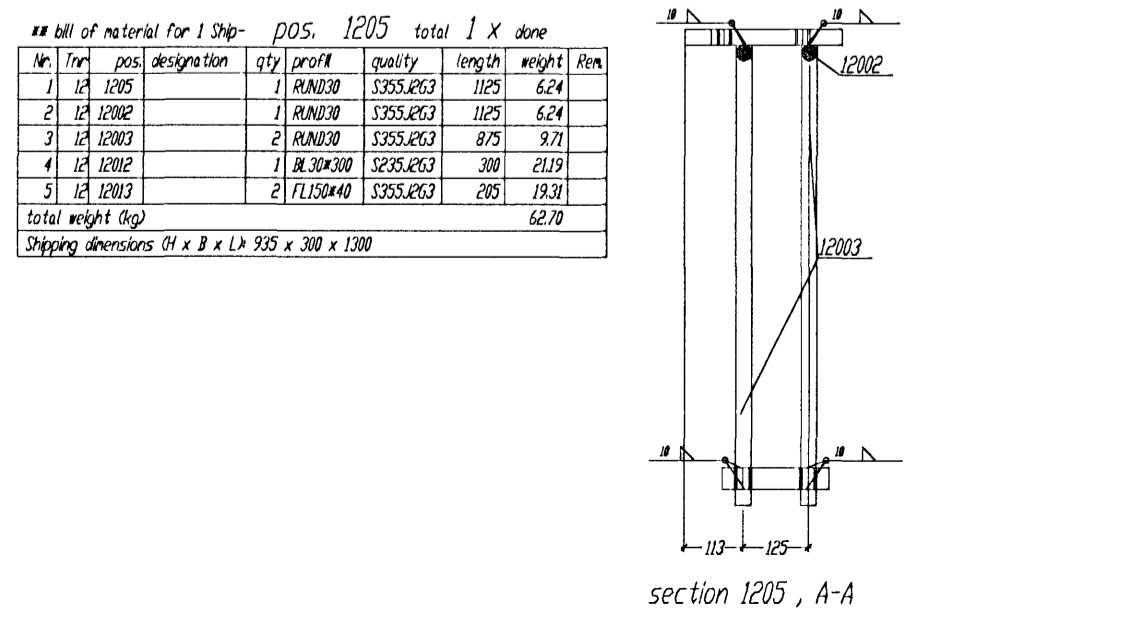
Bill of material for 1 Ship- POS. 1204 total 1 X done

Nr	Pos	Designation	Qty	Profile	Quality	Length	Weight	Dim
1	1204	1 RUND24	1	RUND24	S355J2G3	1000	710	
2	1202	1 RUND24	1	RUND24	S355J2G3	1000	710	
3	1207	2 RUND24	2	RUND24	S355J2G3	1000	710	
4	1202	1 RUND24	1	RUND24	S355J2G3	250	1849	
5	1207	2 FL70x25	2	FL70x25	S355J2G3	250	1849	
Total weight (kg)							6270	
Shipping dimensions (l x b x h) x L x B x H x 1000								



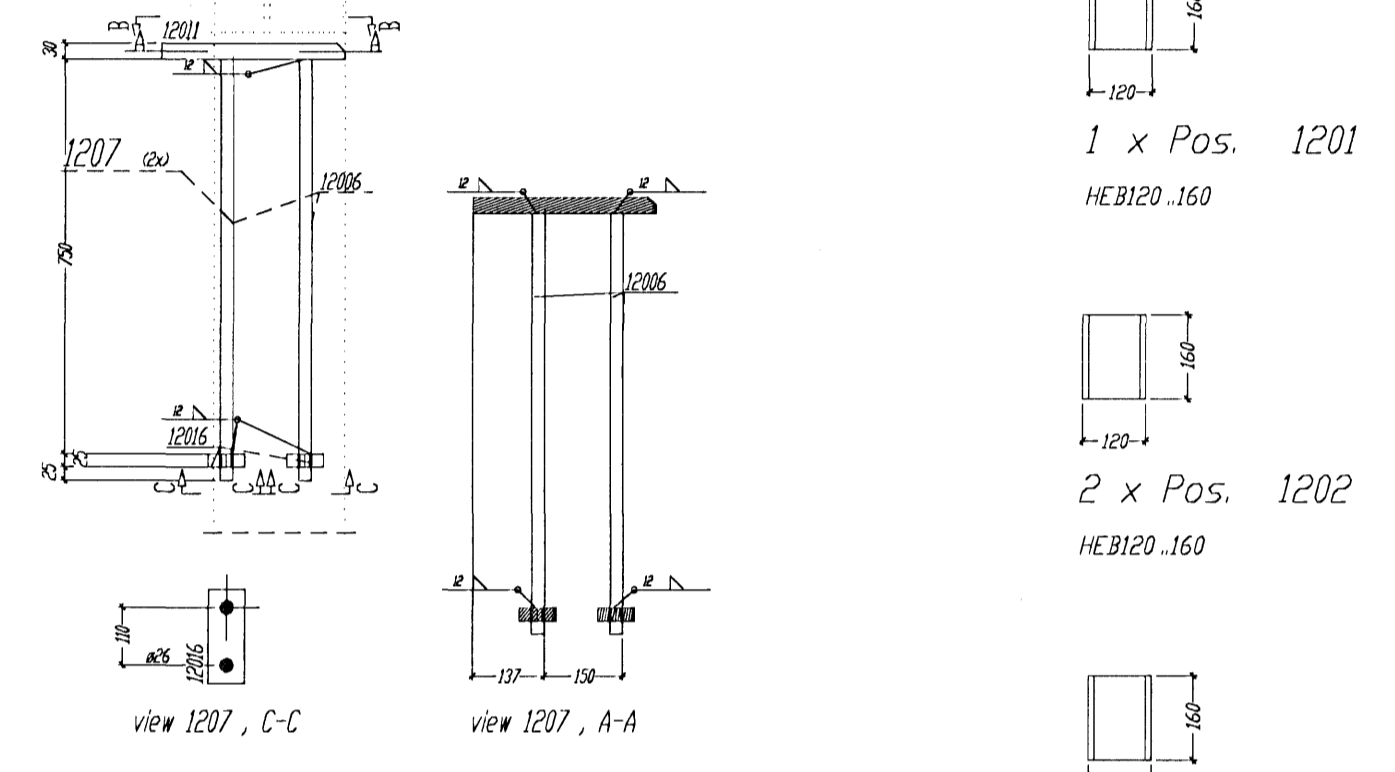
Bill of material for 1 Ship- POS. 1205 total 1 X done

Nr	Pos	Designation	Qty	Profile	Quality	Length	Weight	Dim
1	1205	1 RUND24	1	RUND24	S355J2G3	1000	710	
2	1202	1 RUND24	1	RUND24	S355J2G3	1000	710	
3	1207	2 RUND24	2	RUND24	S355J2G3	1000	710	
4	1202	1 RUND24	1	RUND24	S355J2G3	250	1849	
5	1207	2 FL70x25	2	FL70x25	S355J2G3	250	1849	
Total weight (kg)							6270	
Shipping dimensions (l x b x h) x L x B x H x 1000								



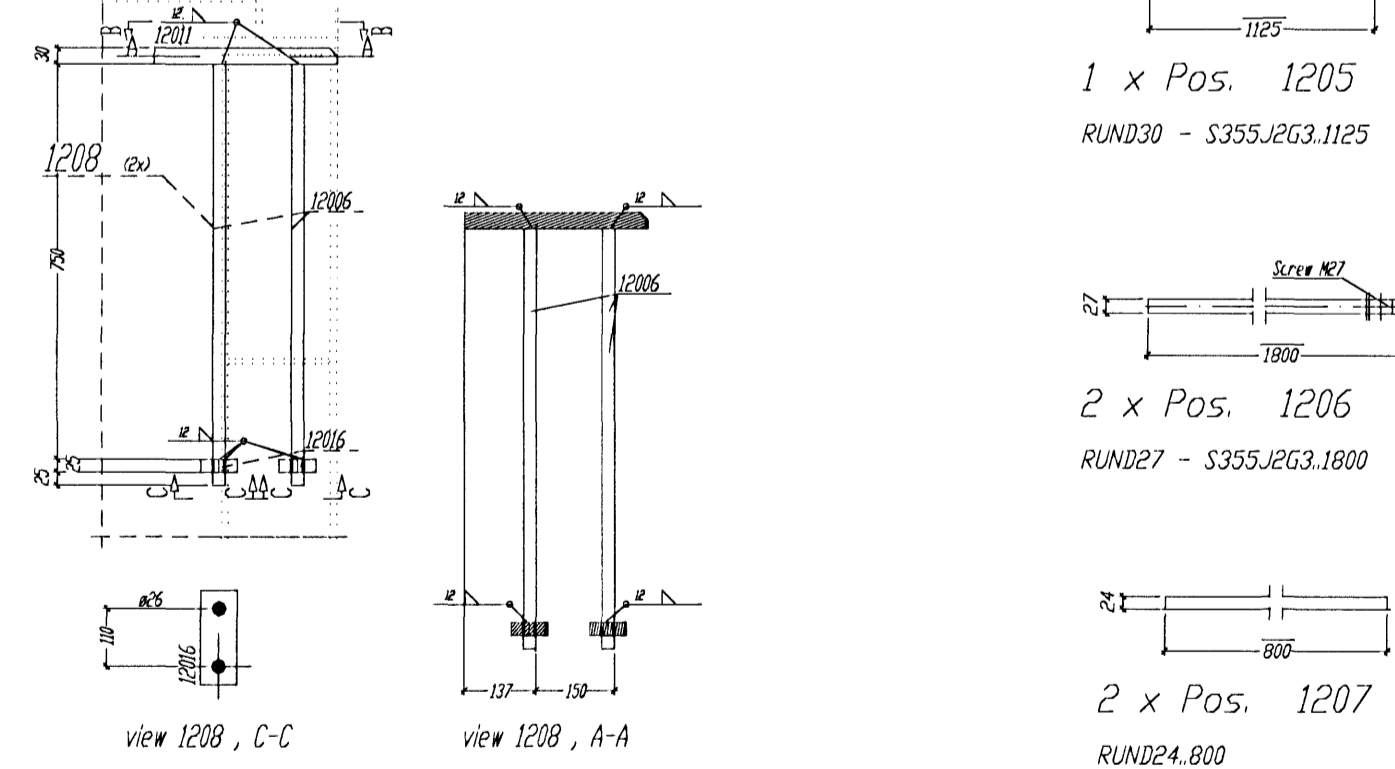
Bill of material for 1 Ship- POS. 1206 total 2 X done

Nr	Pos	Designation	Qty	Profile	Quality	Length	Weight	Dim
1	1206	1 RUND27	1	RUND27	S355J2G3	1000	829	
2	1204	2 RUND24	2	RUND24	S355J2G3	1000	710	
3	1204	1 FL70x25	1	FL70x25	S355J2G3	250	1849	
Total weight (kg)							2100	
Shipping dimensions (l x b x h) x L x B x H x 1000								



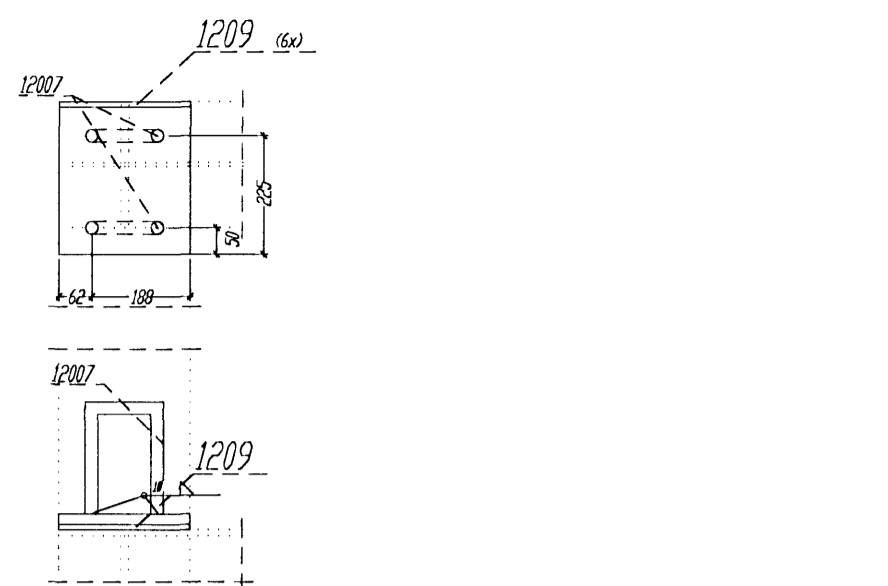
Bill of material for 1 Ship- POS. 1207 total 2 X done

Nr	Pos	Designation	Qty	Profile	Quality	Length	Weight	Dim
1	1207	1 RUND24	1	RUND24	S355J2G3	1000	710	
2	1206	2 RUND24	2	RUND24	S355J2G3	1000	710	
3	1204	1 RUND24	1	RUND24	S355J2G3	250	1849	
4	1205	2 FL70x25	2	FL70x25	S355J2G3	250	1849	
Total weight (kg)							3632	
Shipping dimensions (l x b x h) x L x B x H x 1000								



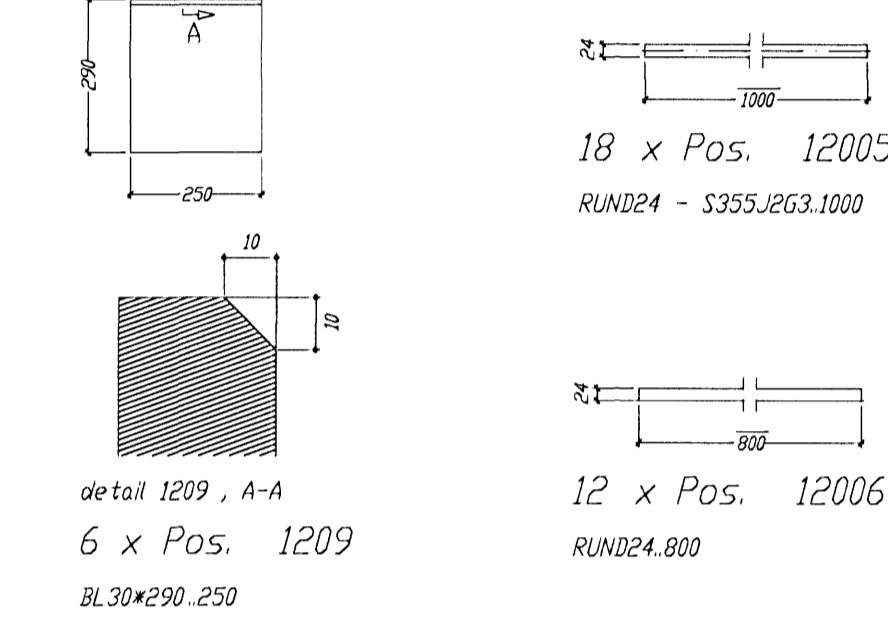
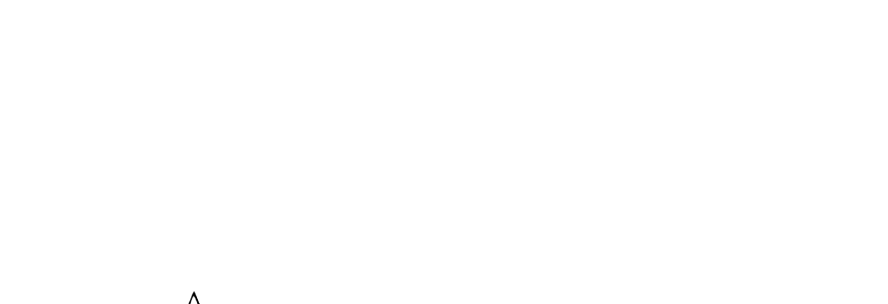
Bill of material for 1 Ship- POS. 1208 total 2 X done

Nr	Pos	Designation	Qty	Profile	Quality	Length	Weight	Dim
1	1208	1 RUND24	1	RUND24	S355J2G3	1000	710	
2	1206	2 RUND24	2	RUND24	S355J2G3	1000	710	
3	1207	1 RUND24	1	RUND24	S355J2G3	250	1849	
4	1205	2 FL70x25	2	FL70x25	S355J2G3	250	1849	
Total weight (kg)							4051	
Shipping dimensions (l x b x h) x L x B x H x 1000								



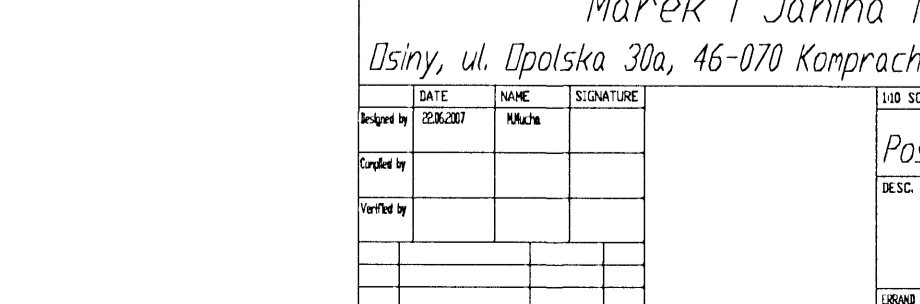
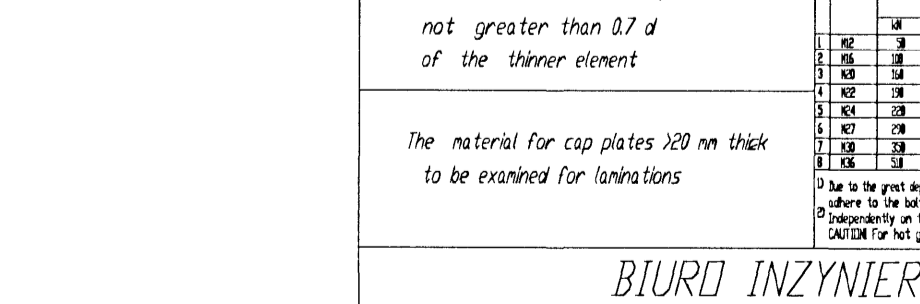
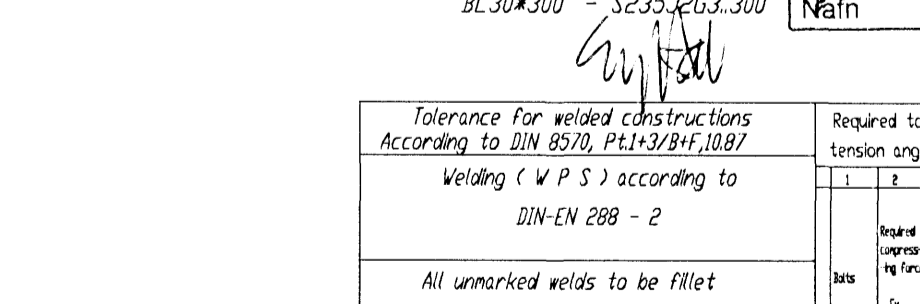
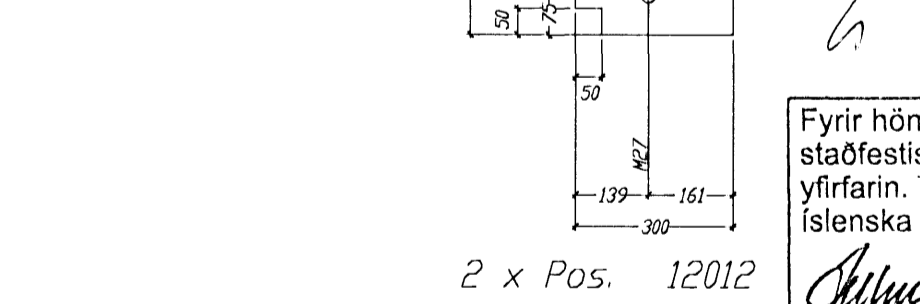
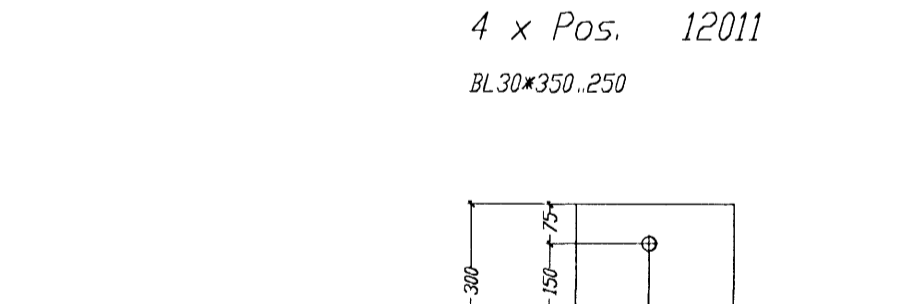
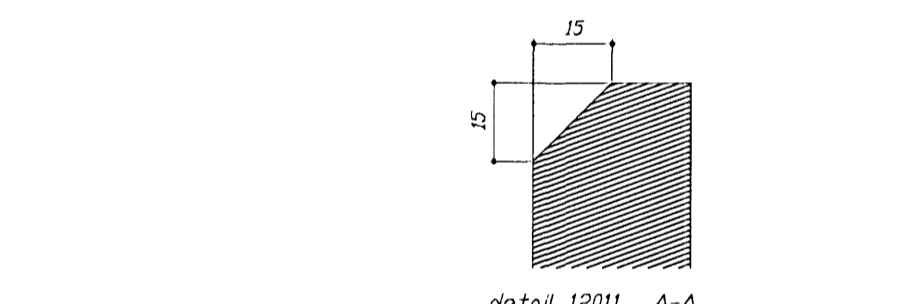
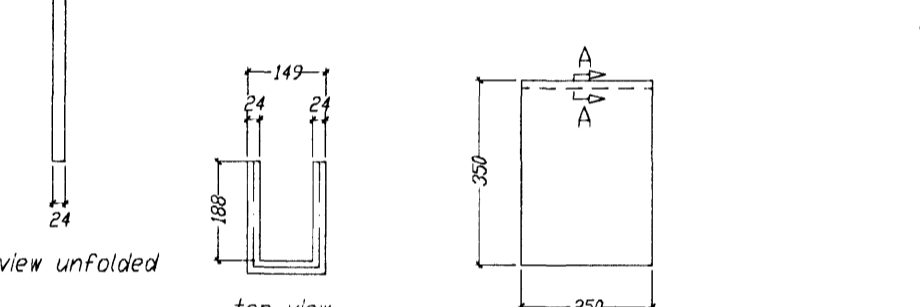
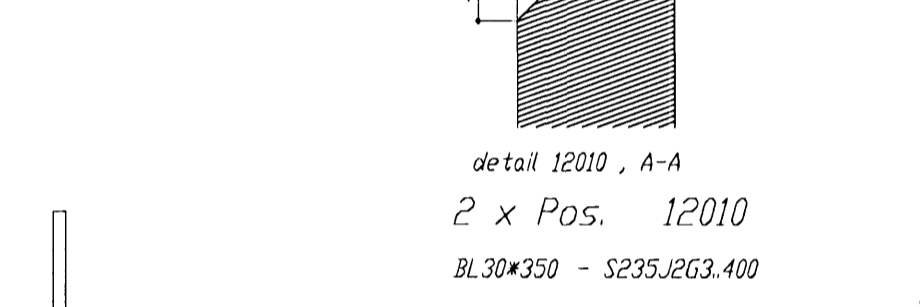
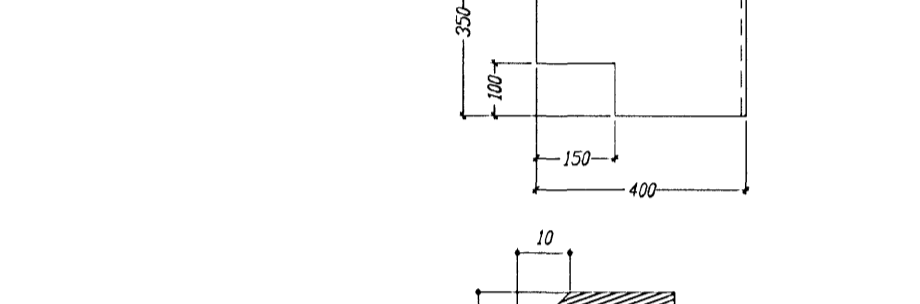
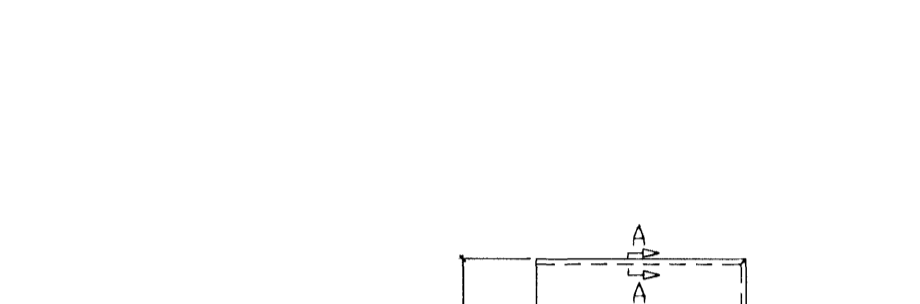
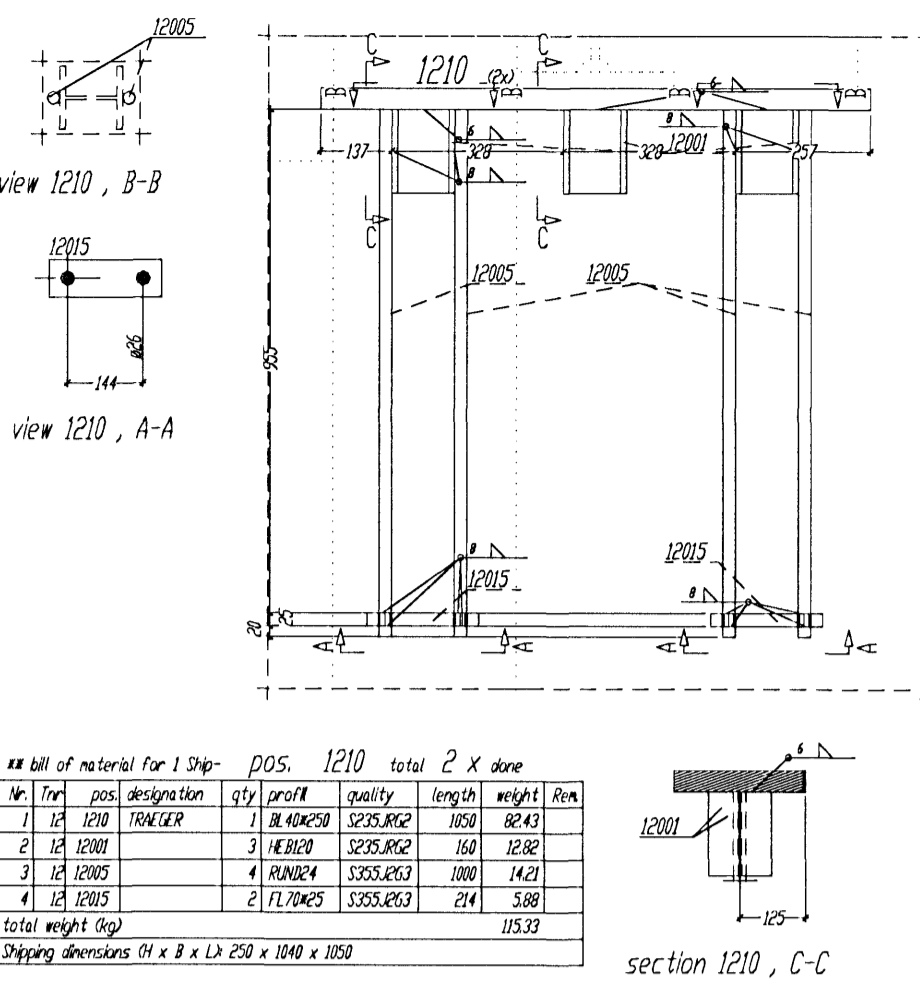
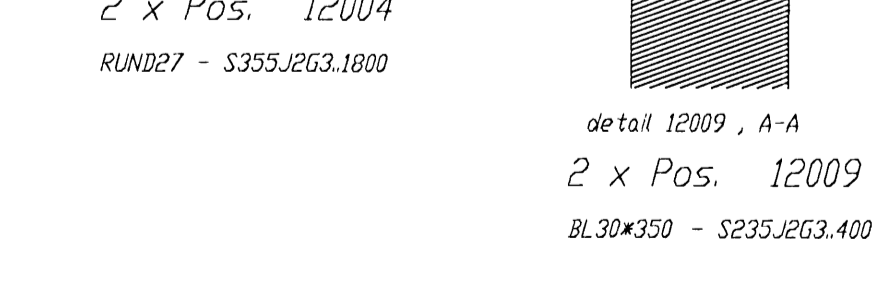
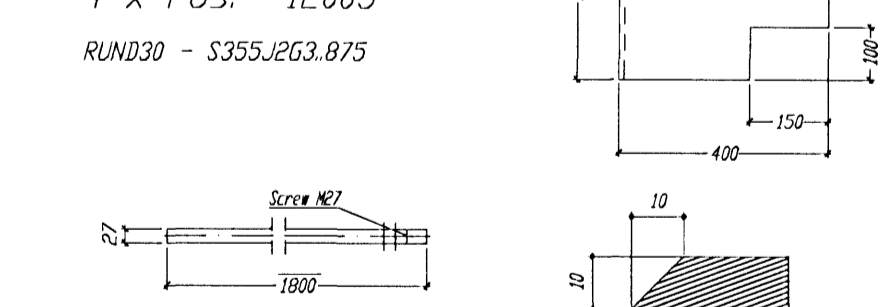
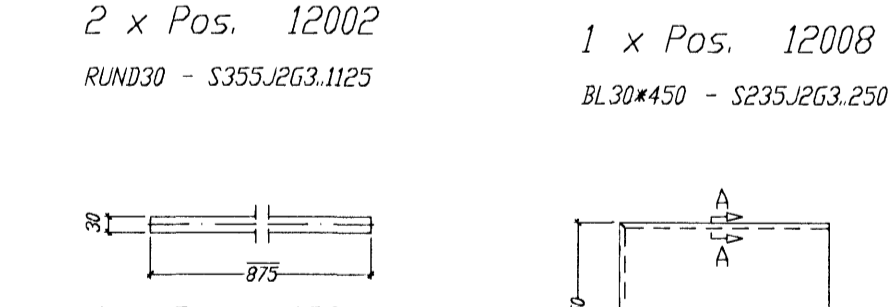
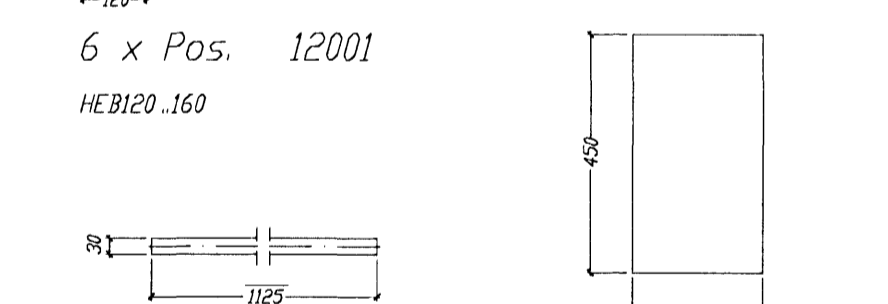
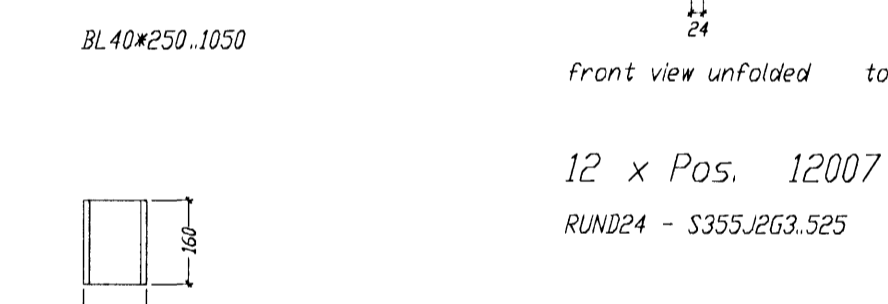
Bill of material for 1 Ship- POS. 1209 total 6 X done

Nr	Pos	Designation	Qty	Profile	Quality	Length	Weight	Dim
1	1209	1 RUND24	1	RUND24	S355J2G3	1000	710	
2	1209	2 RUND24	2	RUND24	S355J2G3	1000	710	
Total weight (kg)							2010	
Shipping dimensions (l x b x h) x L x B x H x 1000								



Bill of material for 1 Ship- POS. 1210 total 2 X done

Nr	Pos	Designation	Qty	Profile	Quality	Length	Weight	Dim
1	1210	1 RUND24	1	RUND24	S355J2G3	1000	710	
2	1210	2 RUND24	2	RUND24	S355J2G3	1000	710	
Total weight (kg)							1153	
Shipping dimensions (l x b x h) x L x B x H x 1000								



- 1 x Pos. 1201
HEB120-160
- 2 x Pos. 1202
HEB120-160
- 2 x Pos. 1207
HEB120-160
- 1 x Pos. 1204
RUND30 - S355J2G3.1125
- 1 x Pos. 1205
RUND30 - S355J2G3.1125
- 2 x Pos. 1206
RUND27 - S355J2G3.1800
- 4 x Pos. 1203
RUND30 - S355J2G3.875
- 2 x Pos. 1207
RUND24-800
- 2 x Pos. 1208
RUND24-800
- 2 x Pos. 1209
RUND27 - S355J2G3.1800
- 2 x Pos. 1210
BL40*250-1050
- 18 x Pos. 12005
RUND24 - S355J2G3.1000
- 12 x Pos. 12006
RUND24-800
- 12 x Pos. 12007
RUND24 - S355J2G3.525
- 6 x Pos. 12001
HEB120-160
- 2 x Pos. 12002
RUND30 - S355J2G3.1125
- 4 x Pos. 12003
RUND30 - S355J2G3.875
- 2 x Pos. 12004
RUND27 - S355J2G3.1800
- 2 x Pos. 12009
BL30*350 - S235J2G3.400
- 4 x Pos. 12013
FL150*40 - S355J2G3.205
- 2 x Pos. 12014
FL110*30 - S355J2G3.220
- 9 x Pos. 12015
FL70*25 - S355J2G3.214
- 8 x Pos. 12016
FL70*25-180

Fyrir hönd Conis ehf. kt. 600105-1400
staðfestist að teikning þessi hefur verið
yfirlit. Teikningin er í samræmi við
íslenska staðla og reglugerðir. 23/9/07
Járn 130657-44379
Kennitala

Tolerance for welded constructions
According to EN 1090-1, EN 1090-2
Welding (W P S) according to
EN-EN 288 - 2

Required torques, prestressing forces and forced
tension angles according to EN 1993 Pt. 1, 8.5.3

Weld	Weld type	Weld position	Weld thickness	Weld length	Weld width	Welding process		Welding parameters		Welding quality	
						Welding process	Welding parameters	Welding quality	Welding quality		
1	1	1	1	1	1	1	1	1	1	1	1

The material for cap plates 1209 mm thick
to be examined for lamellar defects

BIURO INŻYNIERSKIE
Marek i Janina MUCHA
Dzielnia, ul. Polska 30a, 46-070 Komprachcice tel.077-46 46 757

DATE: 18 FEB 2008
SCALE: 1:1
Pos. 1201-1210, 12001-12016
TJARNARVELLIR 11
FUNDAMENT BOLTAR
1202